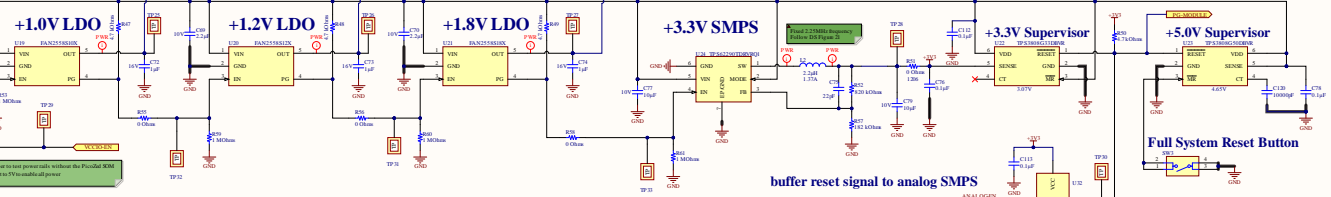
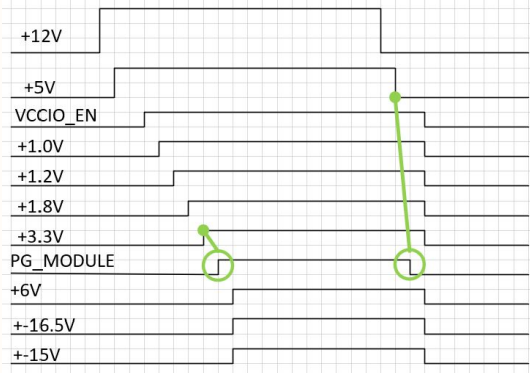


5V power input from toplevel

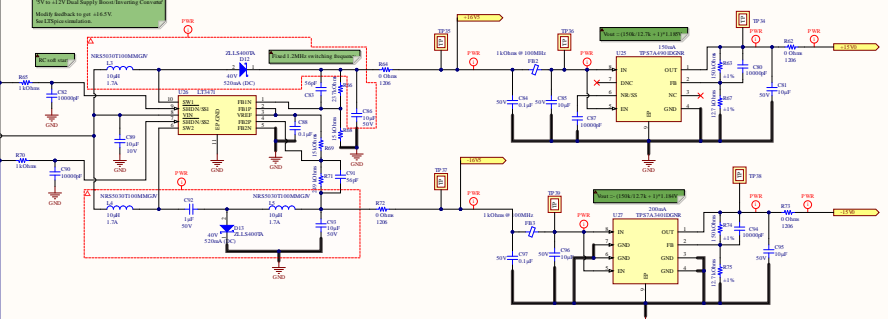
### I/O Supplies for PicoZed Board and Logic Translators



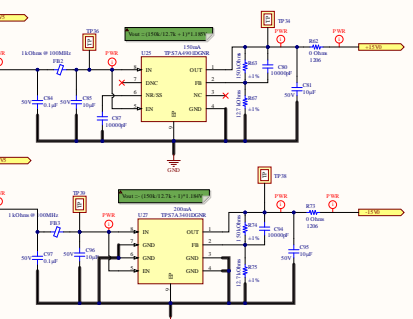
### Power Supply Sequence with Critical RESET Timing Marked



### +16.5V Split Rail SMPS for Analog Modules



### +15V Split Rail for Analog Circuits on Carrier



### +6V SMPS for Analog Modules

