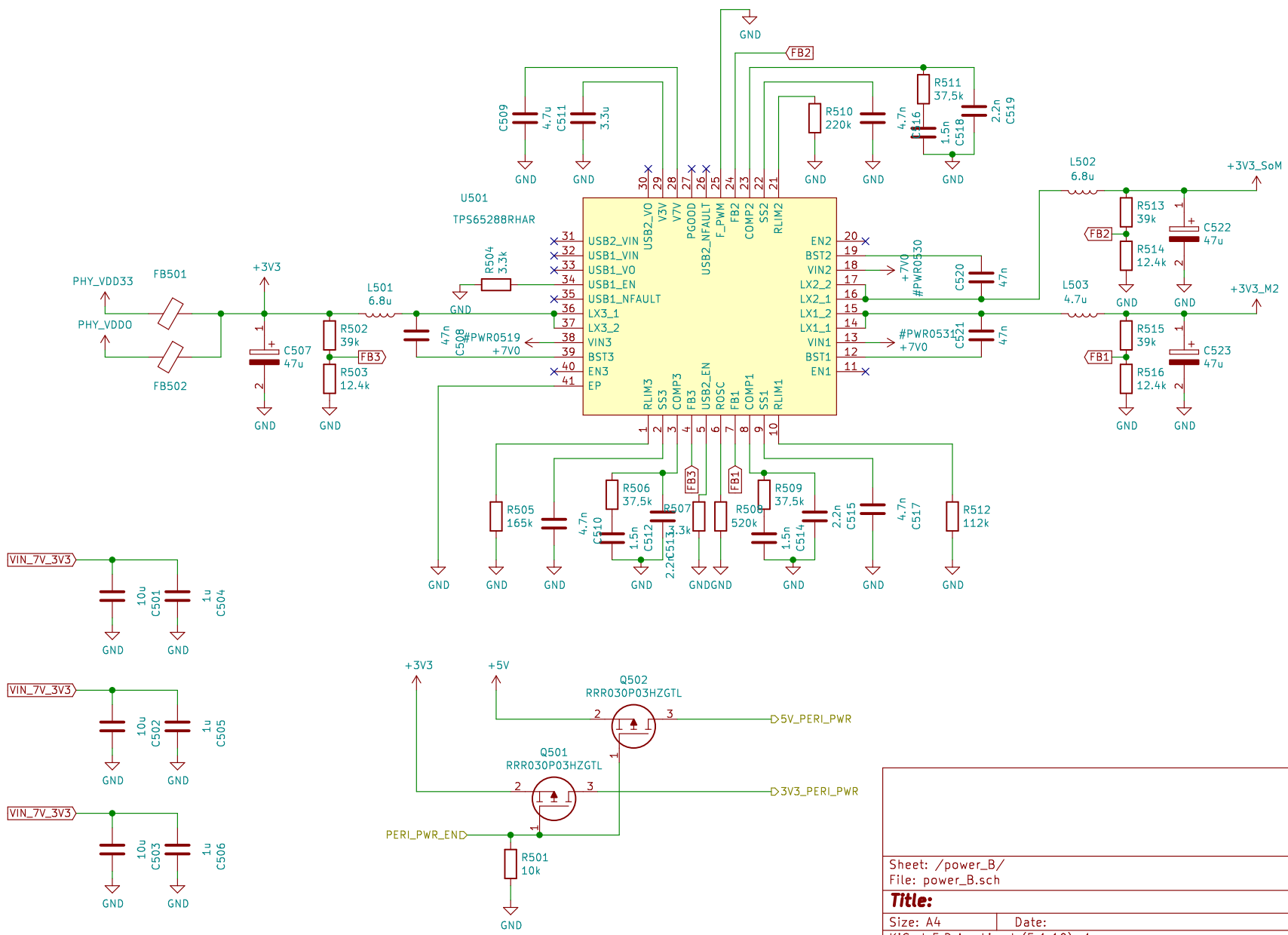


fsw = 400kHz  
 ENx pins: left to O.C due to integrated 1 MΩ pull-up to the 3V3 rail  
 Vfb = 0.8V



Sheet: /power_B/		File: power_B.sch	
<b>Title:</b>			
Size: A4	Date:	Rev:	
KiCad E.D.A. kicad (5.1.10)-1			Id: 5/10