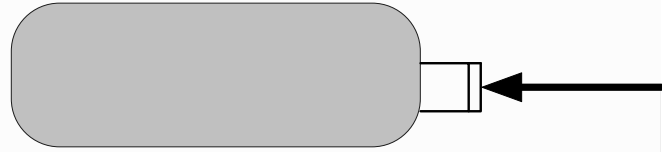
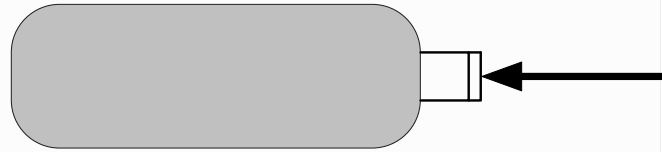


60W PD ENABLED INPUT SINK DEVICE

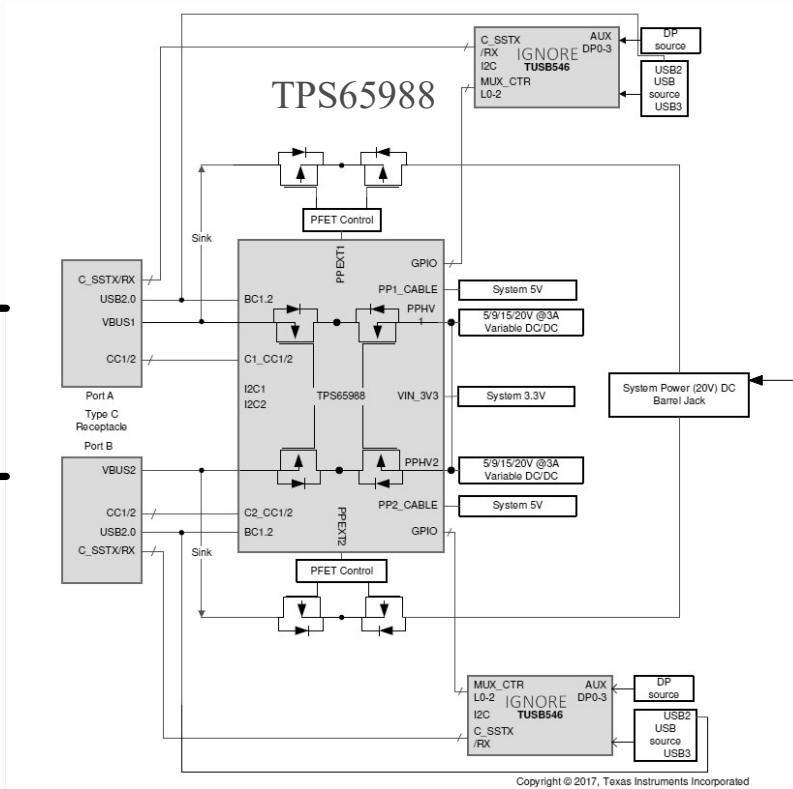


USB C PD ENABLED

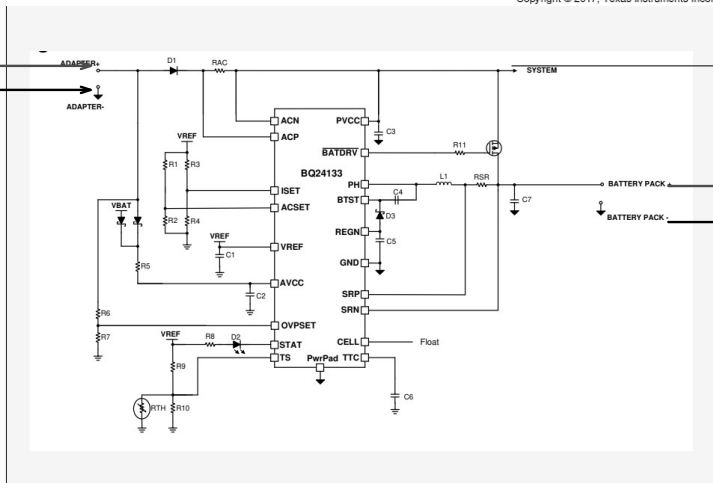


15W PD ENABLED INPUT SINK DEVICE

100W PD ADAPTER



Copyright © 2017, Texas Instruments Incorporated



BATTERY