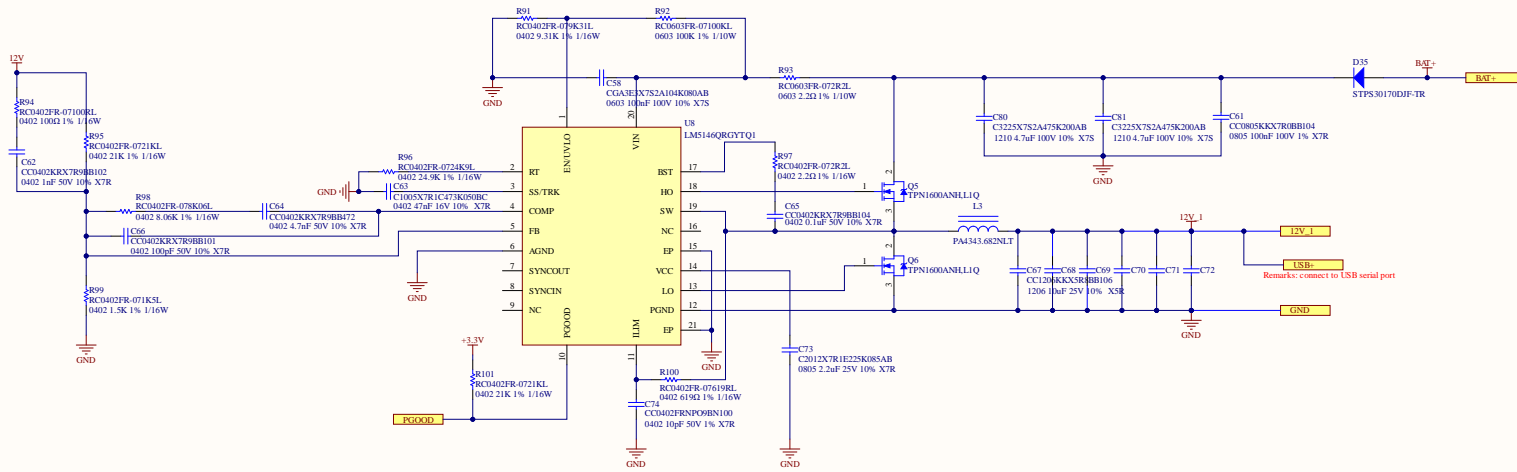
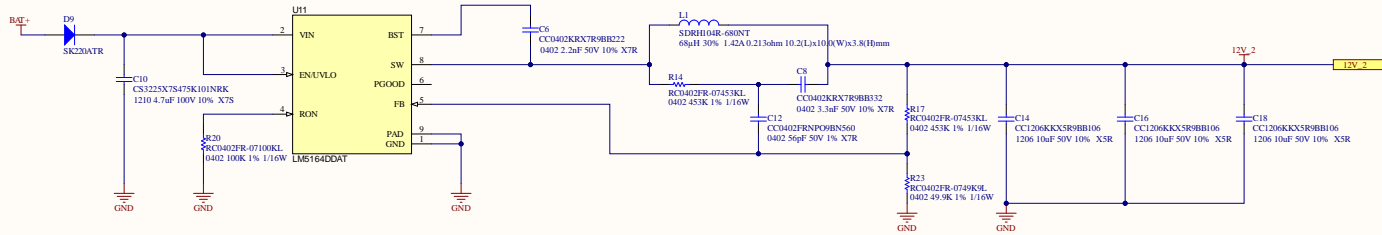


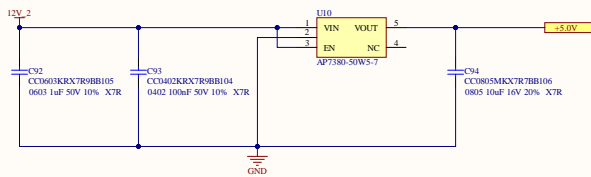
Remarks: DC-DC power conversion module



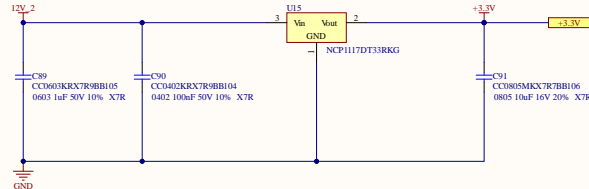
Remarks: DC-DC power conversion module



Remarks: Potentiometer power supply



Remarks: Power supply for MCU



Remarks: Reference voltage

