

NI = NOT INSTALLED

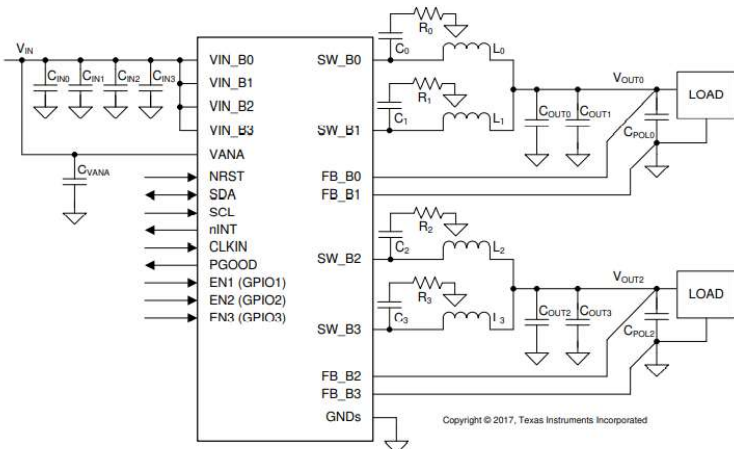
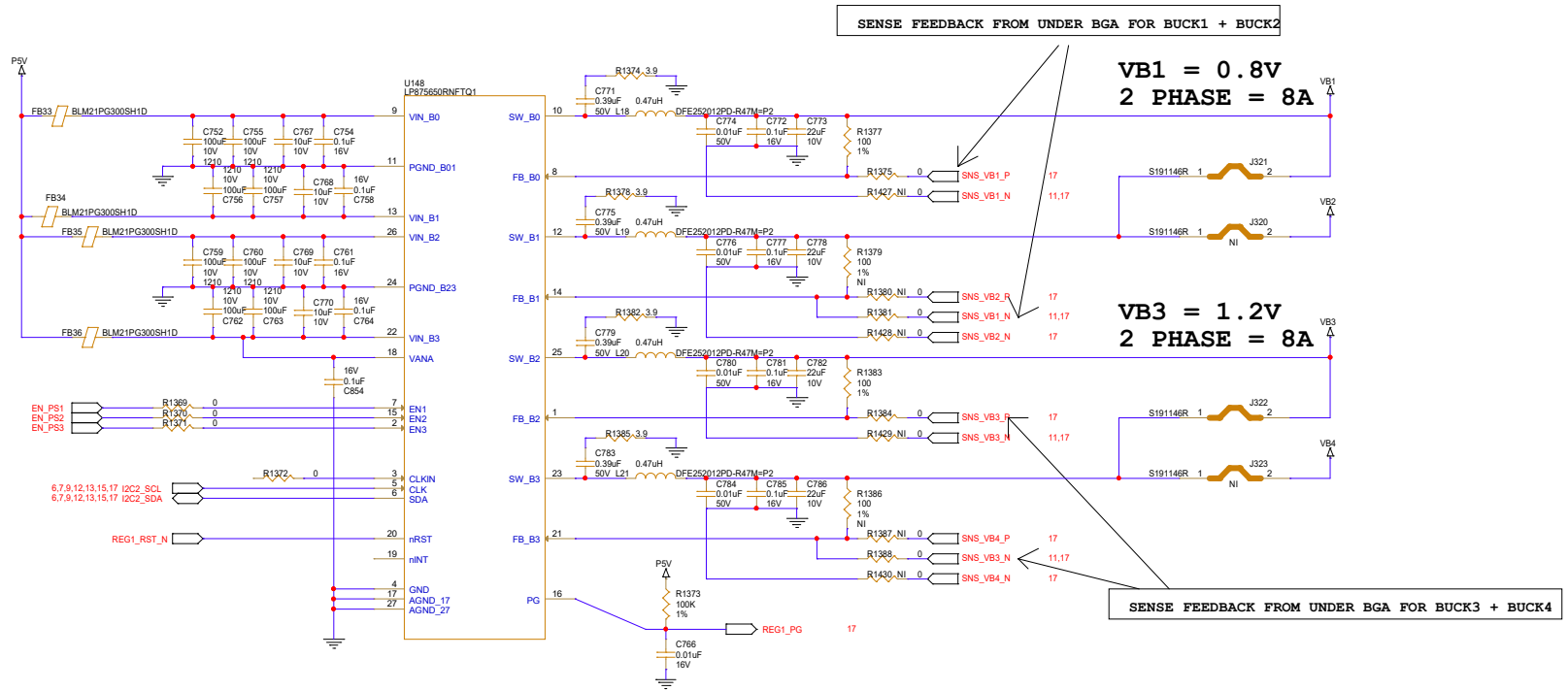


Figure 32. Two 2-Phase Configuration (LP87565-Q1)

Copyright © 2017, Texas Instruments Incorporated

