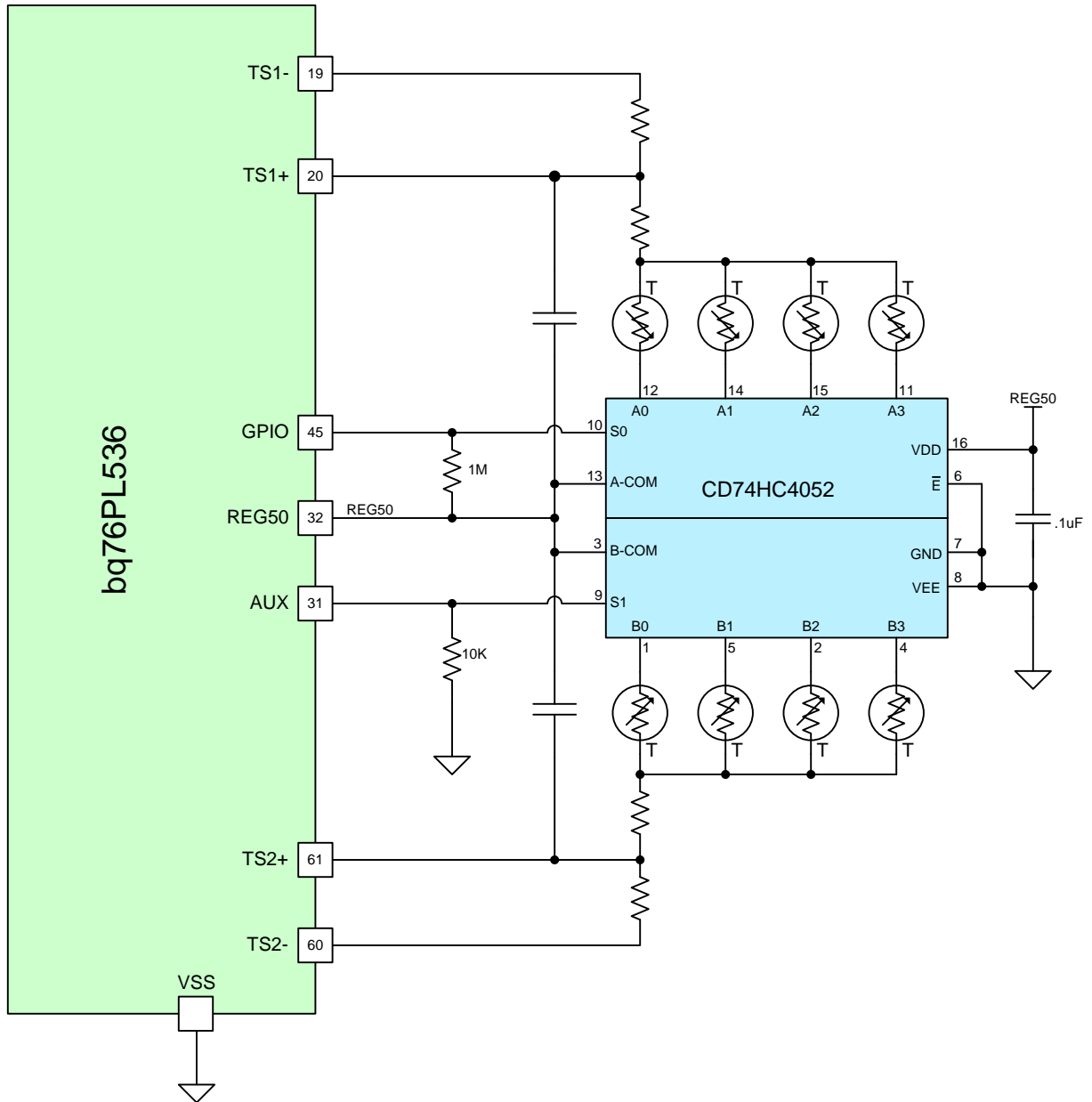


bq76PL536 8-Channel Thermistor Multiplexer



The AUX and GPIO outputs are used to create a 4-state code that controls a '4052 dual 4:1 multiplexer. The mux inputs are connected to 5V (REG50). The 0-1-2-3 outputs are enabled in turn by changing the code to power on a single thermistor to each TS input. Two temperatures are returned on each conversion cycle.