

5

4

3

2

1

D

D

C

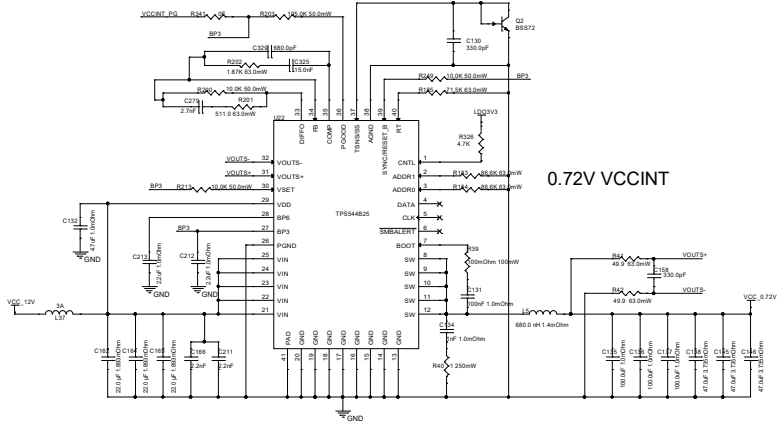
C

B

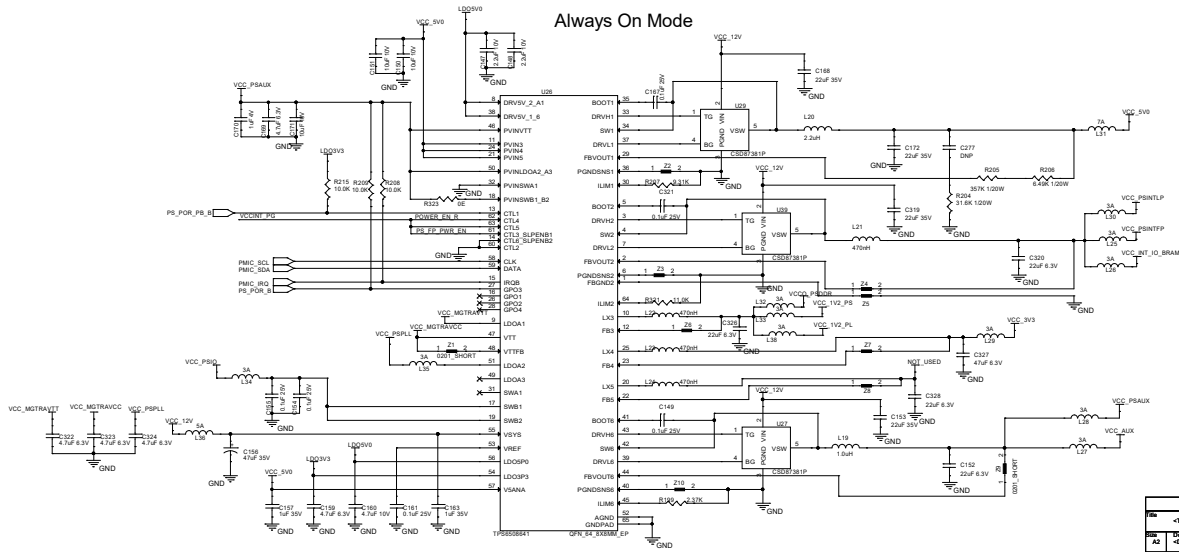
B

A

A



Always On Mode



Rev	<Tab>	
Revision Number		Rev 0
Doc	Monitor_Lechner_23_2019	Sheet 35 of 35