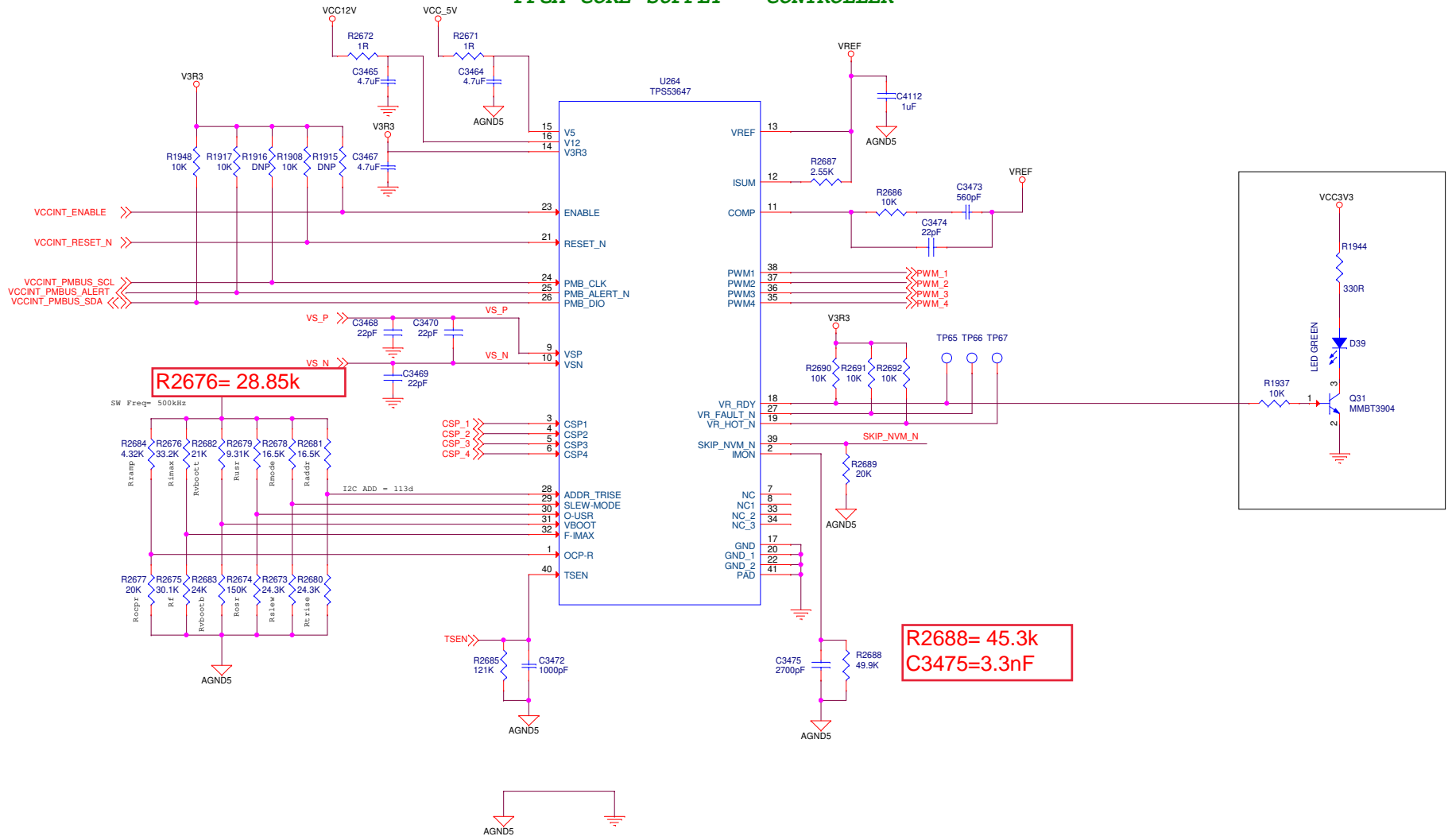


# FPGA CORE SUPPLY - CONTROLLER

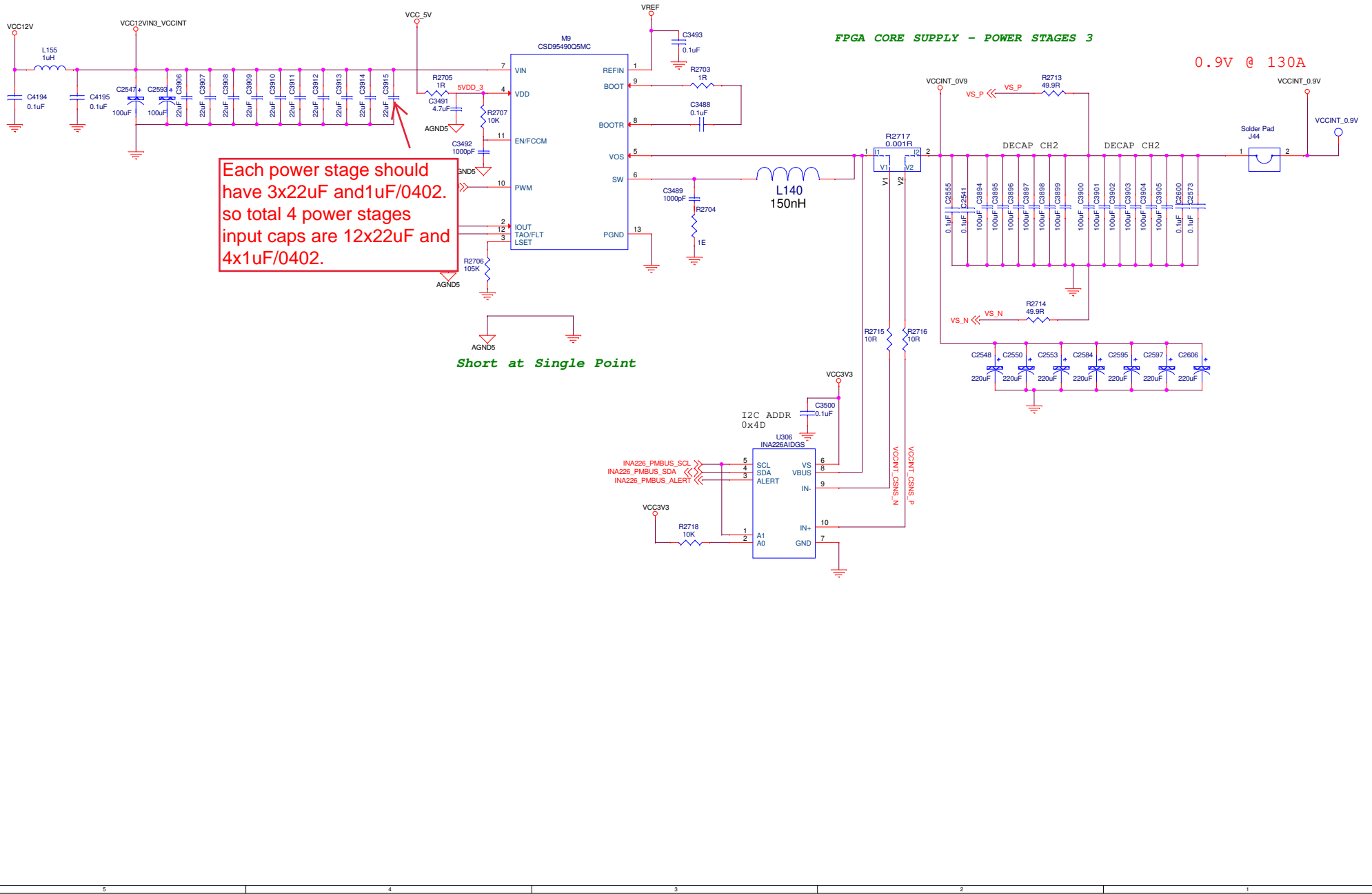


**R2676= 28.85k**

**R2688= 45.3k  
C3475=3.3nF**

**Short at Single Point**

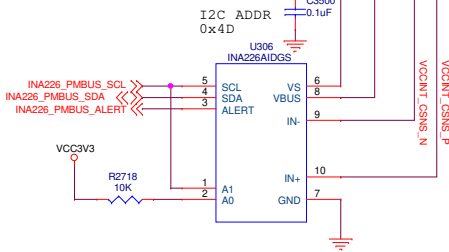
FPGA CORE SUPPLY - POWER STAGES 3



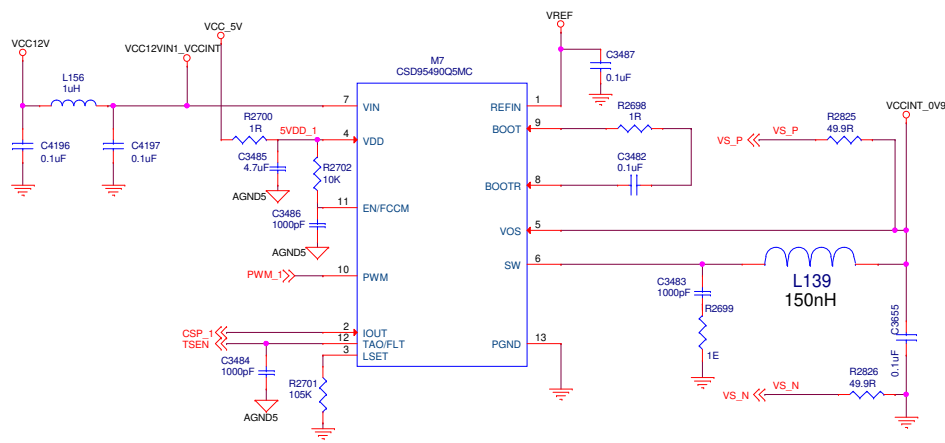
Each power stage should have 3x22uF and 1uF/0402. so total 4 power stages input caps are 12x22uF and 4x1uF/0402.

Short at Single Point

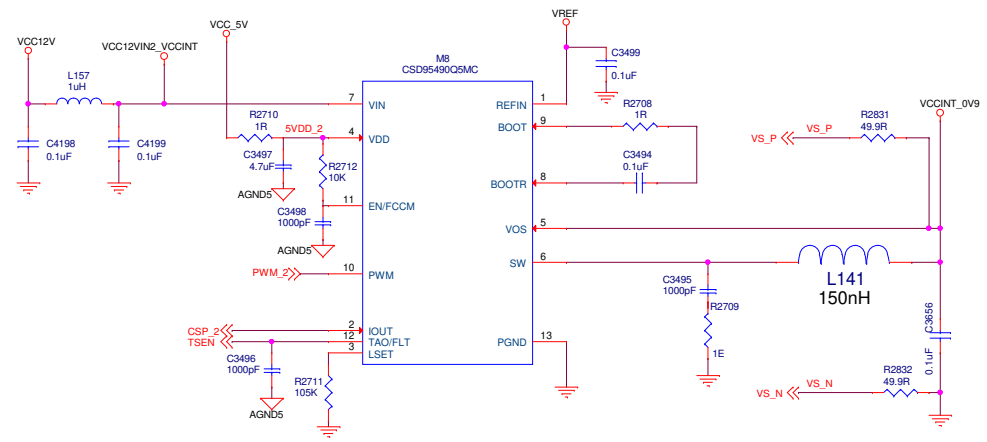
0.9V @ 130A



FPGA CORE SUPPLY - POWER STAGES 1



FPGA CORE SUPPLY - POWER STAGES 4



FPGA CORE SUPPLY - POWER STAGES 2

