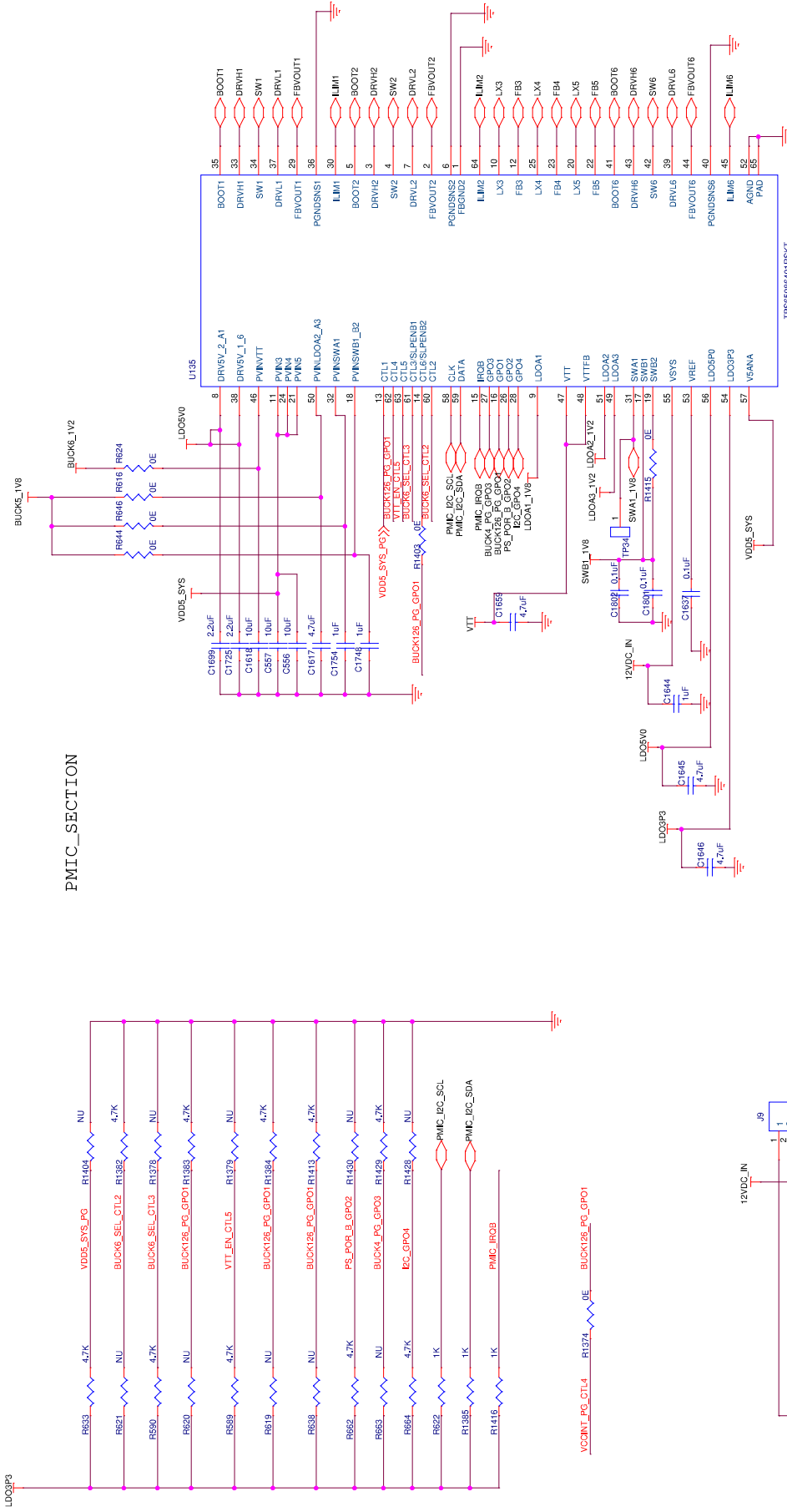
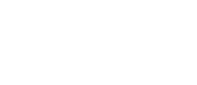


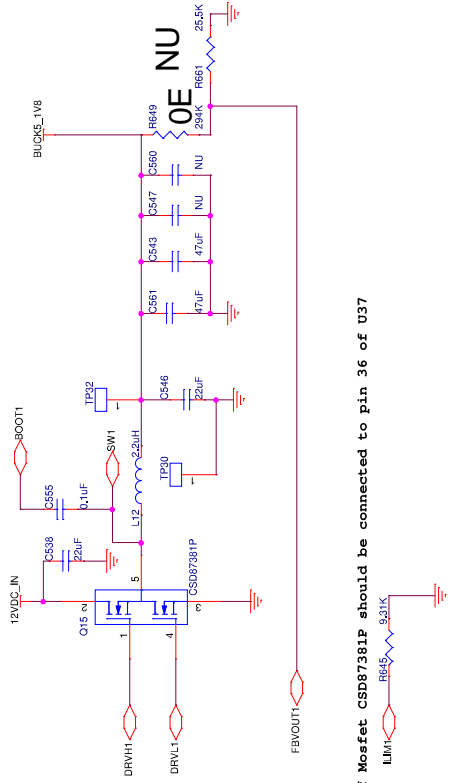
PMIC_SECTION



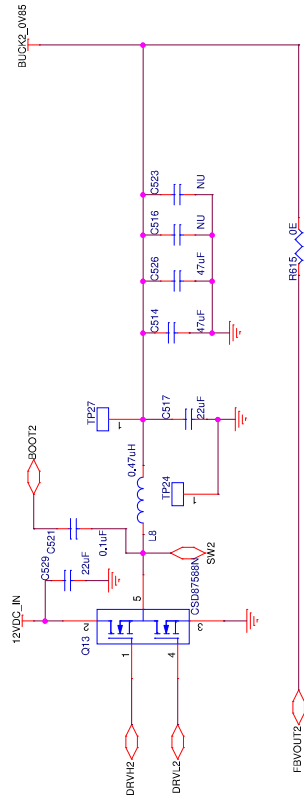
CHKD:	APPD:
CARD NAME: PINE CARD	ISSUE: 01
REV: 00	
DWG. NO.: EPC-PNEQ75/4-SE0	
CENTRE FOR DEVELOPMENT OF TELEMATICS-BELRI	
DATE: 13-02-2023	
SHEET: 52 OF 86	



PMIC_BUCK1_2_6

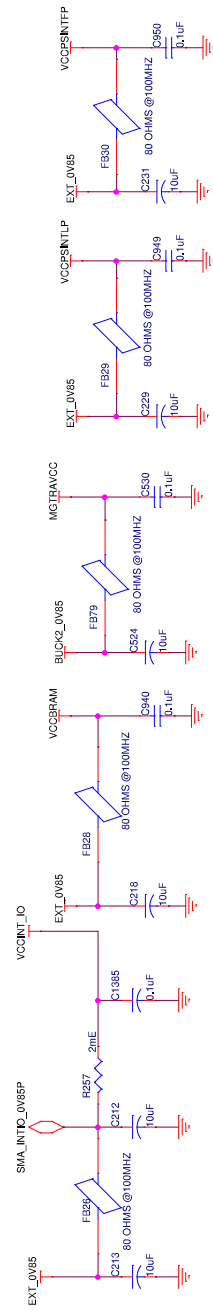


Pin3 of Mosfet CSD87381P should be connected to pin 36 of U37



Pin3 of Mosfet CSD87381P should be connected to pin 40 of U37

Pin3 of Mosfet CSD87381P should be connected to pin 6 of U37



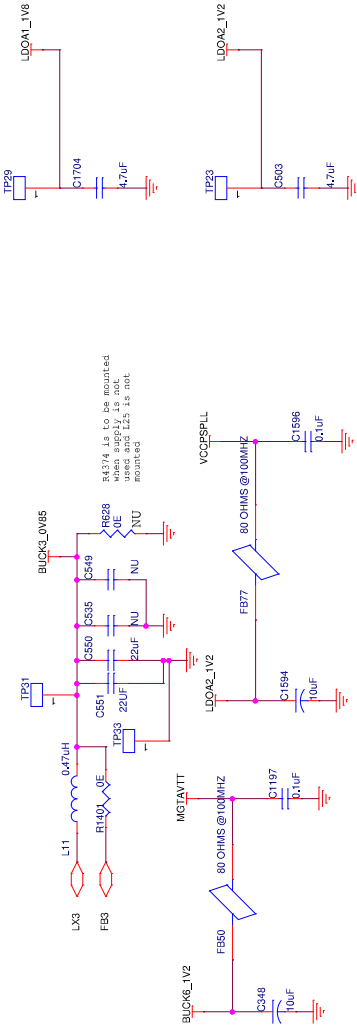
CHKD:	APPD:
CARD NAME: PINE CARD	ISSUE: 01
REV: 00	
DATE: 13-02-2023	
SHEET: 53 OF 86	

DMG. NO. : EPC-PNE075/J-SE0

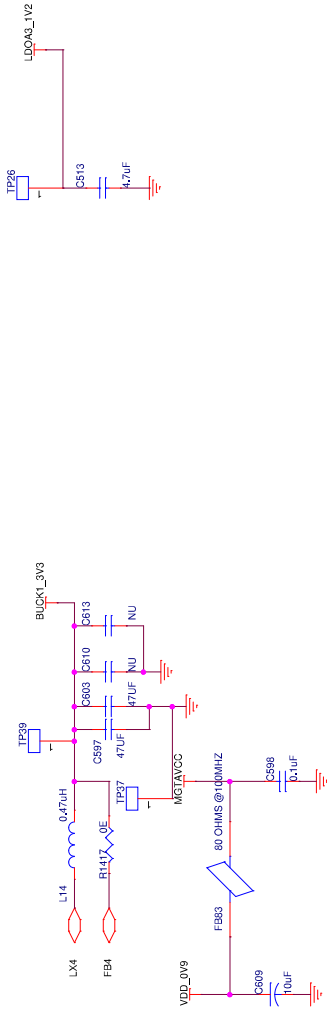
CENTRE FOR DEVELOPMENT OF TELEMATICS-DELHI



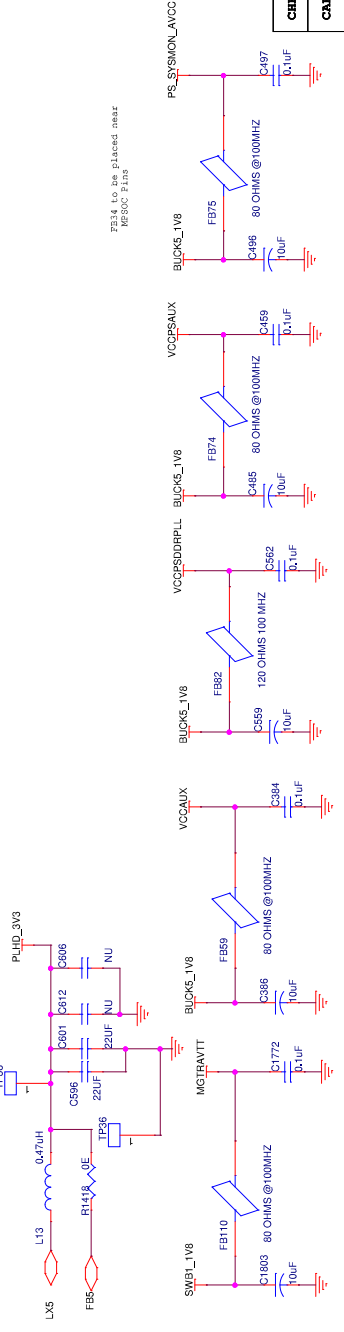
PMIC_BUCK_3,4,5



R4374 Is to be mounted when supply is not mounted



F314 to be placed near M69C pins



CHKD:	APPD:	ISSUE:	REV:
CARD NAME: PINE CARD		01	00
DWG. NO. : EPC-PNEQ75/J-SE0			
CENTRE FOR DEVELOPMENT OF TELEMATICS-DELHI			
DATE: 13-02-2023			
SHEET: 54 OF 86			