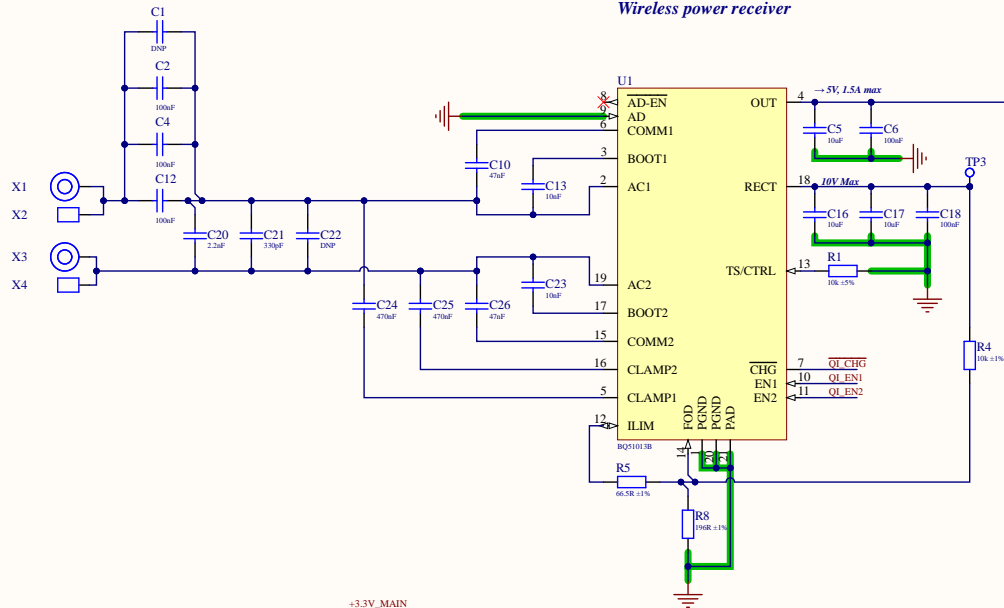
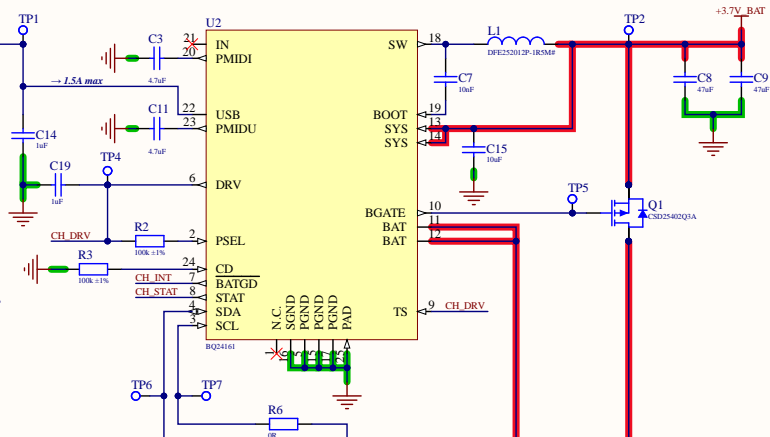


# Battery Charger

## Wireless power receiver

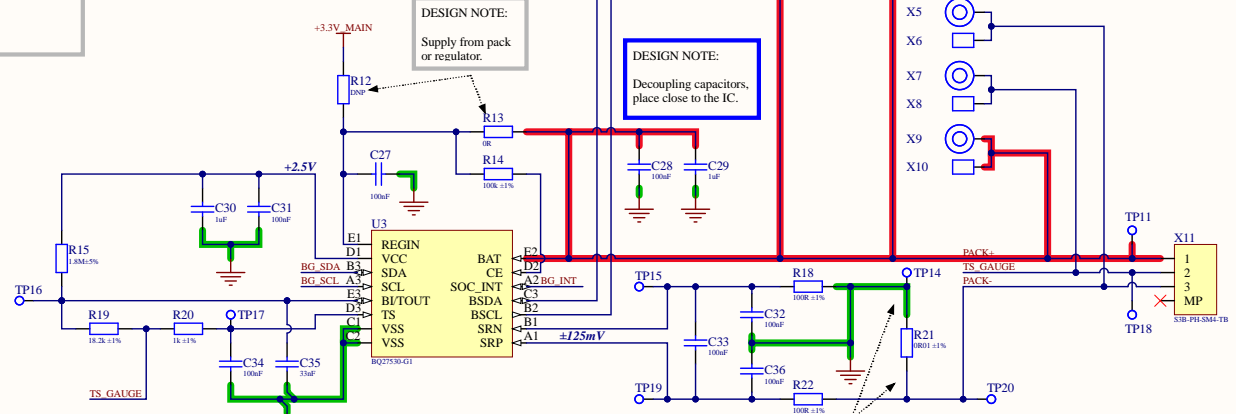


## Power path manager / battery charger



DESIGN NOTE:  
Push-pull outputs, [0.4...Vcc-0.5V].

## Battery fuel gauge



DESIGN NOTE:  
Supply from pack or regulator.

DESIGN NOTE:  
Decoupling capacitors, place close to the IC.

DESIGN NOTE:  
Use Kelvin connection.

DESIGN NOTE:  
 <EN1 EN2>  
 <00> Wireless charging is enabled unless AD voltage > V\_AD\_Pres.  
 <01> Dynamic communication current limit disabled.  
 <10> AD-EN pulled low, wireless charging disabled.  
 <11> Wired and wireless charging disabled.

