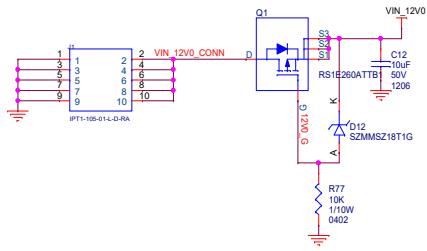
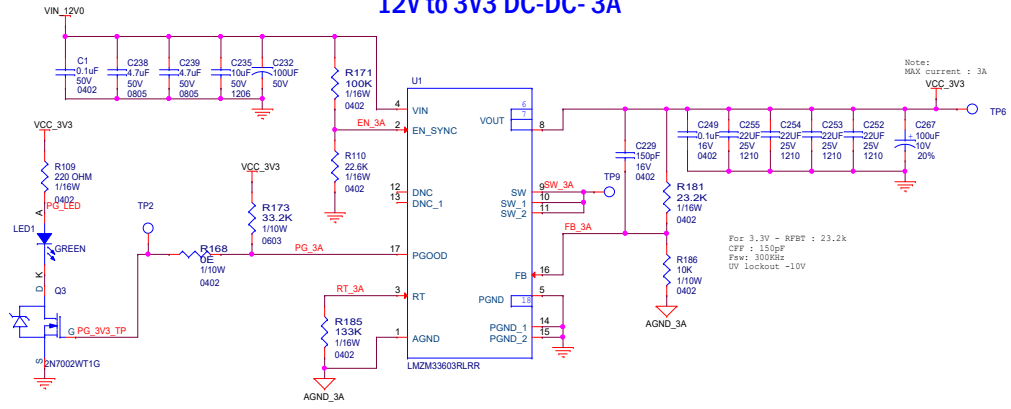


POWER

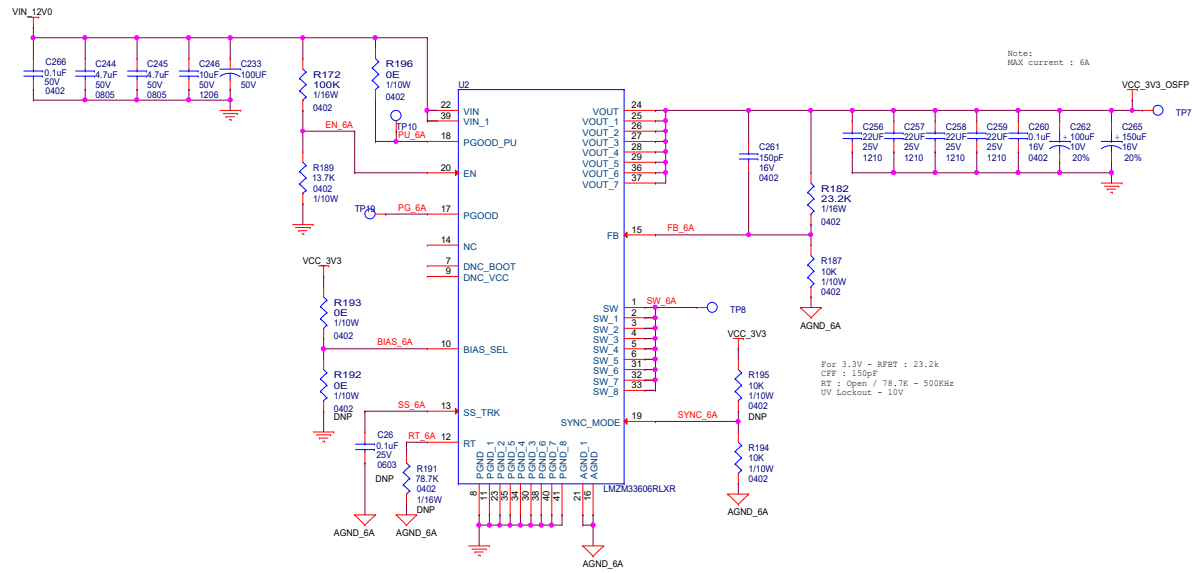
12V INPUT



12V to 3V3 DC-DC- 3A



12V to 3V3 DC-DC- 6A



File		
POWER SUPPLY		
Size	Document Number	Rev
C	0V1	1
Date:	Monday, June 22, 2020	Sheet 1 of 1