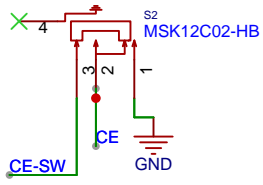
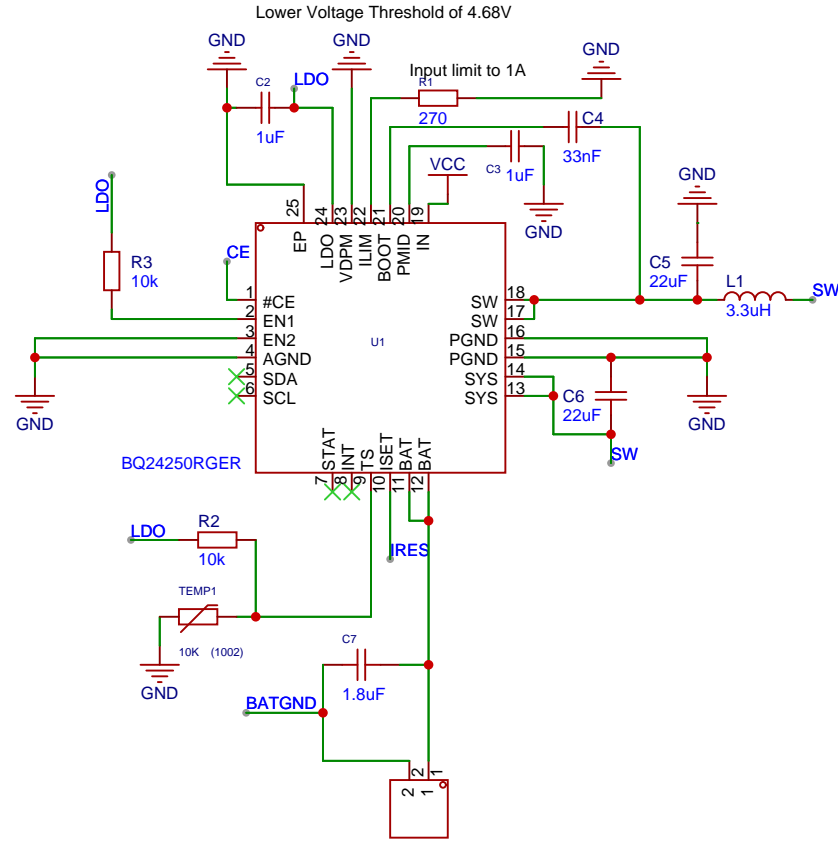
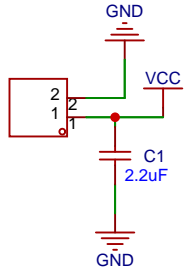
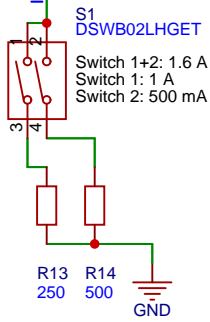


Charge Enable



CE low = enable charging  
 CE high = goes to I/O, can be programmed from there

ISET Current Programming Resistor



Schematic	Schematic1			Update Date	2024-06-21
				Create Date	2024-06-21
Page	Minimal-Example.Schematic1			Part Number	JLCPCB-002
Drawn	EasyEDA	powerbank-usv			
Reviewed	EasyEDA				
		VER	SIZE	PAGE	1 OF 1
EasyEDA		V0.1	A4	EasyEDA.com	