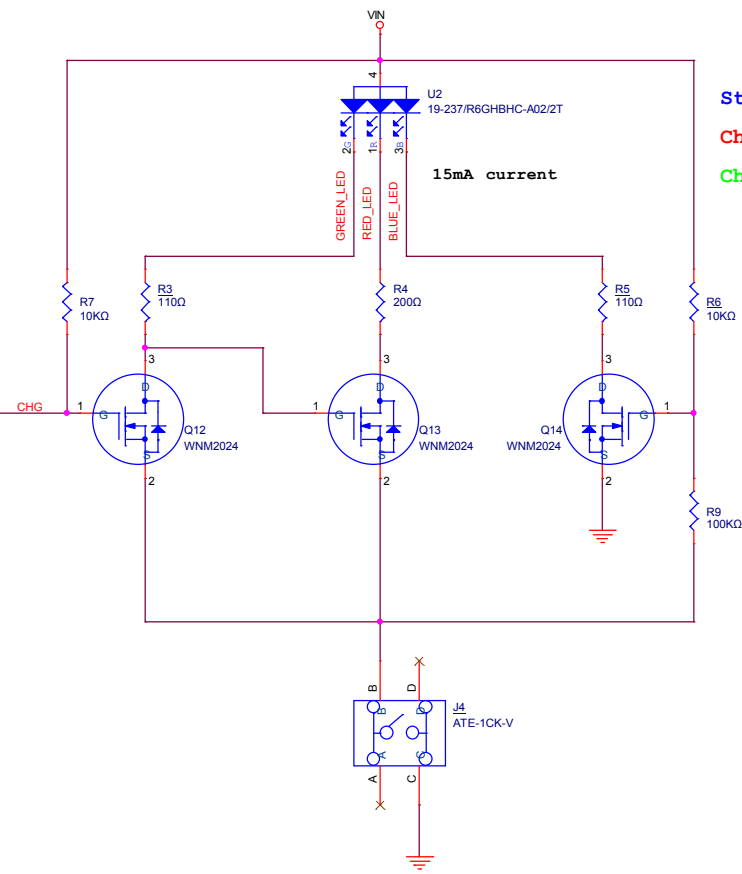
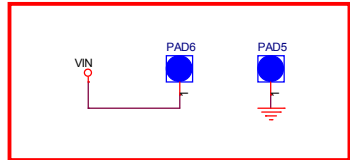
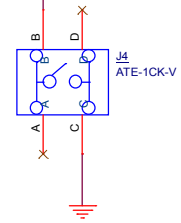


$R_{iset} = K_{iset} / I_{out} = 135 / 13m (0.2C) = 10.38K$
 For charge current that is below 50 mA, an extra RC circuit is recommended on ISET to achieve more stable current signal.

Bottom side



Stand by LED (BLUE)
 Charging LED (RED)
 Charging complete LED (GREEN)



Title		<Title>
Size	Document Number	Rev
	Custom-Doc	<Rev Code>
Date:	Thursday, November 12, 2020	Sheet 1 of 1