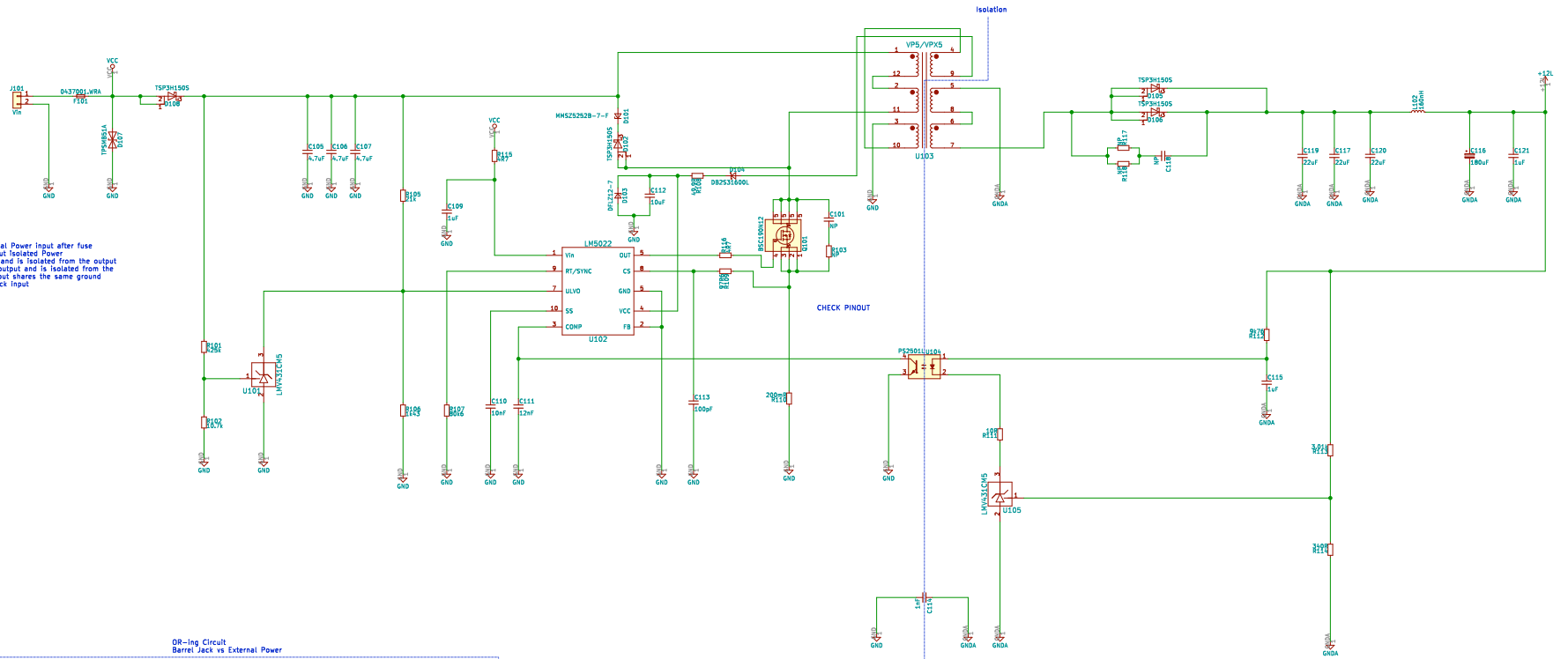
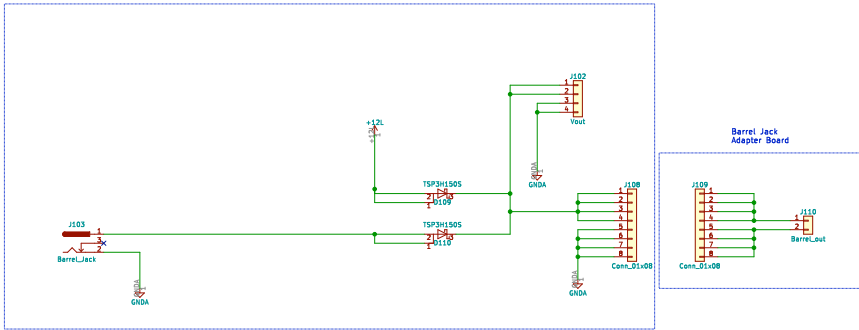


$V_{in} = 20 - 50V$   
 $V_{out} = 12V$   
 $I_{out} = 0.9A$   
 $F_s = 211.389kHz$

**LEGEND:**  
 - VCC is External Power Input after fuse  
 - +12L is output Isolated Power  
 - GND is input and is isolated from the output  
 - GNDa is the output and is isolated from the external input, but shares the same ground as the barrel jack input



OR-ing Circuit  
Barrel Jack vs External Power



Ethernet is passed through as base unit handles who wins.

