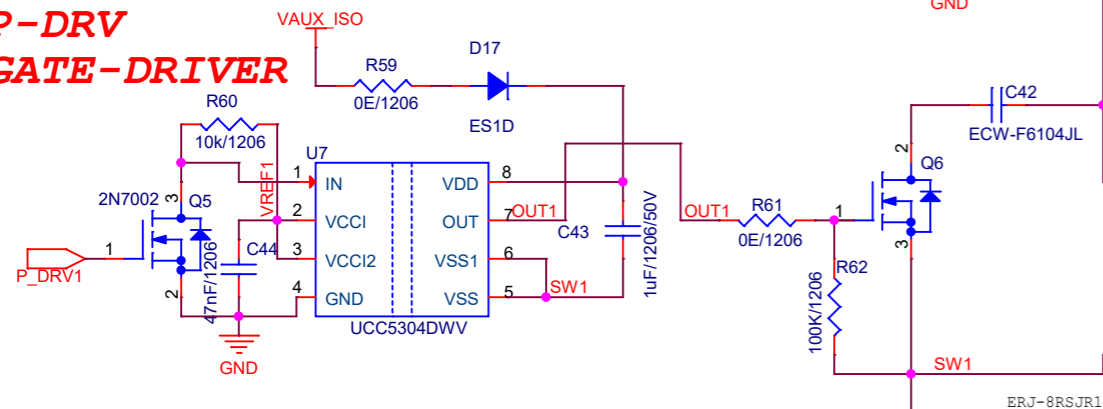
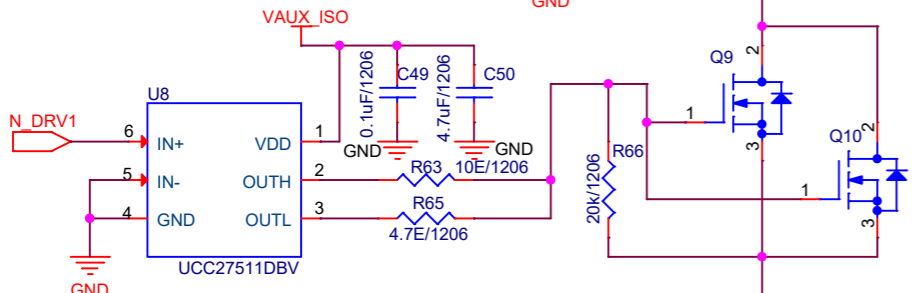


**P-DRV
GATE-DRIVER**



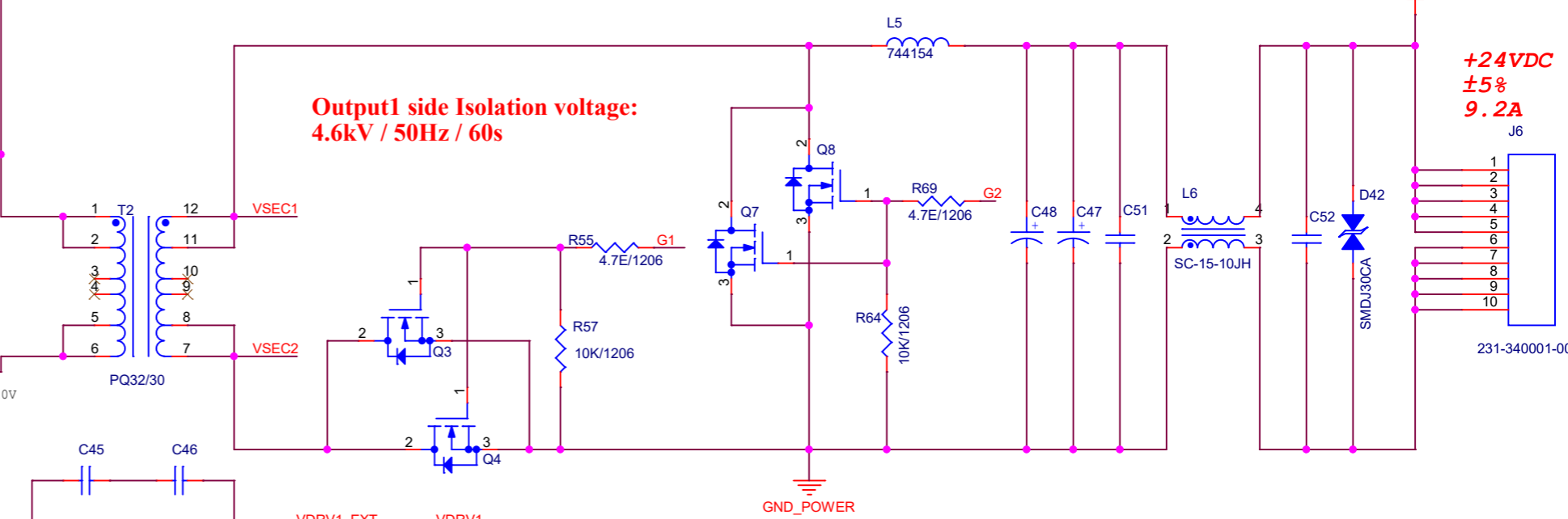
**N-DRV
GATE-DRIVER**



Vin=50-138V

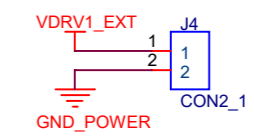
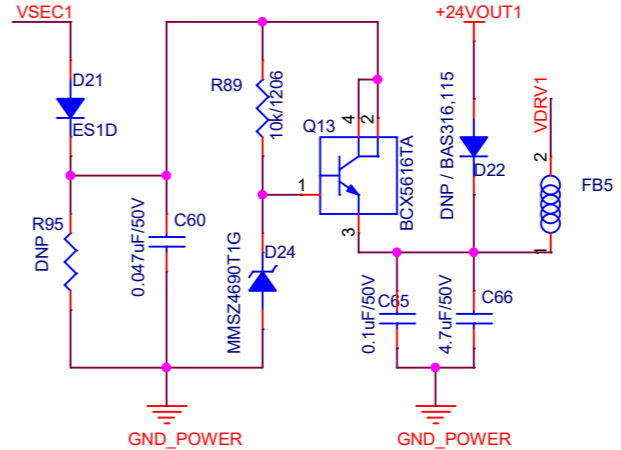
ACFC - POWER SECTION-1

**Output1 side Isolation voltage:
4.6kV / 50Hz / 60s**



**+24VDC
±5%
9.2A**

GATE DRIVER SUPPLY



**Note: VDRV1_EXT connect with
12V_ISO1 through wire**

Title		<Title>
Size	Document Number	Rev
A3	<Doc>	<RevCode>
Date:	Tuesday, February 03, 2026	Sheet 3 of 3