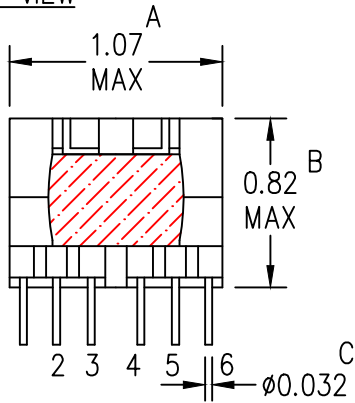




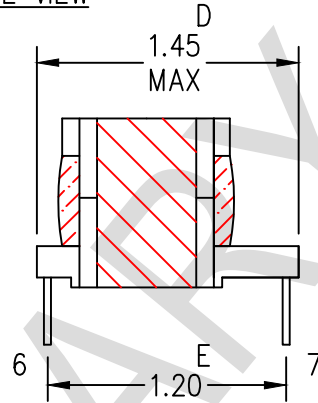
**RENCO ELECTRONICS, INC.**

595 INTERNATIONAL PL. ROCKLEDGE, FL 32955  
 ph. 321-637-1000 fax 321-637-1600  
 www.rencousa.com <> email: engineering@rencousa.com

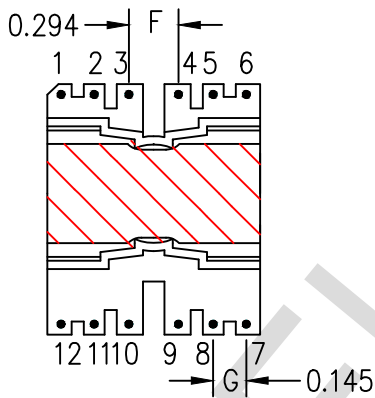
FRONT VIEW



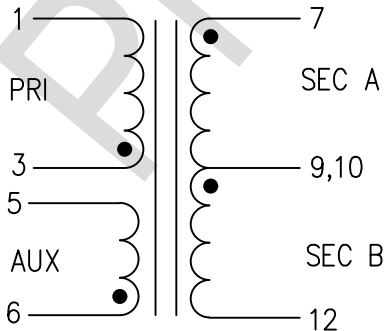
SIDE VIEW



BOTTOM VIEW



SCHEMATIC



ELECTRICAL TEST PARAMETERS:

INDUCTANCE @ 100kHz 0.1VAC  
 L(3-1) = 840.0µH ±5%

LEAKAGE INDUCTANCE @ 100kHz/0.1VAC  
 SHORT PINS: 7,9,10,12  
 LL(3-1) = 13µH ±15%

DC RESISTANCE OHMS (Ω) @ 25°C  
 DCR: (3-1) = 0.365Ω ±10%  
 (6-5) = 0.020Ω ±25%  
 (7-9) = 0.0025Ω MAX  
 (10-12) = 0.0025Ω MAX

HIPOT  
 APPLY: 3000VAC @ 60Hz FOR 2 SECS 5mA MAX  
 BTWN 3,6 TO 10,9

APPLY: 1500VAC @ 60Hz FOR 2 SECS 5mA MAX  
 BTWN 1 TO 6

COURTESY DRAWING

FILE NAME  
 RLTI-1233

-TOLERANCES-		CUSTOMER NAME		THIS COURTESY PRINT IS PROPRIETARY AND CONFIDENTIAL NO PART OF THIS COURTESY PRINT MAY BE DISCLOSED TO A THIRD PARTY WITHOUT PRIOR WRITTEN CONSENT FROM RENCO ELECTRONICS INC.	
UNLESS OTHERWISE SPECIFIED DIMENSIONS ARE IN INCHES		TEXAS INSTRUMENTS, INC.			
.XX=±	0.03	DESCRIPTION		THIS DOCUMENT IS FOR REFERENCE ONLY	
.XXX=±	0.015	PQ2620 TRANSFORMER			
ANGULAR=±	3°	ENGINEER CONTACT	DWN BY		
FRACTIONAL=±	1/16"	I. RENSING	AW		
		DATE	SCALE	RoHS COMPLIANT: YES <input checked="" type="checkbox"/> NO <input type="checkbox"/>	
		05/24/17	NONE	REV	PAGE
				PRE	1 of 1