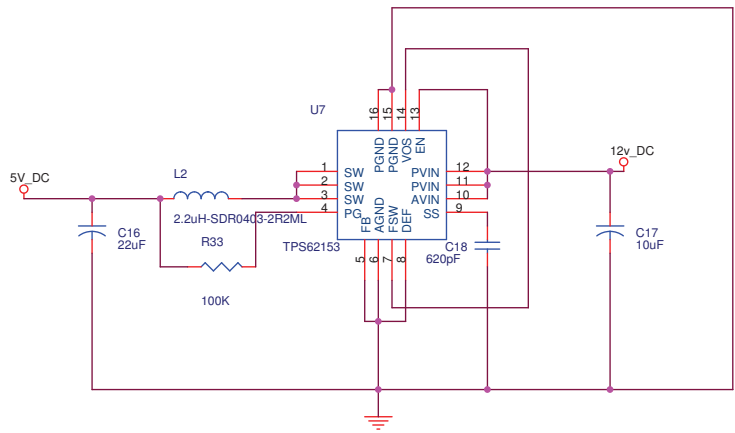


VOLTAGE CONVERTORS



Title		
HILOS PCB-VOLTAGE CONVERTORS		
Size	Document Number	Rev
B	<Doc>	<Rev Code>
Date:	Wednesday, August 20, 2014	Sheet 3 of 4