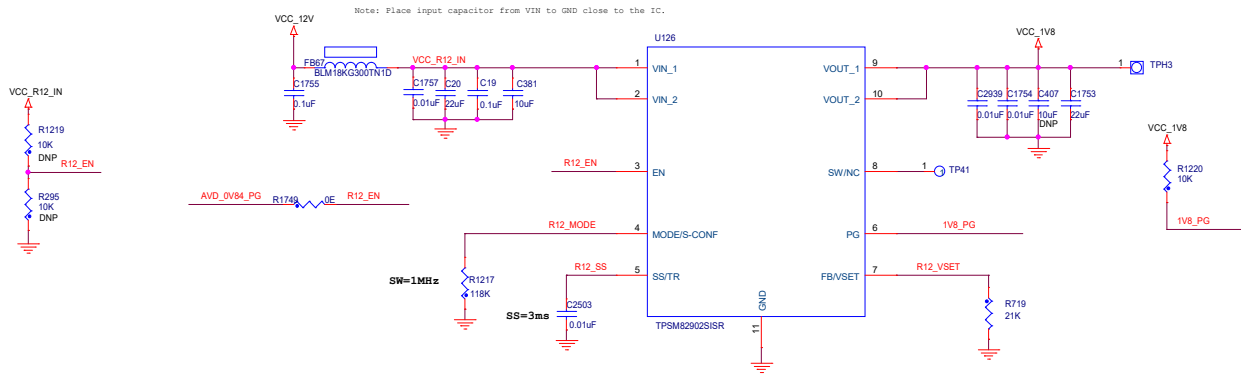


12V to 1.8V 1A Regulator



Title	<Title>	
Size	Document Number	Rev
B	<Doc>	<Rev>
Date:	Wednesday, June 19, 2024	Sheet 1 of 1