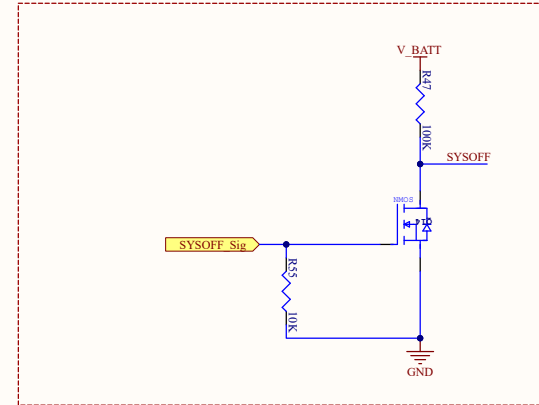
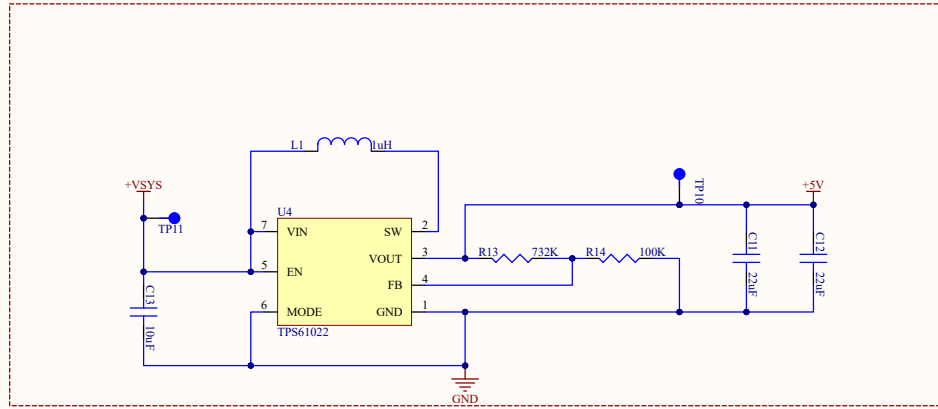
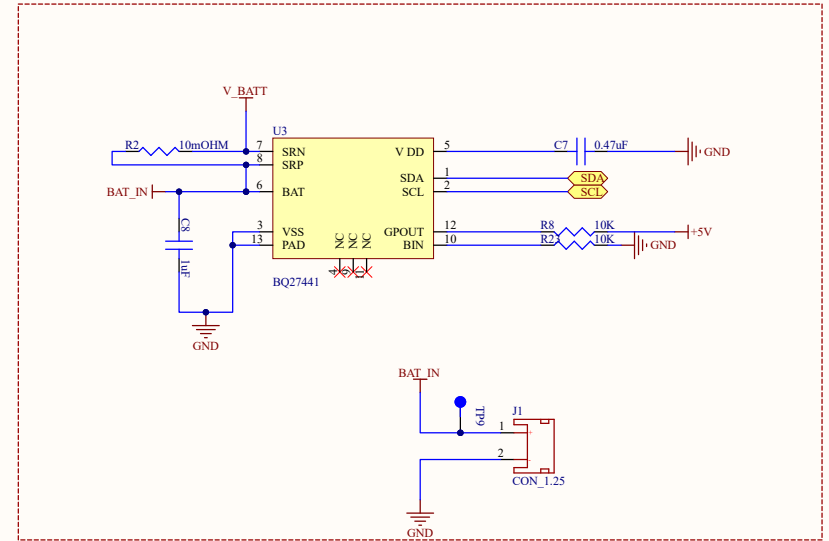
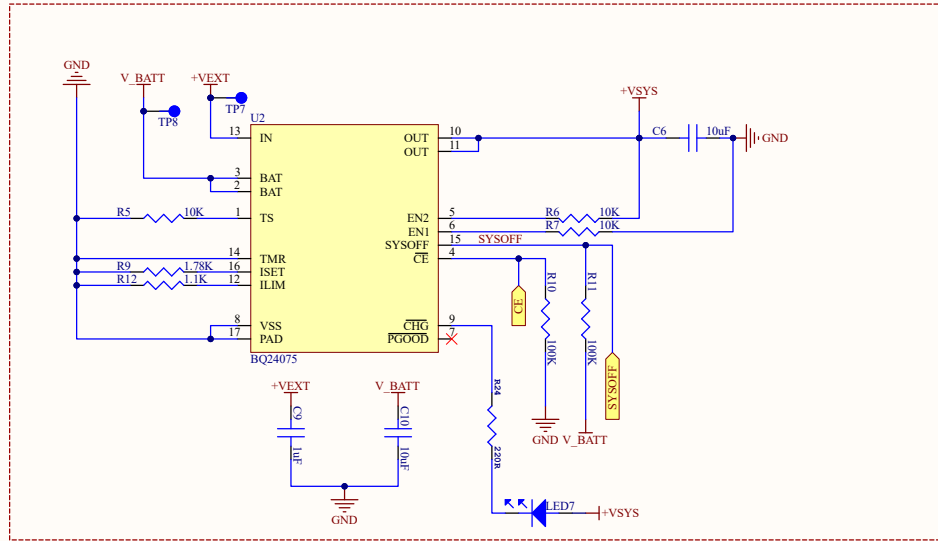


POWER & BATTERY CHARGING



Title:		Designer:	
Size: A3	Number: 4	Revision:	
Date: 1/17/2023	Time: 9:08:32 PM		
Sheet 4 of 11			
Company:			
Address:			

Cannot open file
E:\Brainchild
Engineering\Brain
child\Brainchild\B
rainchild_PCB_1e
emplates\Transpare
nt logo.png. File
Brainchild Engineering