

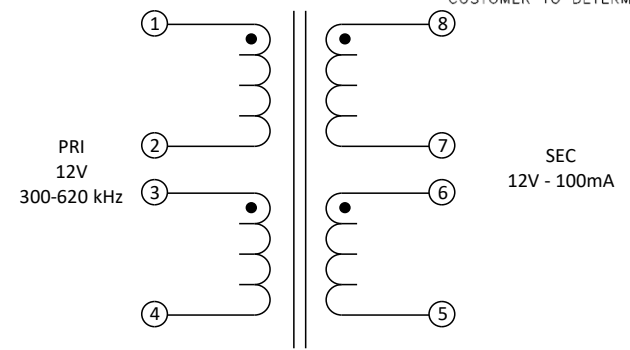
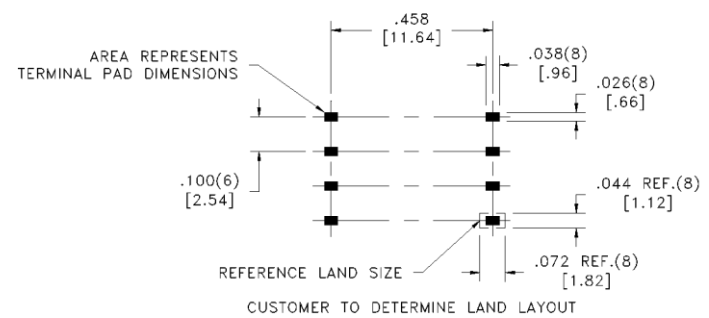
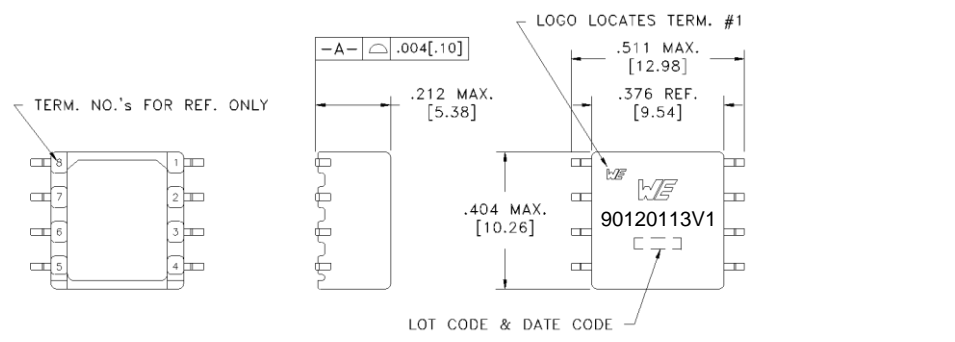
CUSTOMER TERMINAL	RoHS	LEAD(Pb)--FREE
Sn 96%, Ag 4%	Yes	Yes

more than you expect



ELECTRICAL SPECIFICATIONS @ 25° C unless otherwise noted:

PARAMETER	TEST CONDITIONS	VALUE
D.C. RESISTANCE	1-2 @20°C	0.250 ohms ±20%
D.C. RESISTANCE	3-4 @20°C	0.250 ohms ±20%
D.C. RESISTANCE	8-7 @20°C	0.250 ohms ±20%
D.C. RESISTANCE	6-5 @20°C	0.250 ohms ±20%
INDUCTANCE	1-2 10kHz, 50mV, Ls	80µH min.
INDUCTANCE	3-4 10kHz, 50mV, Ls	80µH min.
DIELECTRIC	1-8 tie(2+3, 6+7), 3500VAC, 1 second	3500VAC, 1 minute
URNS RATIO	(1-4):(8-5), tie(2+3, 6+7)	1:1



Customer to tie terminals 2+3 and 6+7 on PC board.

GENERAL SPECIFICATIONS:

- OPERATING TEMPERATURE RANGE: -40°C to +125°C including temp rise.
- VOLTAGE-TIME: 22 VµS minimum (terminals 1-2) through full temperature range.
- Designed to comply with the requirements as defined by IEC60664-1:
 - Reinforced insulation for a primary circuit at a working voltage of 450Vpeak.
- 8mm minimum creepage and clearance distance between PRI & SEC.

Preliminary

Wire insulation & RoHS status not affected by wire color. Wire insulation color may vary depending on availability. Marking detail font and color may vary on preproduction samples.

DFM	Packaging Specifications	 CONVENTION PLACEMENT	Tolerances unless otherwise specified:	DRAWING TITLE Würth Elektronik Automotive Transformer	PART NO. 901-20113-V1	
DATE	Method: Tape & Reel		Angles: ±1°			Decimals: ±.005 [13]
ENG	MCT		Fractions: ±1/64			Footprint: ±.005 [13]
REV.	01		This drawing is dual dimensioned. Dimensions in brackets are in millimeters.			
DATE	8/13/2020		www.we-online.com			