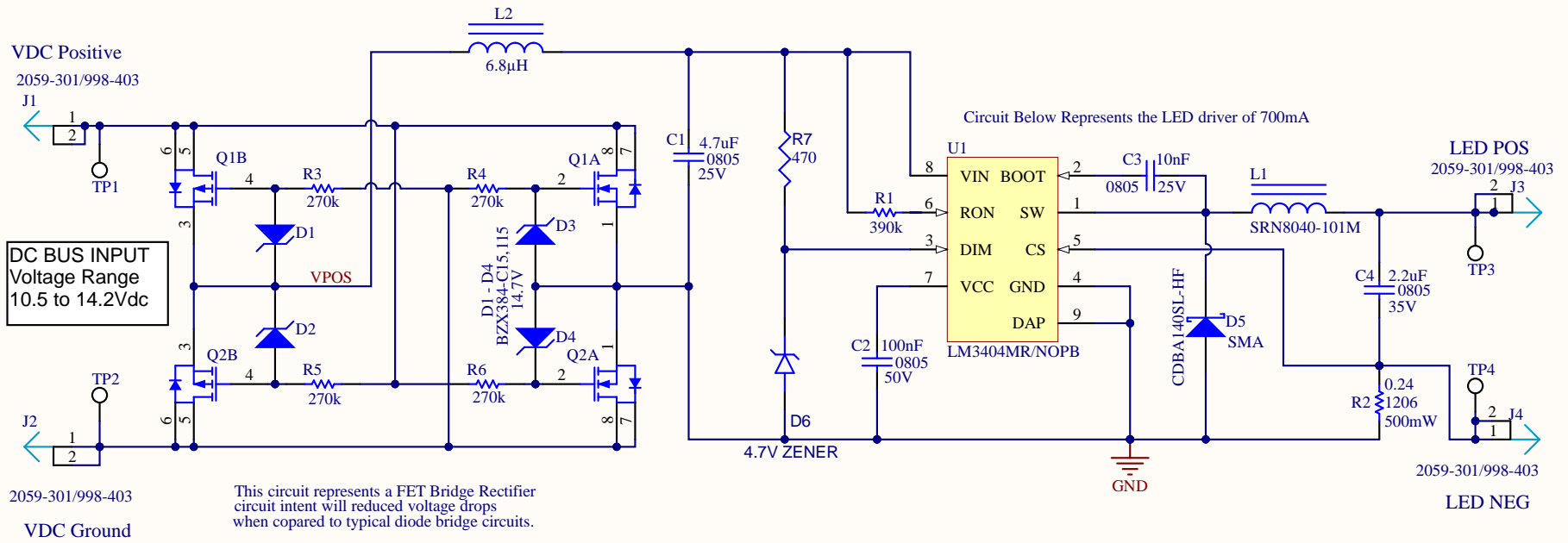


REV	DATE	RECORD	DESIGN	CHK
4	06/10/2020	Revisions based on Validation Testing	FDP	AGC
A	03/12/2021	PROD REL EC190305001	AGC	AGC
B	04/06/2022	ADD R7 and D6	FDP	FDP



<p>This document contains confidential and proprietary information of Dual-Lite. Receipt or possession of this document does not convey any rights to reproduce or disclose its contents, or to make, use, or sell anything it may disclose. Reproduction, disclosure, or use of the document or its contents, without the specific written authorization of Dual-lite, may violate the intellectual property rights of Dual-Lite.</p>	<p>UNSPECIFIED TOLERANCE: INCHES X.X=±0.02 X.XX=±0.02 X.XXX=±0.010 FRACTIONS=±1/64 ANGULAR TOLERANCE=±1/2°</p>		701 Millennium Blvd. Greenville, SC 29607 (864) 678-1000	
	<p>DIMENSIONS IN INCHES DIMENSIONS IN [ ] IN MM CONFORMS TO ASME Y14.5M DO NOT SCALE PRINT</p>		<p><b>SCH ELSS REMOTE OUTDOOR HEAD</b></p>	
			<p>PART NO: 93109375</p>	
	<p>SCALE: NTS SIZE: A</p>		<p>DRAWING NO.: 93109375-0000 REV.: B SHT 1 1 SHTS</p>	

Line #	SAP PN	SAP PN Description	Designator	Quantity	Manufacturer 1	Manufacturer Part Number 1	Manufacturer 2	Manufacturer 2 Part Number	Manufacturer 3	Manufacturer 3 Part Number	Manufacturer Lifecycle 1	Supplier Unit Price 1	Supplier Subtotal 1
	93052059	CAP CER 4.7uF 10pct 0805 25V X5R N 1	C1	1	TDK	C2012X5R1E475K125AB					Volume Production		
	93012963	CAP MLC 0.1uF 20pct 0805 50V X7R N 1	C2	1	Kyocera AVX	FS055C104K4Z2A	Walsin	0805B104K500CT	AVX	0805C104KAT2A	Volume Production		
	93071567	CAP CER 10000pF 0.1 1206 25V X7R N 1	C3	1	Samsung	CL21B103KAANNNC					Volume Production		
	93052058	CAP CER 2.2uF 10pct 0805 35V X5R N 1	C4	1	TDK	C2012X5R1V225K125AB	Taiyo Yuden	GMK212BBJ225K125GHT	TDK	C2012X5R1V225K085AB	Volume Production		
	93049570	DIODE ZNR 15V SOD-323 BZX384-C15,115 300mW N 1	D1, D2, D3, D4	4	Nexperia	BZX384-C15,115							
	93115503	DIODE-SCHOTTKY 40V 1A 300mVf SMA	D5	1	Comchip	CDBA140SL-HF					Volume Production		
			D6	1									
	93062929	CONN-TBLK 1 POLE	J1, J2, J3, J4	4	WAGO	2059-301/998-403					Volume Production		
	93125492	IND FERT WW 100 uH 10% SMT 1.0A N1	L1	1									
	93131692	IND FERT WW 6.8 uH 10% 1812 285mA N1	L2	1	Bourns	CM453232-6R8KL					Volume Production		
	93116463	XSTR MSFT COMPAR SSOIC -8 30V 6.2A	Q1, Q2	2	Diodes Zetex	ZXMC3A16DN81A	On-Semiconductor	SI4542DY	Vishay	SI4542DY	Volume Production		
	93041322	RES TF 390K OHM 1PCT 0603 1/10W N 1	R1	1	Vishay	CRCW0603390KFKEA					Volume Production		
	93116474	RES TF PULWSTD 240m Ohm 1% 1206	R2	1	Vishay Dale	RCWE1206R240FKEA	TE	RL73H2BR24FDF			Volume Production		
	93073917	RES TF 270K OHM 1 PCT 0603 1/10W N 1	R3, R4, R5, R6	4	Vishay	CRCW0603270KFKEA	Walsin	WR06X2703FTL	HKR	RCT03 270KF LF	Volume Production		
			R7	1									
			TP1, TP2, TP3, TP4	4									
	93115072	IC CTRLR DRV LED LM3404MR	U1	1	TI National Semiconductor	LM3404MR/NOPB					Volume Production		