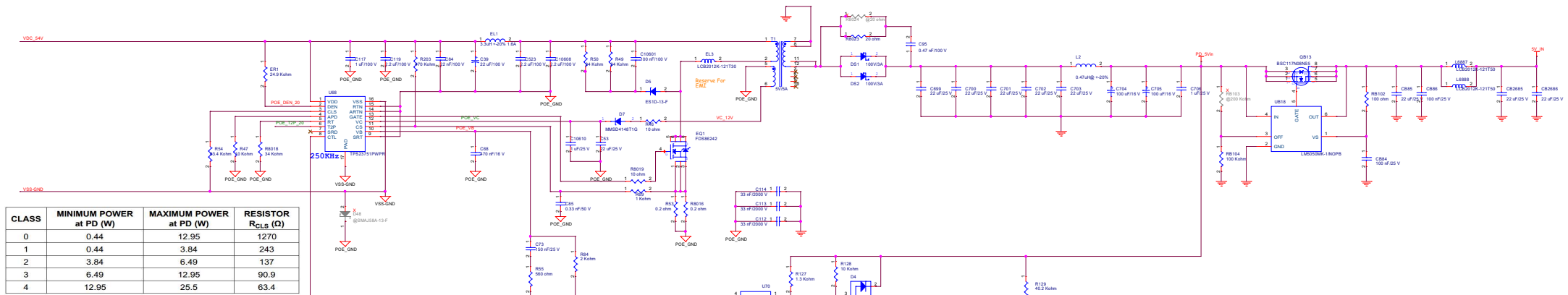


<Variant Name>

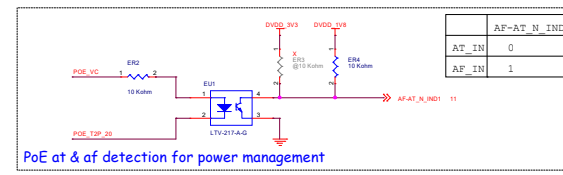
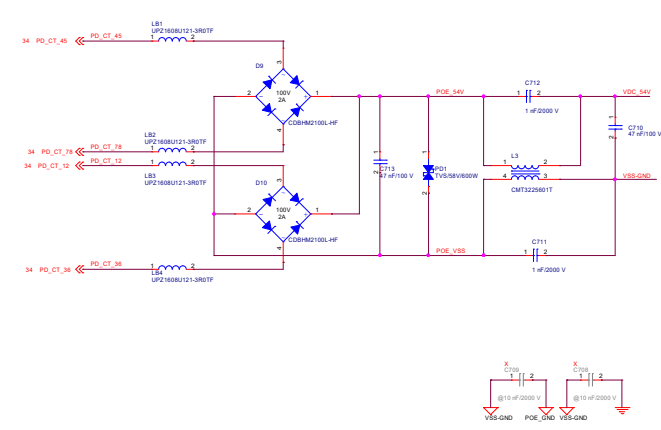
LITEON®

Title: **Access**

Size B	Document Number	Rev V01
RJ45		
Date: Friday, December 01, 2023	Sheet 34 of 37	

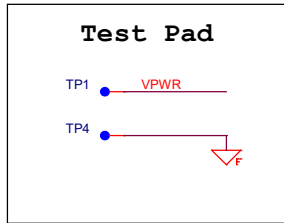
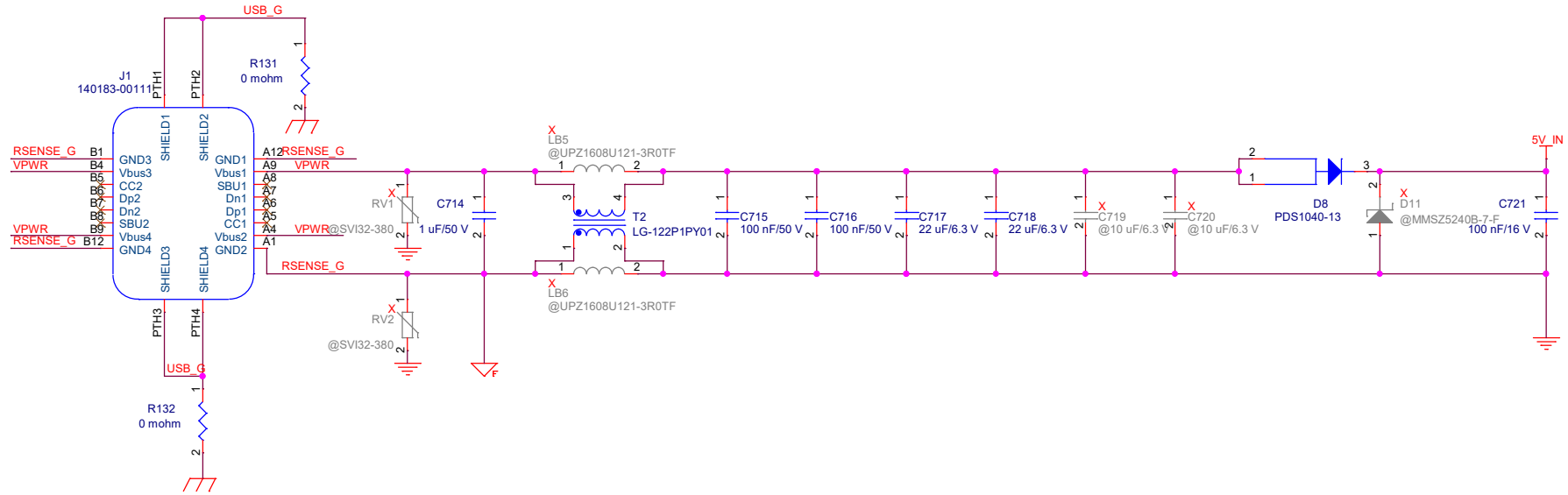


CLASS	MINIMUM POWER at PD (W)	MAXIMUM POWER at PD (W)	RESISTOR R _{CLS} (Ω)
0	0.44	12.95	1270
1	0.44	3.84	243
2	3.84	6.49	137
3	6.49	12.95	90.9
4	12.95	25.5	63.4

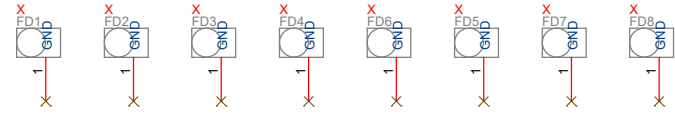
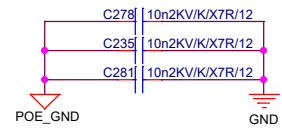
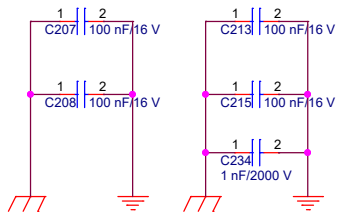
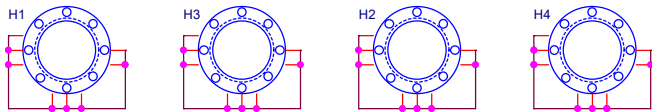


AF+AT_N_IND	
AF_IN	0
AF_IN	1

USB Type C



<Variant Name>		
LITEON [®]		
Title Access		
Size B	Document Number TYPE-C Power	Rev V01
Date:	Friday, December 01, 2023	Sheet 36 of 37



<Variant Name>

LITEON [®]		
Title Access		
Size P	Document Number Shielding & Screws	Rev V01
Date: Friday, December 01, 2023	Sheet 37 of 37	