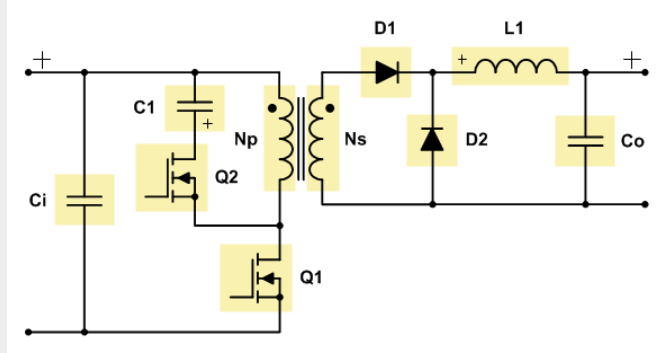


Design Values

Minimum Input Voltage: V
 Maximum Input Voltage: V
 Output Voltage: V
 Output Current: A
 Switching Frequency: kHz
 Diode Voltage Drop: V
 Inductor Current Ripple: %
 Maximum Duty Cycle: %
 Magnetization Current: %



Recommended Values

Turns Ratio: **3.82** : 1
 Transformer Inductance: **3823.53** μ H
 Inductance: **233.52** μ H

Choose Values

Turns Ratio: : 1
 Transformer Inductance: μ H
 Inductance: μ H

Calculated Values at Input Voltage: 390.00 V

Period: 7.69 μ s
 Duty Cycle: 32.69 %
 On-Time: 2.51 μ s
 Off-Time: 5.18 μ s
 Zero-Time: 0.00 μ s
 Input Power: 153.00 W
 Output Power: 150.00 W
 Rectifier Diode Losses: 0.98 W
 Freewheeling Diode Losses: 2.02 W

Load Current: 3.00 A

L_{sec} : 400.00 μ H
 Mag. Current: 0.39 A
 Input Current: 0.39 A
 Current Ripple: 26.67 %

Info

[Check TIDesigns™ Reference Design Library](#)



