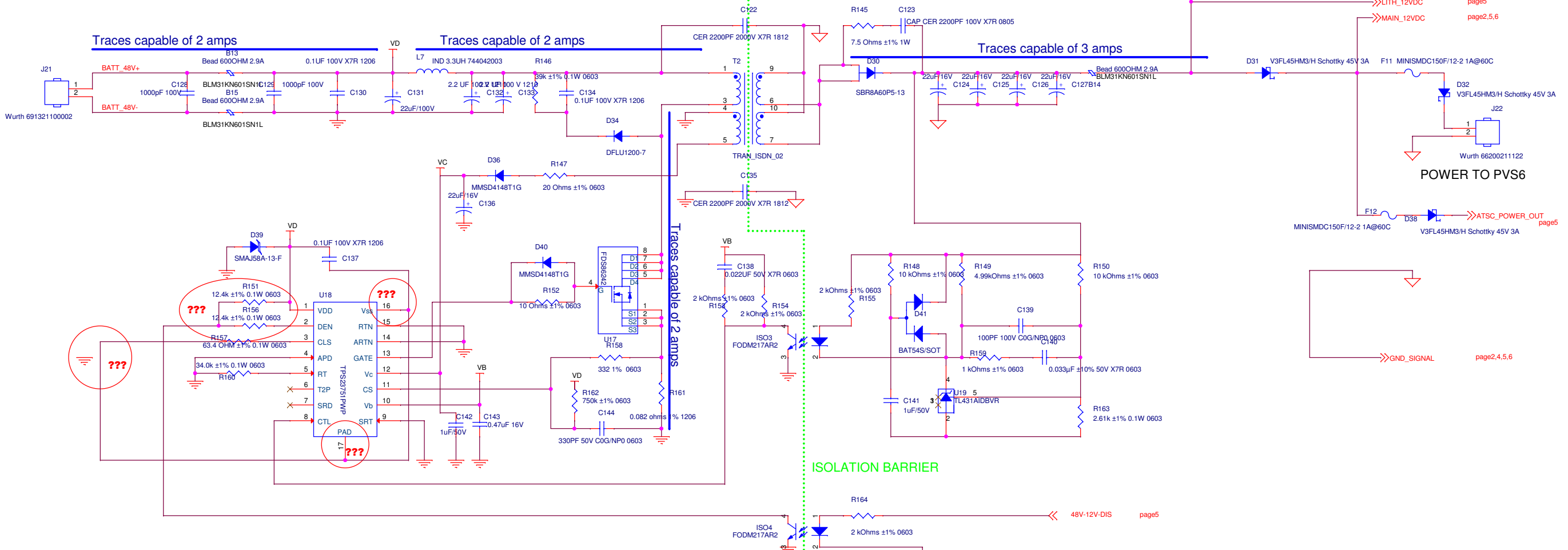


CONVERTS 48VDC FROM THE BATTERY PACKS TO 12VDC FOR THE ADS CONTROLLER



LITH_12VDC page5
MAIN_12VDC page2,5,6

POWER TO PVS6
ATSC_POWER_OUT page5

GND_SIGNAL page2,4,5,6

ISOLATION BARRIER

Disables the 48V to 12V converter to save power.

SUNPOWER SunPower Corporation
1414 Harbour Way South
Richmond, CA 94804 USA

Title: **ATS Controller 3 - 48VDC to 12VDC Power Converter**

Size C	Document Number 850-00550	Rev 3
Date: Tuesday, August 06, 2019	Sheet 3	of 6