

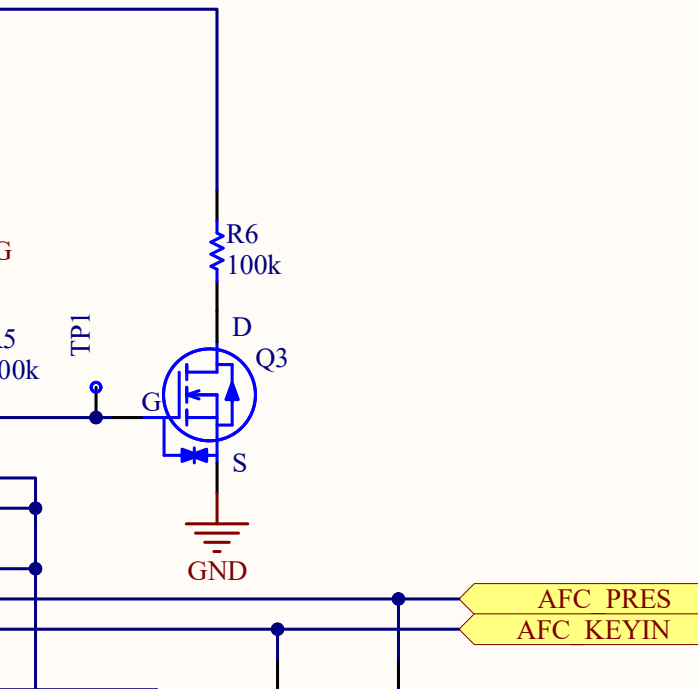


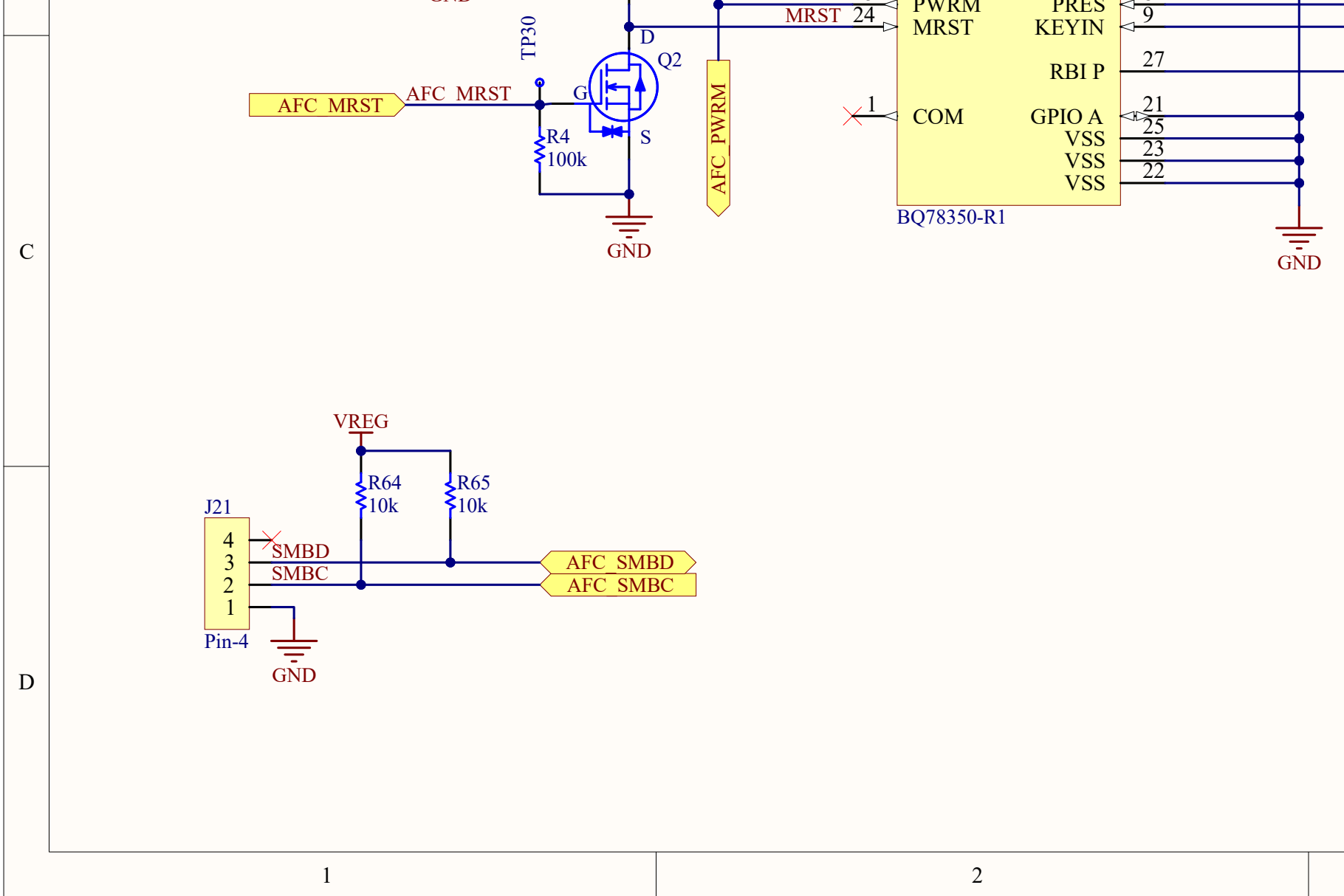
3

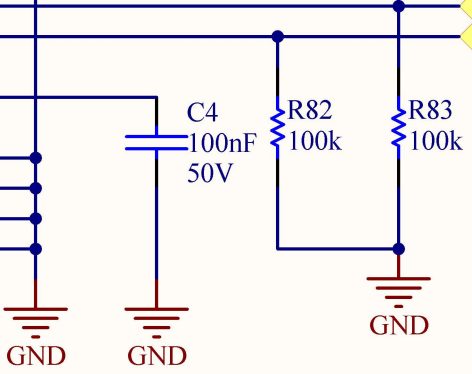
4

A


B







C

	Project: <b>EMLP009</b>		Revision: <b>B</b>
	Page Title: <b>AFC (Analog Front End Controller)</b>		Sheet <b>3 / 9</b>
	Designer: <b>Jan Stappers</b>	Date: <b>29/09/2022</b>	Size: <b>A4</b>
<p>CONFIDENTIAL: This document contains confidential information and proprietary to E-MOTIONLABS N.V. and may not be distributed or reproduced without prior express written consent of E-MOTIONLABS N.V. Please refer questions to E-MOTIONLABS N.V. Industrielaan 1029/1, BE-3730 Hoeselt. Tel: +32 (0)89 23 00 02</p>			

D