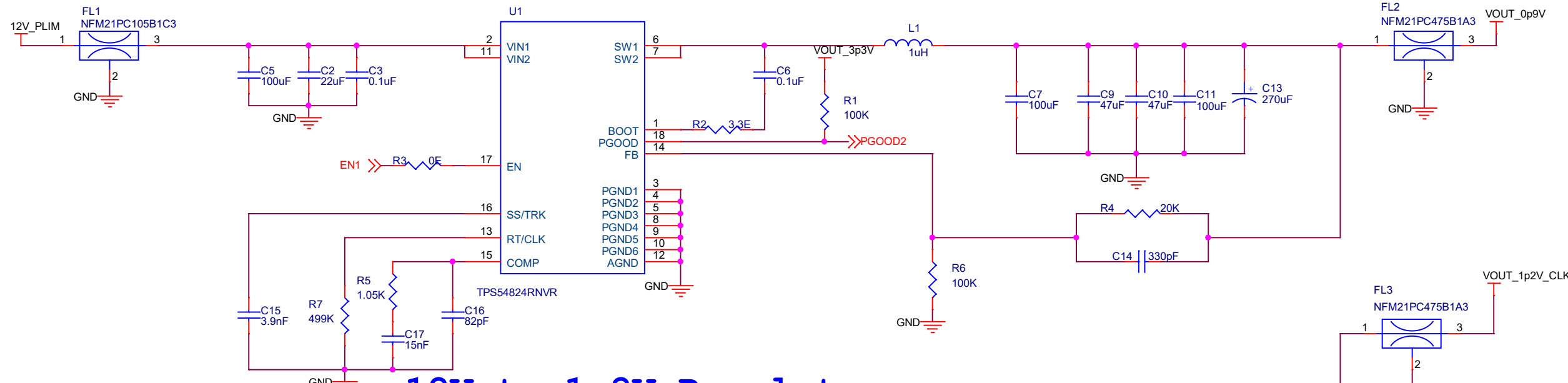
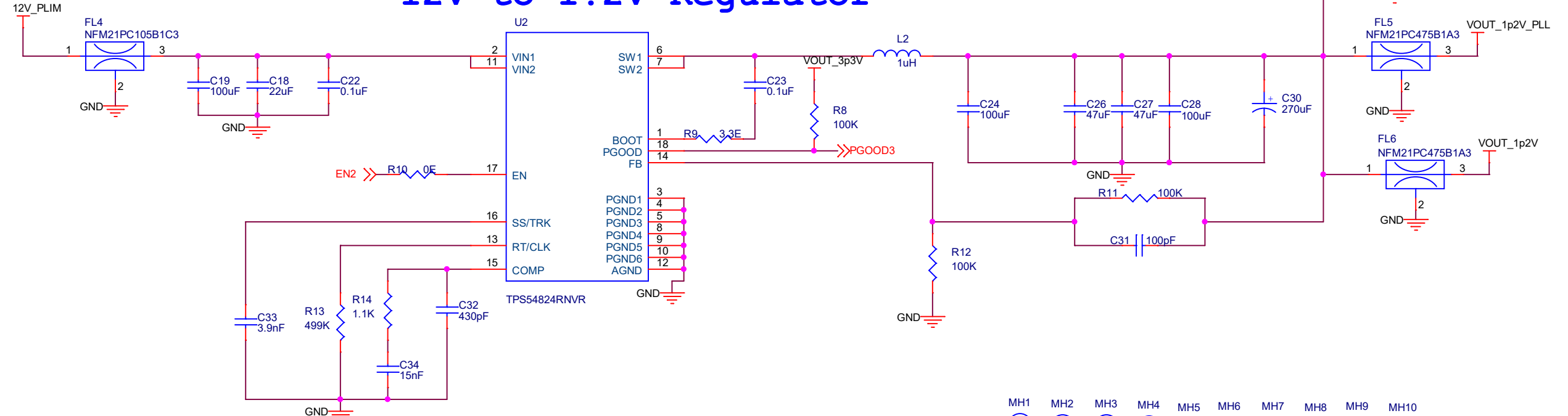


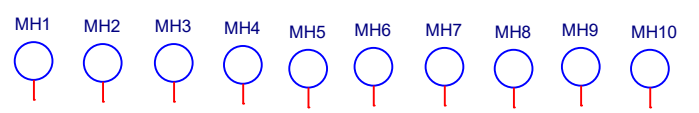
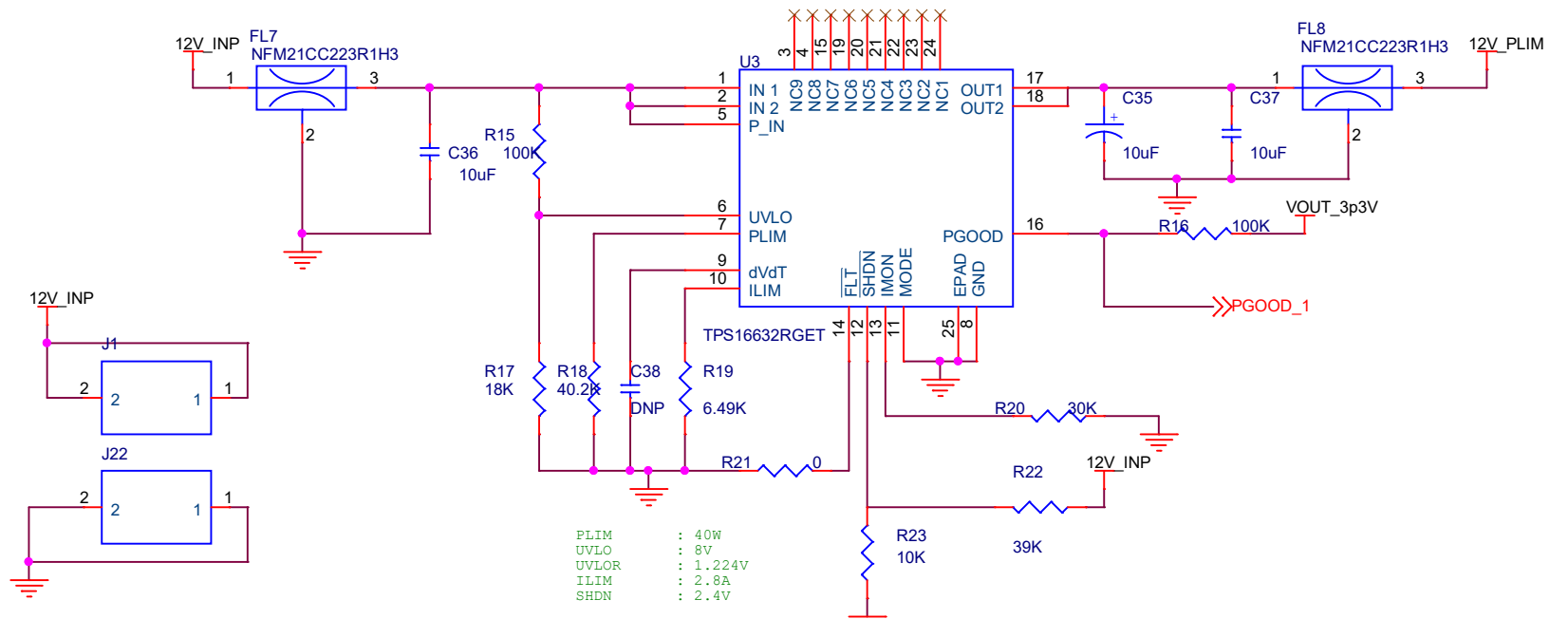
12V to 0.95V Regulator



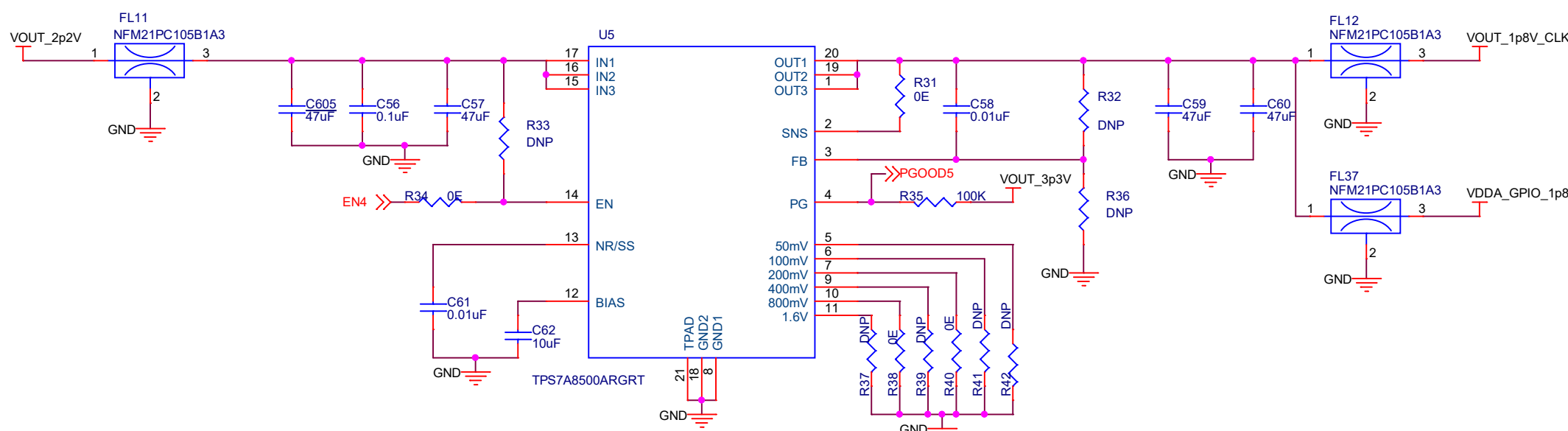
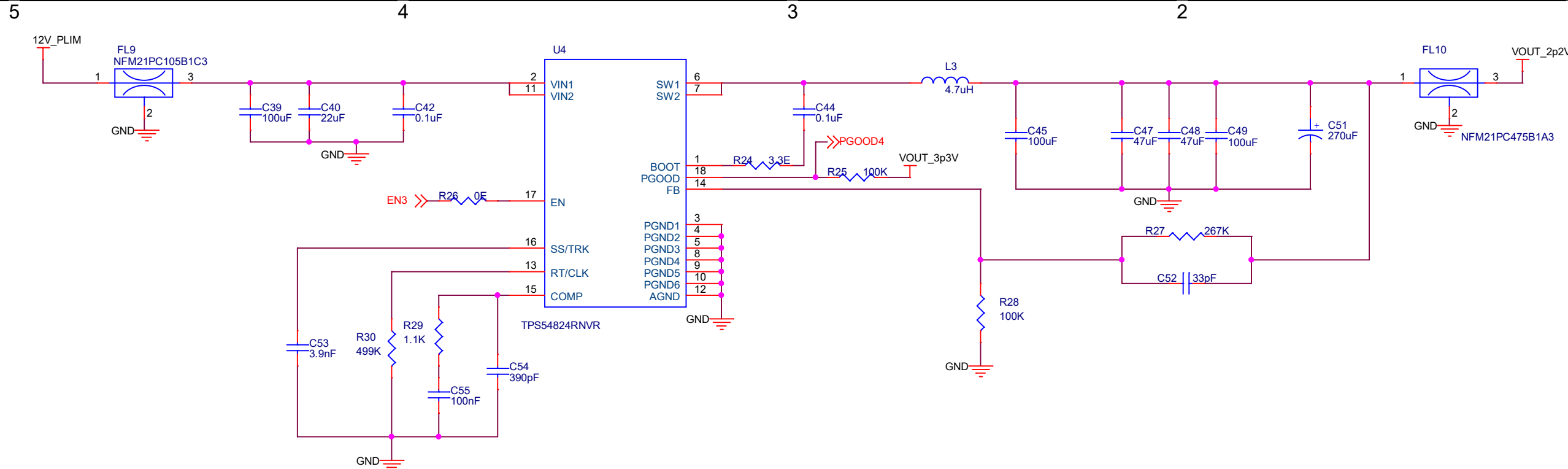
12V to 1.2V Regulator



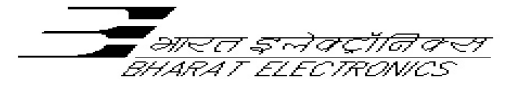
12V Protection and Power limiting Circuit

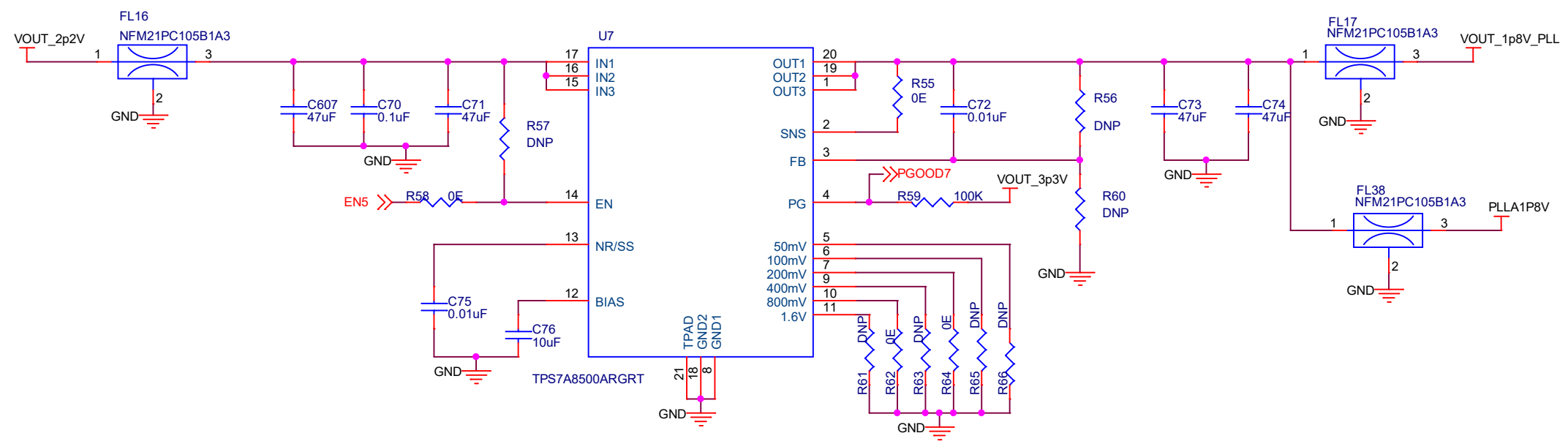
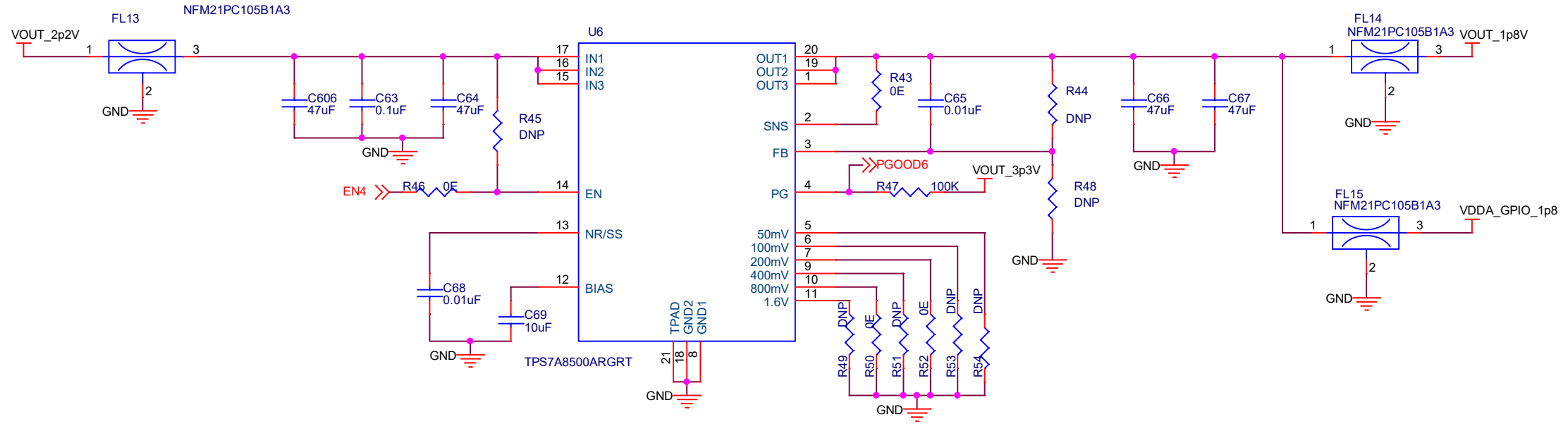


VER	ECO NO.	REL. DATE	CHANGE	DO	ENGR	APVD	NEXT ASSY. NUMBER	ITEM	QTY
MATERIAL			FINISH		PROJECTION		ALL DIMENSIONS IN MM UNLESS OTHERWISE SPECIFIED		LAB/OFFICE
DRAWN			CHECKED	ENGINEER	SCALE	TITLE			
SUCHETHA			VIKAS KUMAR	215685		AL239900060901_13_11_2023			
DT	DT	DT	DOC TYPE	NUMBER 1183 154 059 41			SHEET NO.	VER	
				2399 000 602 09			01	P1	
							NO. OF SHEETS	SIZE	
						19	A3		



VER	ECO NO.	REL. DATE	CHANGE	DO	ENGR	APVD	NEXT ASSY. NUMBER	ITEM	QTY
MATERIAL			FINISH		PROJECTION		ALL DIMENSIONS IN MM UNLESS OTHERWISE SPECIFIED		LAB/OFFICE
DRAWN			CHECKED		ENGINEER		SCALE		TITLE
SUCHETHA			VIKAS KUMAR		215685				AL239900060901_13_11_2023
DT		DT		DT		DOC TYPE		NUMBER 1183 154 059 41	
								SHEET NO. 02	
								VER P1	
								NO. OF SHEETS 19	
								SIZE A3	





VER	ECO NO.	REL. DATE	CHANGE	DO	ENGR	APVD	NEXT ASSY. NUMBER	ITEM	QTY
MATERIAL			FINISH	PROJECTION		ALL DIMENSIONS IN MM UNLESS OTHERWISE SPECIFIED			LAB/OFFICE
DRAWN			CHECKED	ENGINEER	SCALE	TITLE			PDIC
SUCHETHA			VIKAS KUMAR	215685		AL239900060901_13_11_2023			
DT	DT	DT	DOC TYPE	NUMBER 1183 154 059 41			SHEET NO.	VER	
				2399 000 602 09			03	P1	
							NO. OF SHEETS	SIZE	
							19	A3	