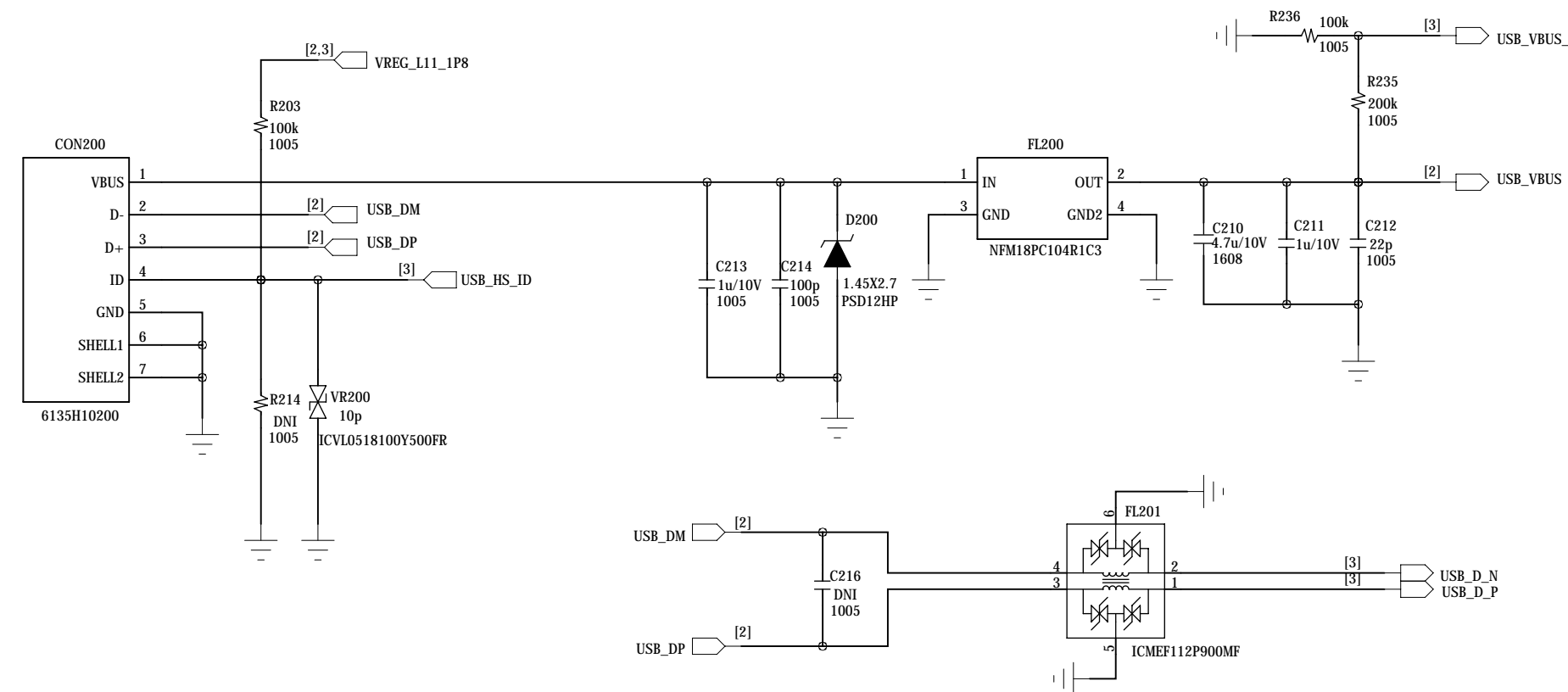
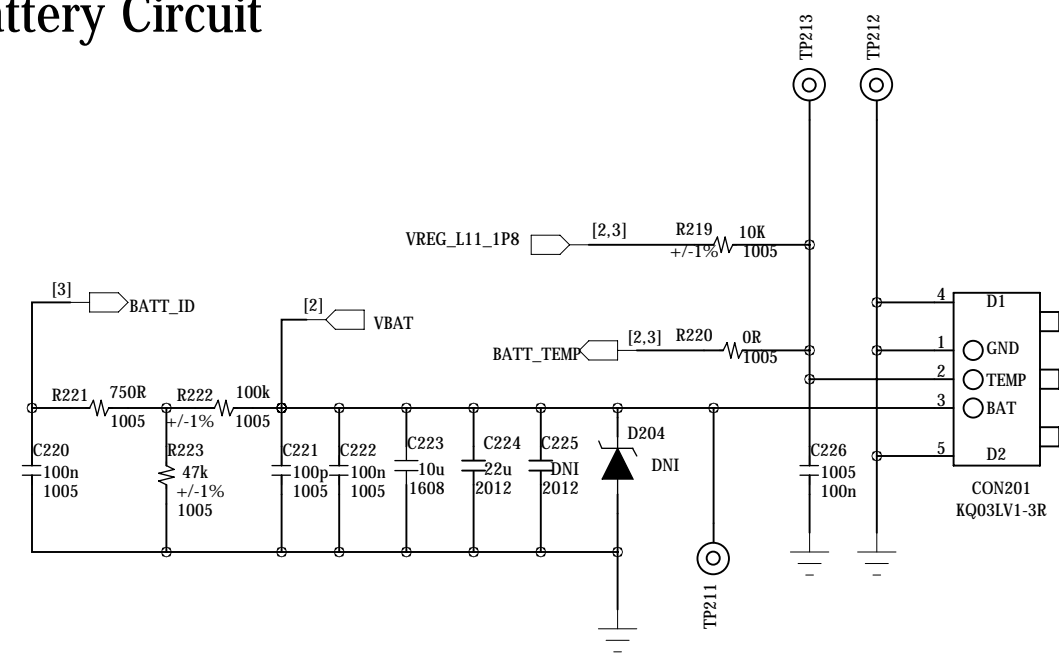


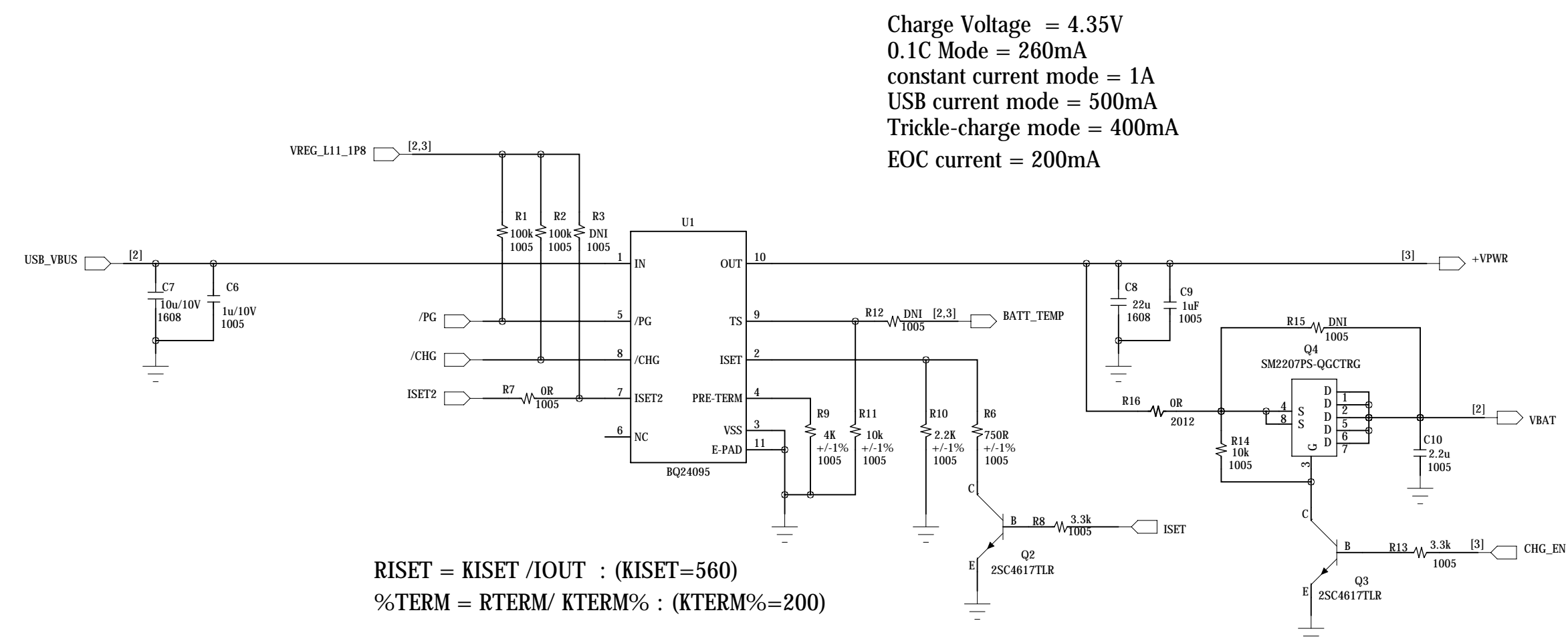
### Micro 5Pin USB Circuit



### Battery Circuit



### Charger IC



NAME	DATE	DRAWING NAME	AR5800
D.J.YOO	2016/06/26	TITLE	POWER
D.J.YOO		Documentation No	REV_B
SHEET: 2		OF 3	