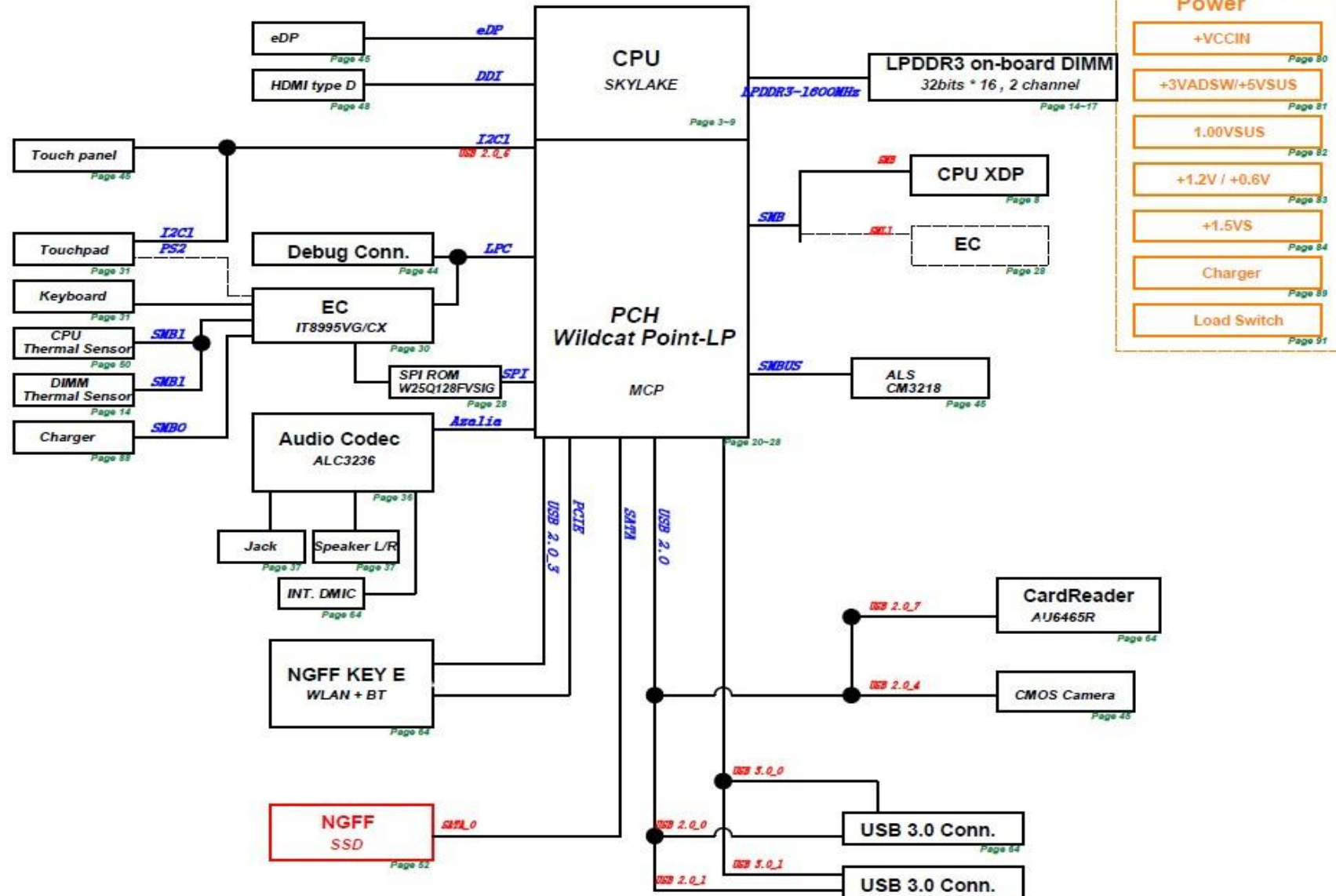


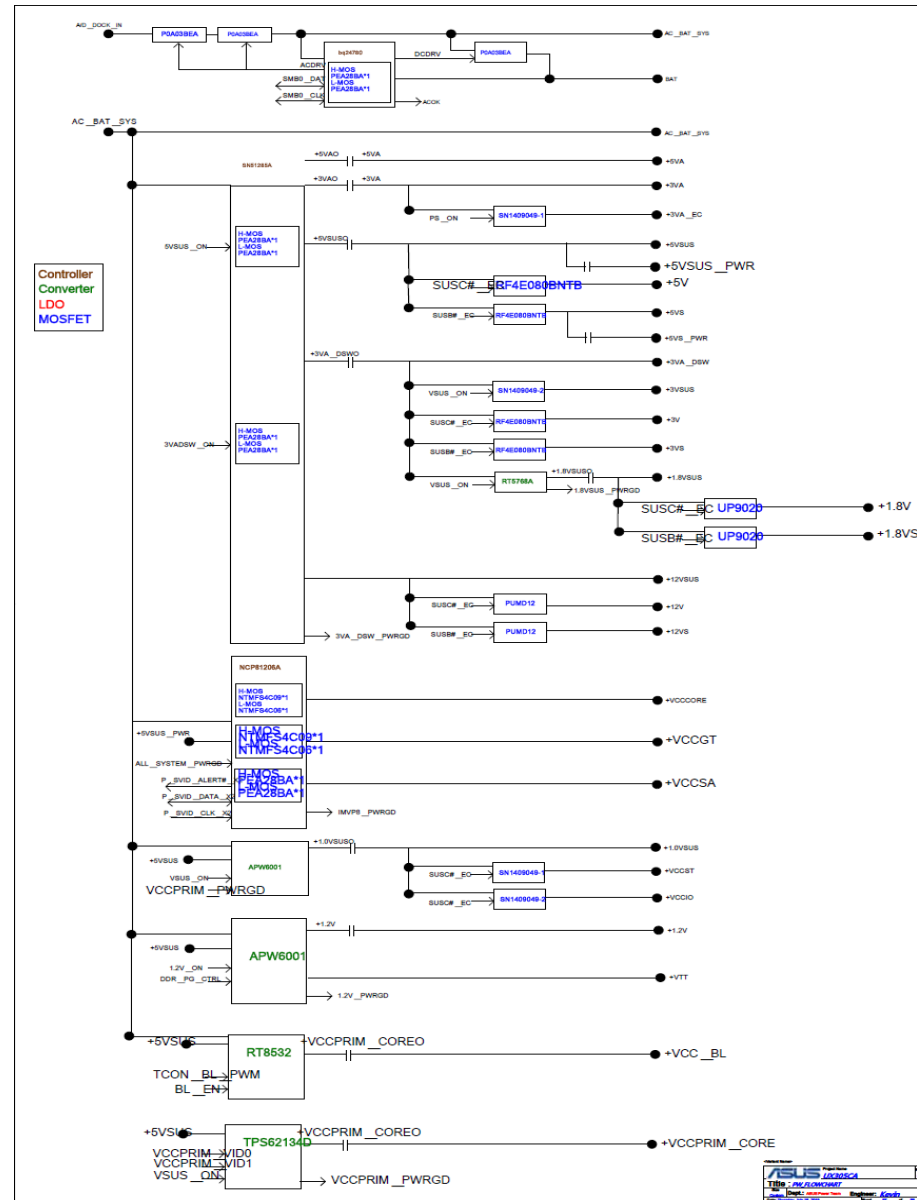
UX305CA (Skylake-Y) Schematic Revision R2.0

UX305CA Block Diagram

Non Connected Standby

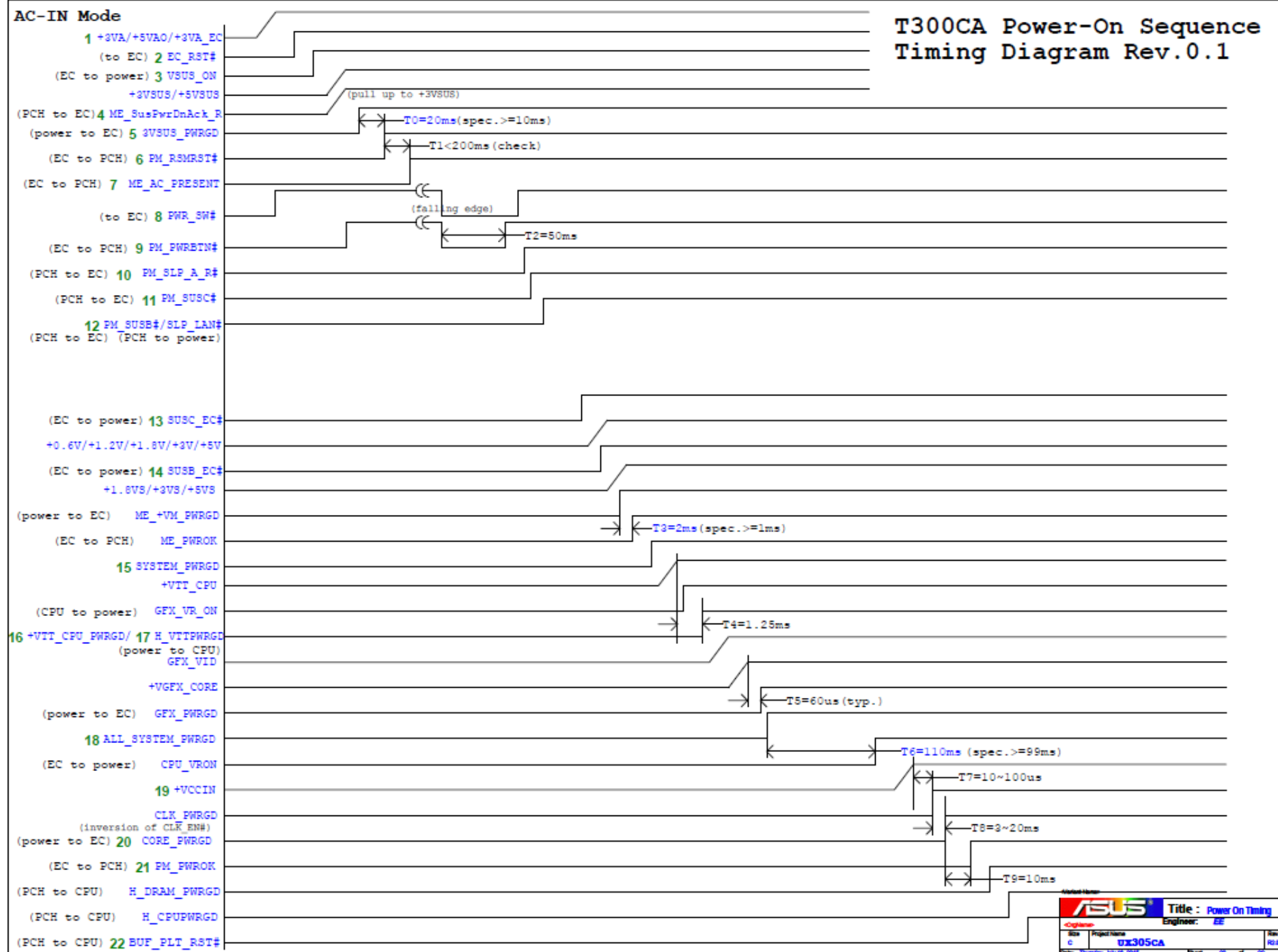


POWER FLOW

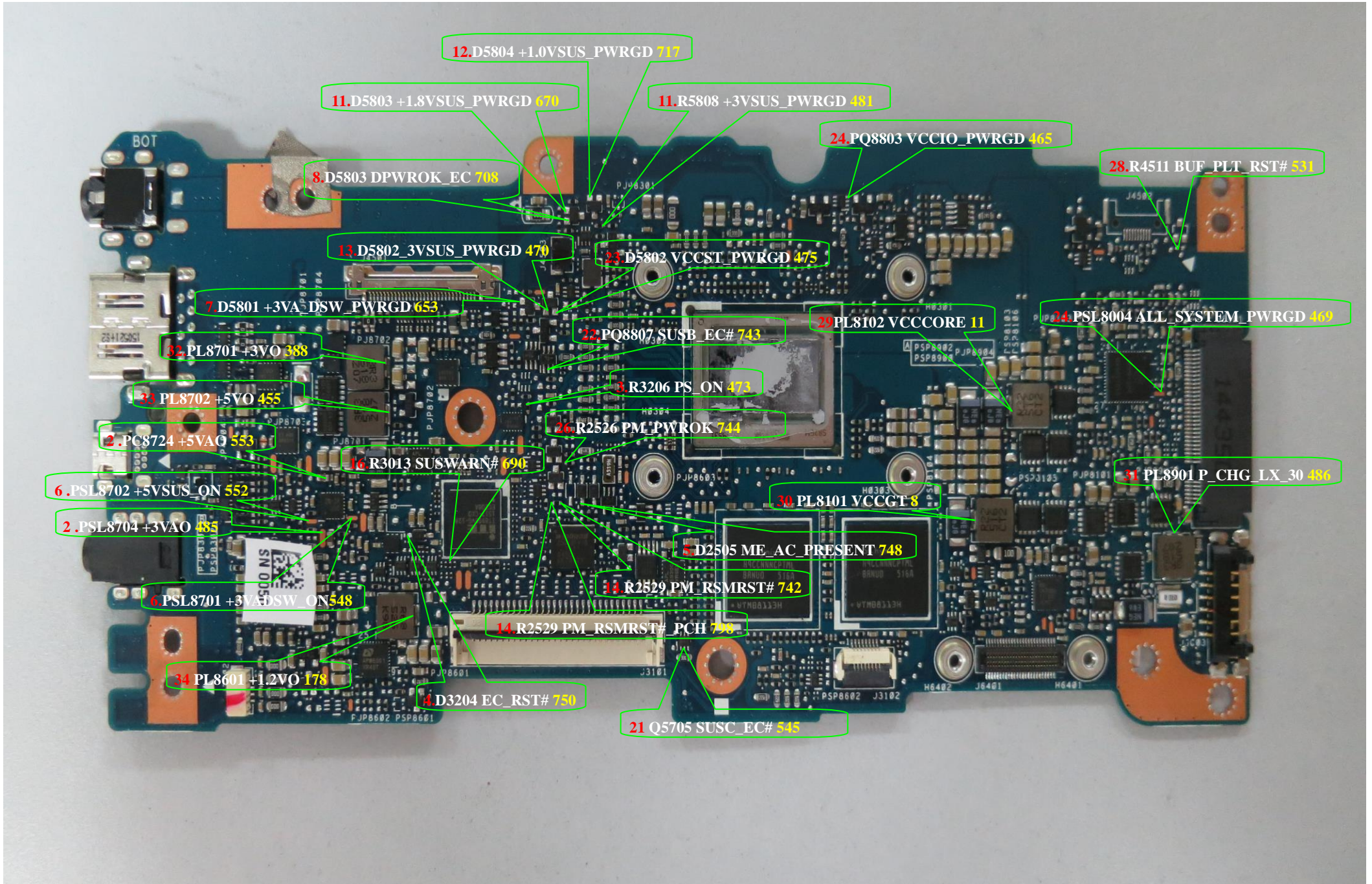


AC POWER ON SEQUENCE

T300CA Power-On Sequence Timing Diagram Rev.0.1



Signal Measure Point-Bottom



Signal Measure Point-Top

