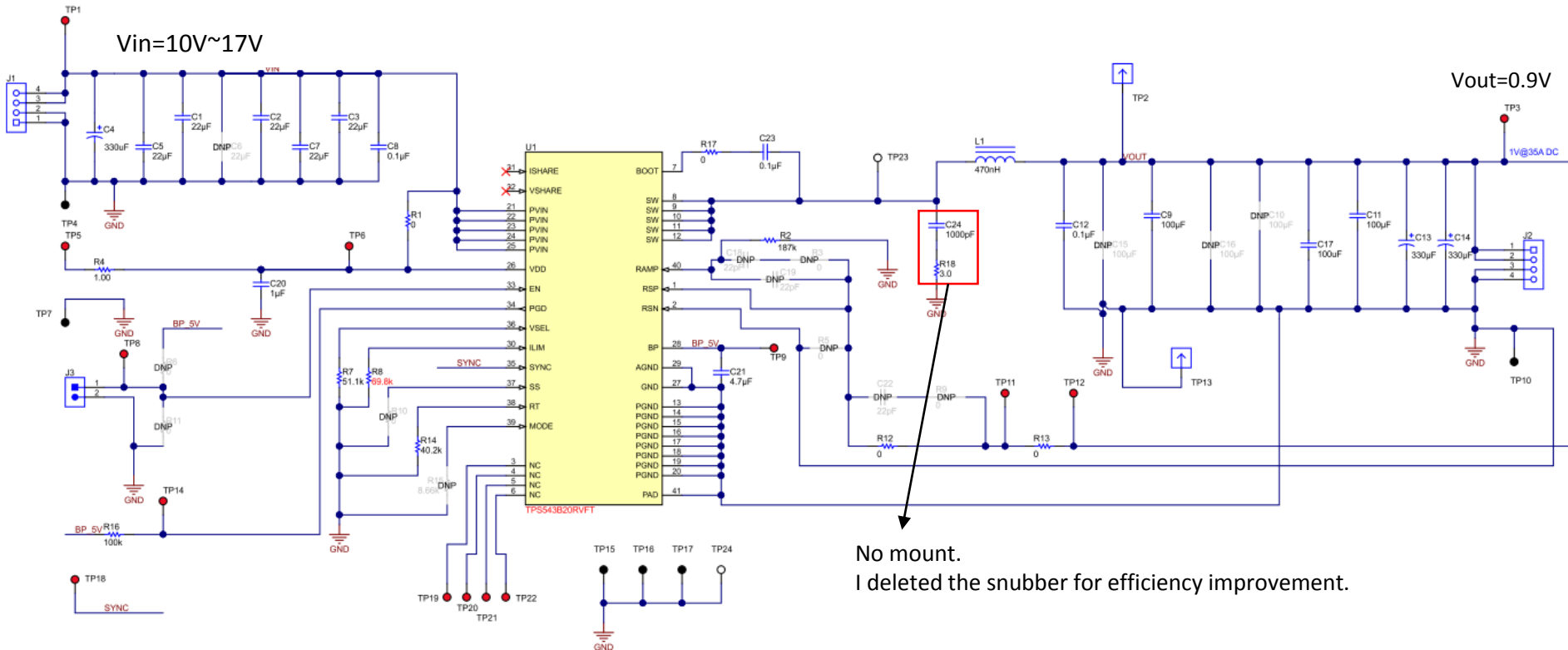


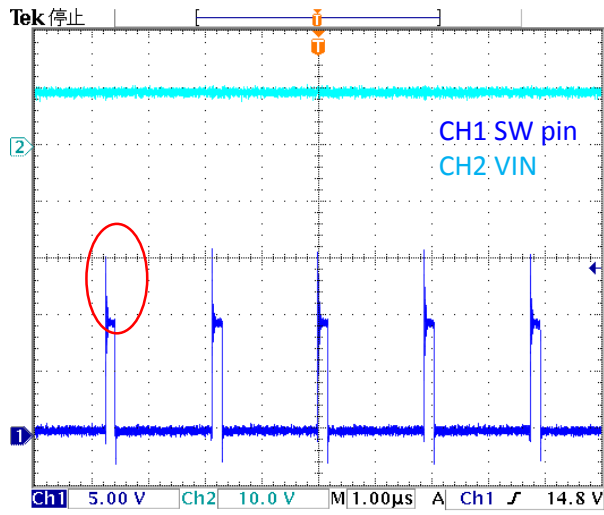
*About TPS543B20 SW pin ringing level*

# TPS543B20EVM-799

## Test Schematic

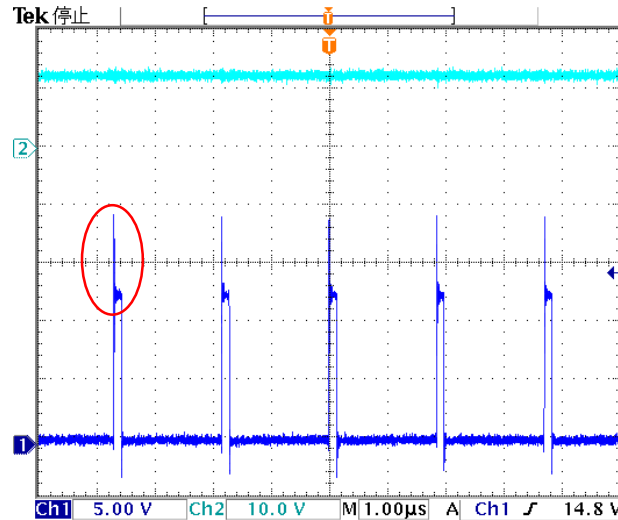


# TPS543B20EVM-799 SW pin waveform



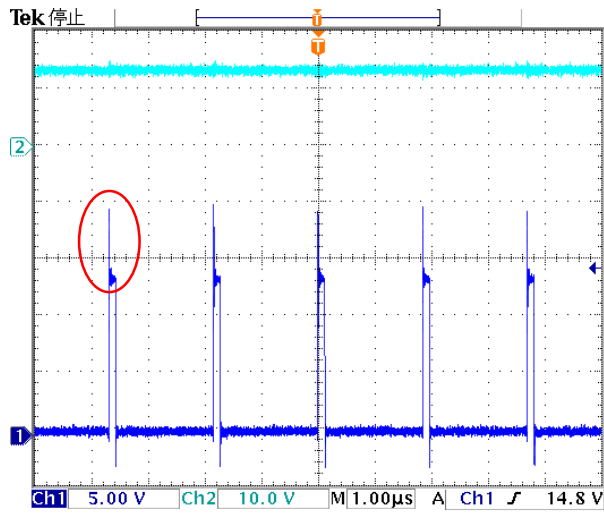
16 Apr 2018  
21:07:29

VIN=10V SW pin waveform



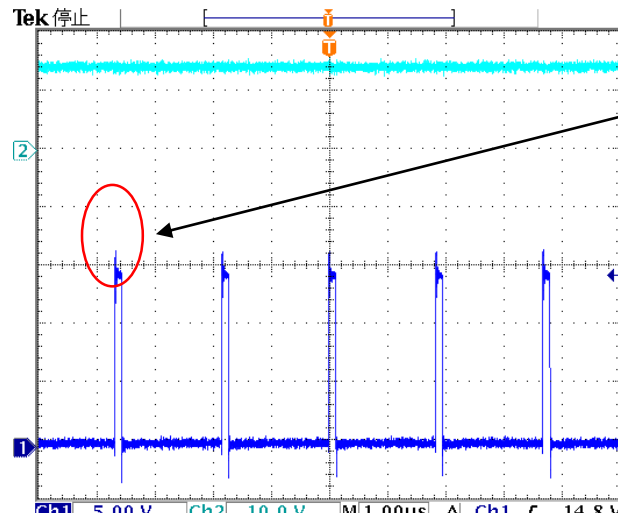
16 Apr 2018  
21:08:19

VIN=13V SW pin waveform



16 Apr 2018  
21:08:53

VIN=14V SW pin waveform



16 Apr 2018  
21:09:24

VIN=15V SW pin waveform

When the input voltage is high (15 V), the ringing becomes small.  
When the input voltage is low (10 V to 14 V), the ringing increases.  
Please tell me the reason.  
Does TPS543B20 have mode switching function depending on input voltage?