

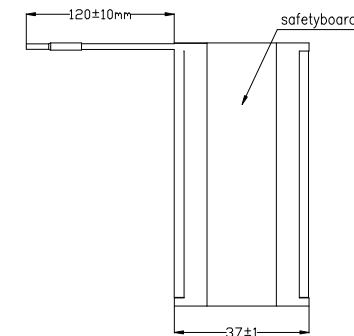
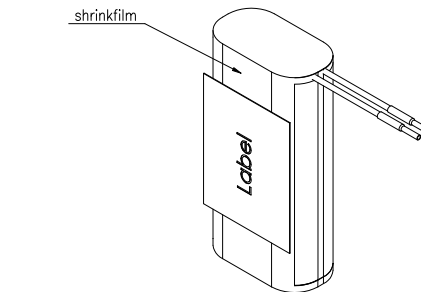
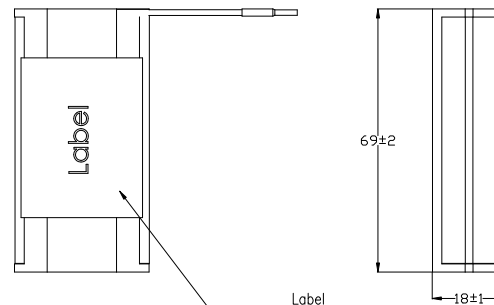
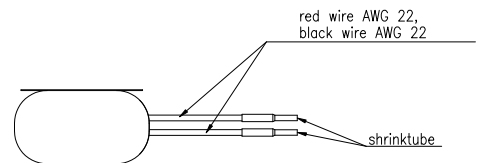
The supplier acknowledges that, with this acceptance of this drawing, he is in a position to manufacture the illustrated part in accordance with the drawing to reproduce the dimensions of the component. The supplier is not responsible for any errors in the drawing. The drawing is not to be used for any other purpose without the written approval of the manufacturer.

This drawing may not be copied, reproduced or made available to third parties for any use without written or prior written approval.

- Technische Daten/  
technical data : Akkupack/  
battery pack
- Chemie/  
chemistry : Li-Ion
- Zellenzahl/  
no. of cells : 2 Zellen/ cells 18650 1S2P LG B4
- Kapazität/  
capacity : nom. 5200mAh discharge at 0.2C  
min. 5000mAh discharge at 0.2C  
ta:20°C; EV(Discharge End Voltage): 2.75V per cell
- Innenwiderstand/  
impedance : < 80mOhm (battery and safetyboard)
- Nominalspannung/  
nominal voltage : 3.7V
- Standard Ladespannung/  
standard charge voltage : 4.2V±1%
- Standard Entladespannung/  
standard discharge voltage : 2.75V
- Nominaler Ladestrom/  
nominal charge current : 0.5C
- Maximaler Ladestrom/  
maximum charge current : 3000mA (limited by safetyboard)
- Ladeendstrom/  
charge end current : 0.01C recommended
- Maximaler Entladestrom/  
maximum discharge current : 3000mA (limited by safetyboard)
- Anwendungstemperaturbereich/  
ambient temperature range : 0°C...+45°C charge  
-20°C...+60°C discharge  
-20°C...+30°C storage max. 1 year  
-20°C...+45°C storage max. 3months
- Selbstentladung/  
self discharge : ≤ 5% / month at20°C  
≤ 10% / month at30°C  
≤ 20% / month at40°C
- Standards/ : UN 3480, Subsection 38.3  
All cells and battery packs type tested according to UN manual of test and criteria subsection 38.3

- Technische Daten/  
technical data : Sicherheitsschaltung/  
safety board
- Überladeschutzspannung/  
over charge voltage detection : 4.25V±25mV per cell
- Wiedereinschaltspannung/  
over charge release voltage : 4.05V±50mV per cell
- Entladeabschaltspannung/  
over discharge detection voltage : 2.5V±62mV per cell
- Wiedereinschaltspannung/  
over discharge release voltage : 2.85V±250mV per cell
- Nominaler Lade/Entladestrom/  
nominal operating current : 3A
- Entlade Abschaltstrom/  
discharge cut off current : 8.5A± 2A
- Kurzschlusschutz/  
short circuit protection : gegen äußeren Kurzschluss/  
against external short circuit
- Temperaturswitcher/  
temperature switch : ---
- MOSFET : in Masse  
in Gnd

- Rückstellkriterium/  
release condition : Last trennen, Aktiv nach Anladen/  
cut load, release after charging up
- Nettogewicht/  
net weight : ca./ approx. 100g
- Leiterplattenmaterial/  
pcb material : FR4
- Standards : CE



battery pack covered with 2 layers of shrinktube

|  |                 |  |                                     |   |                                  |
|--|-----------------|--|-------------------------------------|---|----------------------------------|
| Verwendungsbereich/Application range<br>für Anfrage/for inquiry AN-IS-2013-00425 |                 | Zul. Abweichung/<br>Allowable deviation                      | Oberfläche/<br>Surface              | Maßstab/Scale (DIN A2): 1:1                     | Gewicht/Weight                   |
|  |                 | Atollgemeintoleranz<br>DIN ISO 2768-m                        |                                     | Werkstoff/Work material, Modell-Nr.             |                                  |
|  |                 | 2013   | Datum/Date Name                     | Zeichnungsname/Drawing name                     |                                  |
|  |                 | Erstellt/<br>Drawn by  | 23.10. JE                           | Li-Ion Battery 3.7V 5200mAh<br>with safetyboard |                                  |
|  |                 | Zeichnungsnummer/Drawing number<br>Artikelnummer/Part number |                                     |   | Blatt/<br>Sheet                  |
| A ---  |                 | XX.XX.XX   | JE                                  | 2447-3033-01<br>1                               |                                  |
| Version  | Änderung/Change | Datum/Date Name  | Ursprung/Origin Proj. IS-2013-00425 | Ersatz für/Replaced by                          | Ersatz durch/Replacement through |