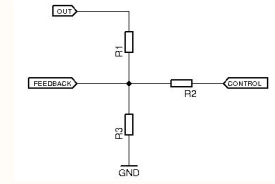


**Output Voltage Range: 18VDC to 24VDC**

**Output Voltage Range: 18VDC to 24VDC**

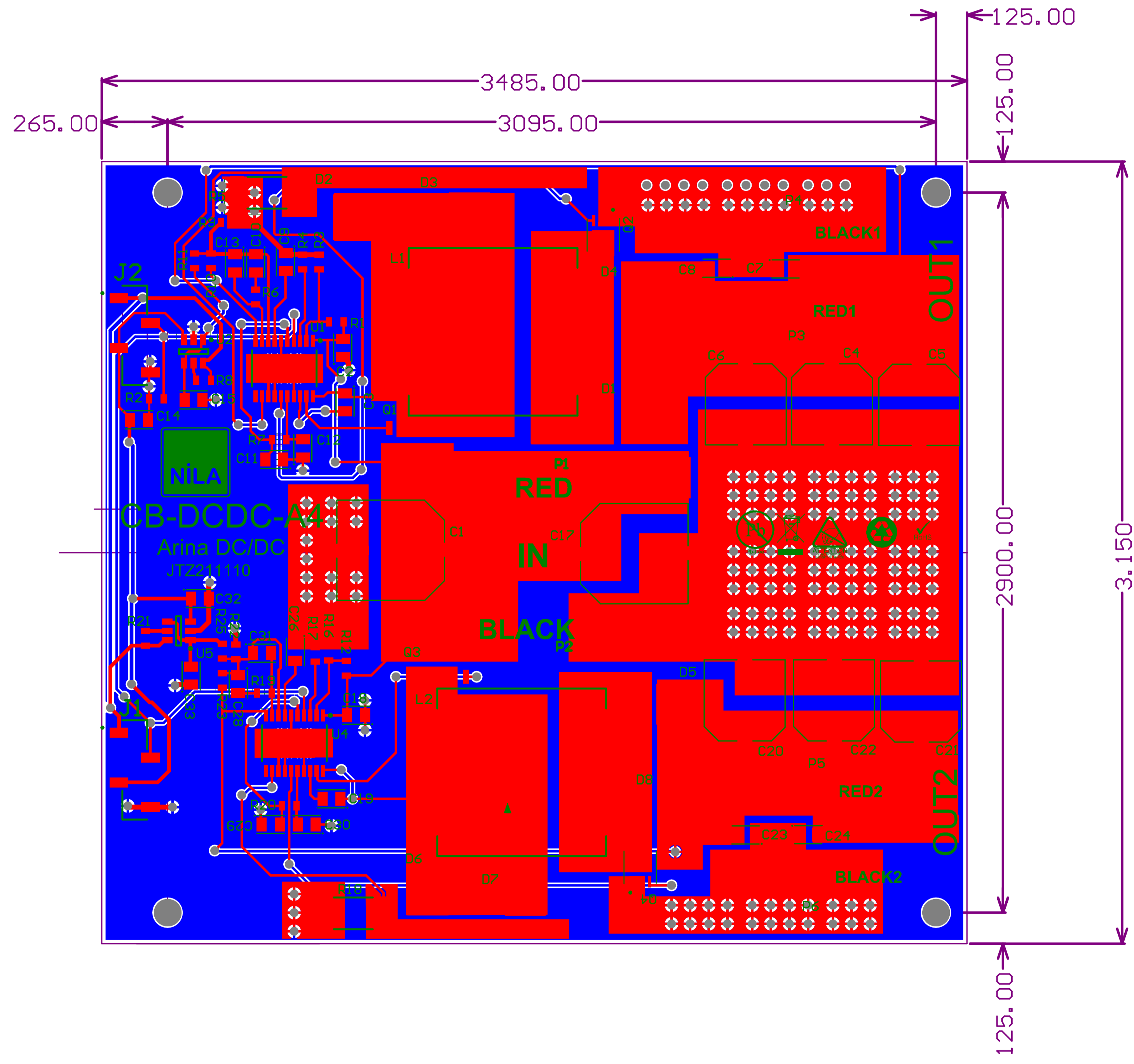
Possible 2 pots may be needed for unit to unit adjustment

<https://www.fischl.de/dcdccontrol/>



Feedback voltage: 1.23 V  
 Resistor R3: 1000 Ohm  
 Output voltage range: 18 V to 24 V  
 Control voltage range: 0 V to 3 V  
 R1 = 16512.20 Ohm  
 R2 = 8256.10 Ohm

Title			<b>Arina DC/DC 18-24VDC @ 4.2A</b>		
Size	Number	Revision			
B		<b>CB-DCDC-A4 Sch</b>			<b>A</b>
Date:	4/15/2022	Sheet of			
File:	C:\Users\...Arina 24V DCDC 4.2A_1.Sch	Drawn By:			

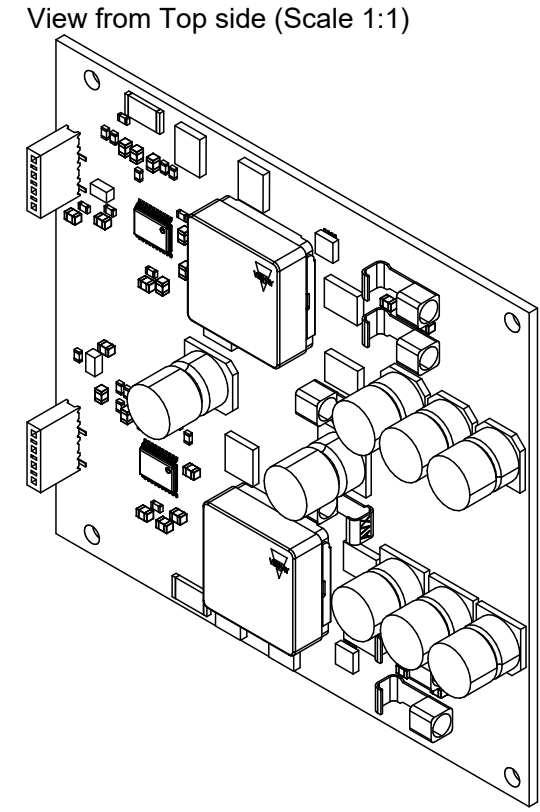
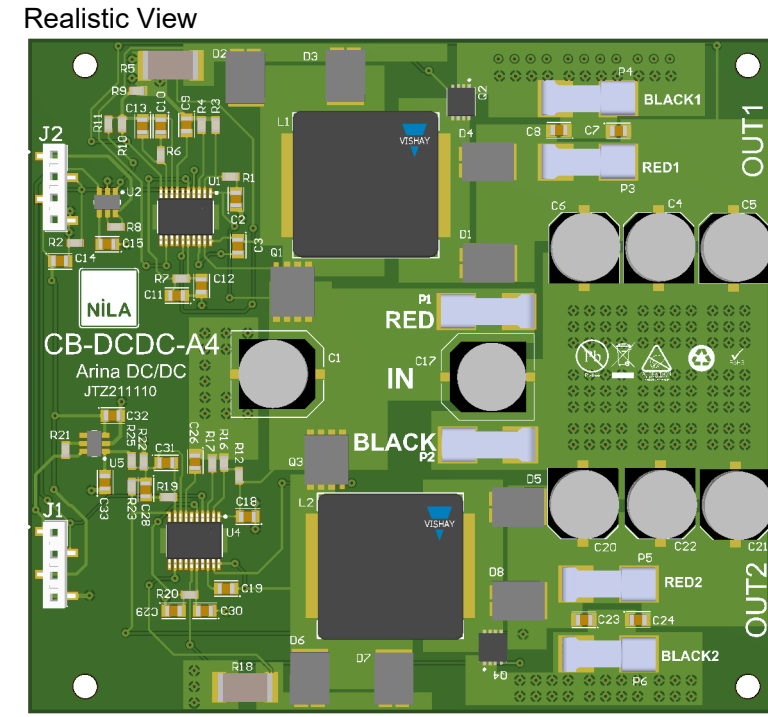
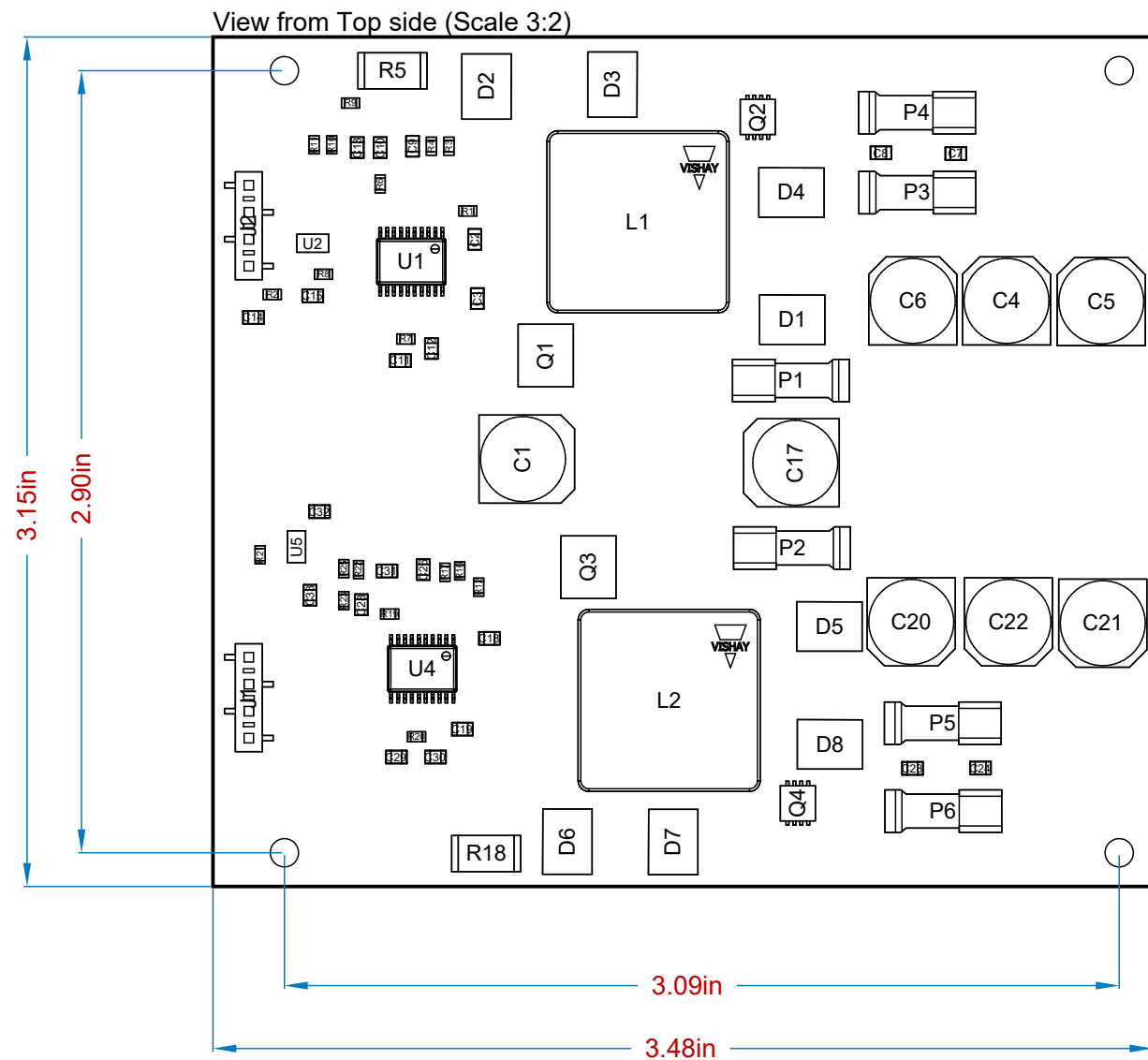


- NOTES:**
1. FR4 2oz both side, .062"
  2. Solder Mask Green, White Ink.



www.nila.tv

ENGINEER:	JTZ	TITLE:	
PCB DESIGNER:	JTZ	ARINA DC/DC 24V 4.2A	
DATE:	4/15/2022	PART NO.:	CB-DCDC-A4
FILE NAME:	Arina 24V DCDC.PcbDoc	DWG NO.:	SCALE:



A Changed resistor R10, R23 to 15.4K 4/3/22 JTZ

Bill Of Materials

#	Designator	Name	QTY	Manufacturer 1	Manufacturer Part Number 1	Supplier 1	Supplier Part Number 1
1	C1, C17	15uF	2	Panasonic	100SXV15M	Digi-Key	P18926CT-ND
2	C2, C3, C18, C19	100nF	4	TDK	C2012X7R2A104K125AA	Digi-Key	445-1418-1-ND
3	C4, C5, C6, C20, C21, C22	68uF	6	Panasonic	EEHZA1H680P	Digi-Key	P15445CT-ND
4	C7, C8, C23, C24	470nF	4	Kyocera AVX	08051C474KAZ2A	Digi-Key	478-6355-1-ND
5	C9, C26	22nF	2	KEMET	C0805C223K5RACTU	Digi-Key	399-1163-1-ND
6	C10, C28	8.2nF	2	TDK	C2012C0G1H822K060AA	Digi-Key	445-14325-1-ND
7	C11, C29	1.2nF	2	Vishay Vitramon	VJ0805D122KXXAJ	Digi-Key	720-1342-1-ND
8	C12, C30	1uF	2	Murata	GCM21BC72A105KE36L	Digi-Key	490-14436-1-ND
9	C13, C31	330pF	2	KEMET	C0805C331K5RACTU	Digi-Key	399-1140-1-ND
10	C14, C15, C32, C33	1uF	4	Kyocera AVX	08055D105KAT2A	Digi-Key	478-5995-1-ND
11	D1, D2, D3, D4, D5, D6, D7, D8	Diode Schottky DPAK	8	ON Semiconductor / Fairchild	FSV20120V	Digi-Key	FSV20120VCT-ND
12	J1, J2	Header 4	2	Samtec	SSM-104-S-SV	Avnet	SSM-104-S-SV
13	L1, L2	22uH	2	Vishay Dale	IHLP6767GZER220M11	Digi-Key	541-1288-1-ND
14	P1, P2, P3, P4, P5, P6	Plug	6	Kyocera AVX	709296001004006	Digi-Key	478-8665-1-ND
15	Q1, Q3	FDWS86068-F085	2	ON Semiconductor	FDWS86068-F085	Digi-Key	FDWS86068-F085OSCT-ND
16	Q2, Q4	IPZ40N04S5L4R8ATMA1	2	Infineon	IPZ40N04S5L4R8ATMA1	Mouser	726-IPZ40N04S5L4R8AT
17	R1, R12	54.9kR	2	Vishay	CRCW0603549KFKEA	Digi-Key	541-54.9KHCT-ND
18	R2, R8, R21	10kR	3	Yageo	RC0603FR-0710KL	Digi-Key	311-10.0KHRDKR-ND
19	R3, R16	1.96kR	2	Panasonic	ERA-3AED1961V	Mouser	667-ERA-3AED1961V
20	R4, R17	23.7kR	2	Vishay	CRCW0603237KFKEA	Digi-Key	541-23.7KHCT-ND
21	R5, R18	15mR	2	Panasonic	ERJ-A1CJR015U	Mouser	667-ERJ-A1CJR015U
22	R6, R19	18.7kR	2	Panasonic	ERJ3EKF1872V	Digi-Key	P18.7KHCT-ND
23	R7, R20	105kR	2	Panasonic	ERJ-3EKF1053V	Digi-Key	P105KHCT-ND
24	R9, R22	1kR	2	Panasonic	ERA-3AEB102V	Digi-Key	P1.0KDBCT-ND
25	R10, R23	16.5kR	2	Vishay	CRCW060316K5FKEA	Digi-Key	541-16.5KHCT-ND
25	R11, R25	8.25kR	2	Panasonic	ERJ3EKF8251V	Digi-Key	P8.25KHCT-ND
26	U1, U4	LM5118MH/NOPB	2	TI National Semiconductor	LM5118MH/NOPB	Digi-Key	LM5118MH/NOPB-ND
27	U2, U5	AD8591ARTZ-REEL7	2	Analog Devices	AD8591ARTZ-REEL7	RSCComponents	8099241

CD-LEDCON-A4 Assy Rev A

