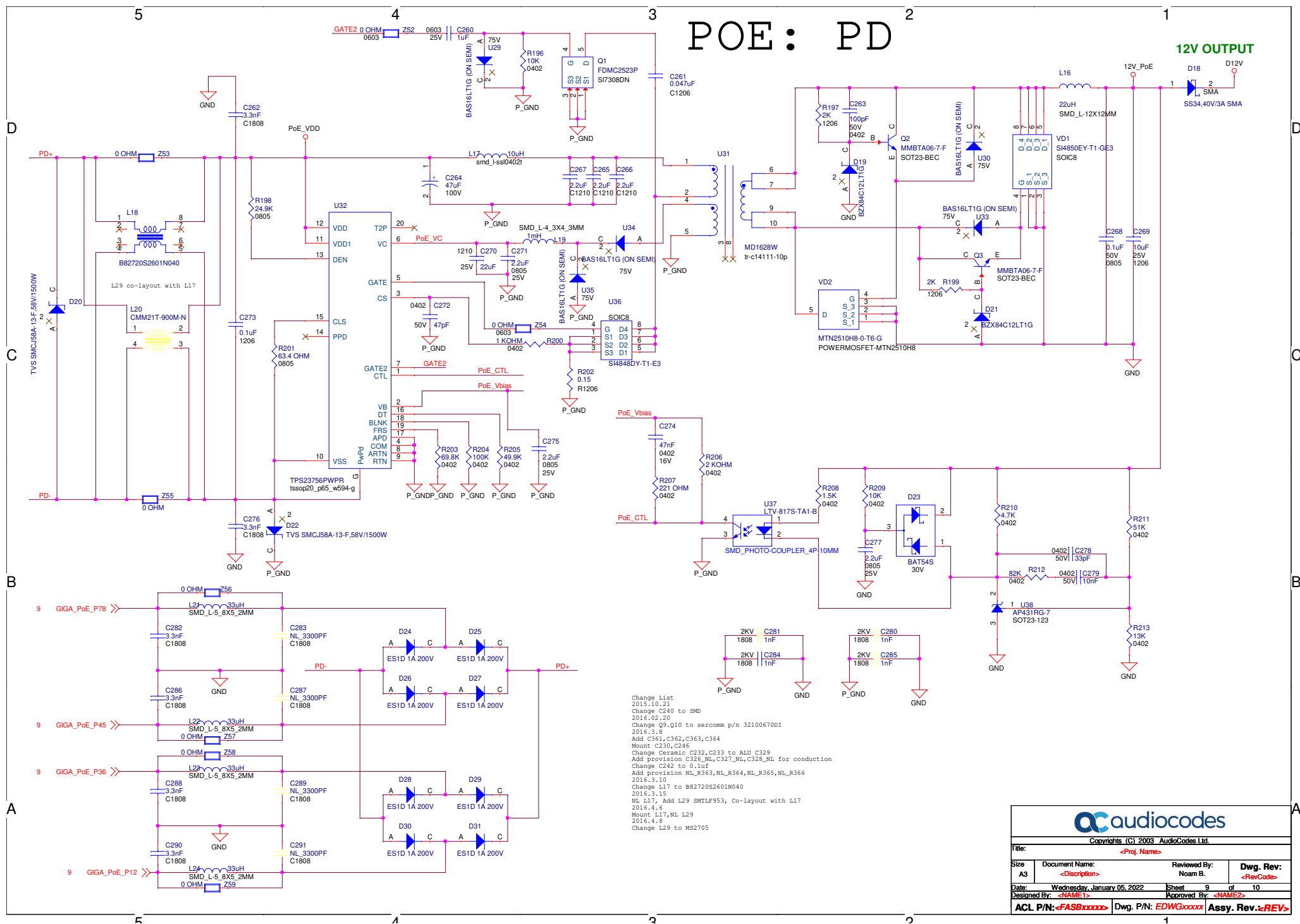


POE: PD



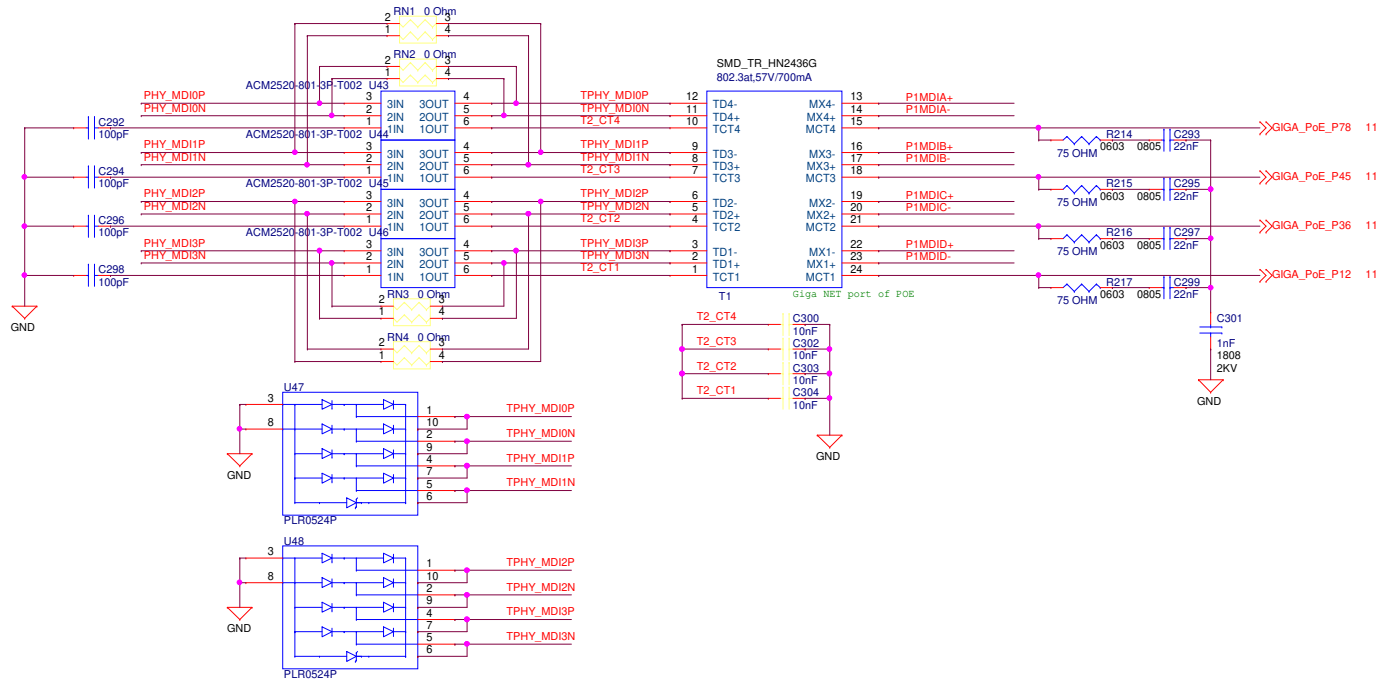
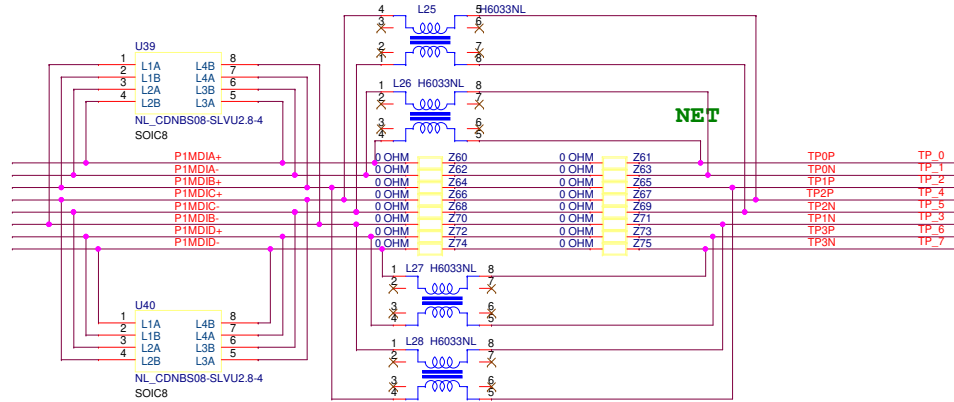
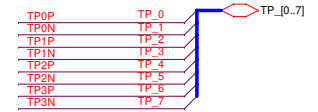
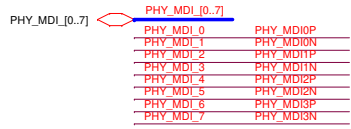
Change List
 2015.10.21
 Change C240 to SMD
 2016.02.20
 Change Q9,Q10 to sercomm p/n 32100670D1
 2016.3.8
 Add C361,C362,C363,C364
 Mount C230,C246
 Change Ceramic C232,C233 to ALU C329
 Add provision C326_NL,C327_NL,C328_NL for conduction
 Change C242 to 0.1uF
 Add provision NL_R363,NL_R364,NL_R365,NL_R366
 2016.3.10
 Change L17 to B82720S2601N040
 2016.3.15
 NL L17, Add L29 SMTLF953, Co-layout with L17
 2016.4.6
 Mount L17,NL L29
 2016.4.8
 Change L29 to MS2705

Copyrights (C) 2003 AudioCodes Ltd.			
File: <Proj. Name>			
Size A3	Document Name: <Description>	Reviewed By: Noam B.	Dwg. Rev: <RevCode>
Date: Wednesday, January 05, 2022	Designed By: <NAME1>	Approved By: <NAME2>	Sheet 9 of 10
ACL P/N: <FASBxxxx>		Dwg. P/N: EDWGxxxx	Assy. Rev.: <REV>

TRANSFORMER

The signals between the PHY and transformer

The signals between the transformer and RJ45



audiocodes
Copyrights (C) 2003 AudioCodes Ltd.

File: <Proj, Name>

Size A3	Document Name: <Discription>	Reviewed By: Noam B.	Dwg. Rev: <RevCode>
Date: Monday, January 03, 2022	Sheet 10 of 10	Designed By: <NAME1>	Approved By: <NAME2>

ACL P/N: <FASBxxxx> Dwg. P/N: EDWGxxxxx Assy. Rev.: <REV>