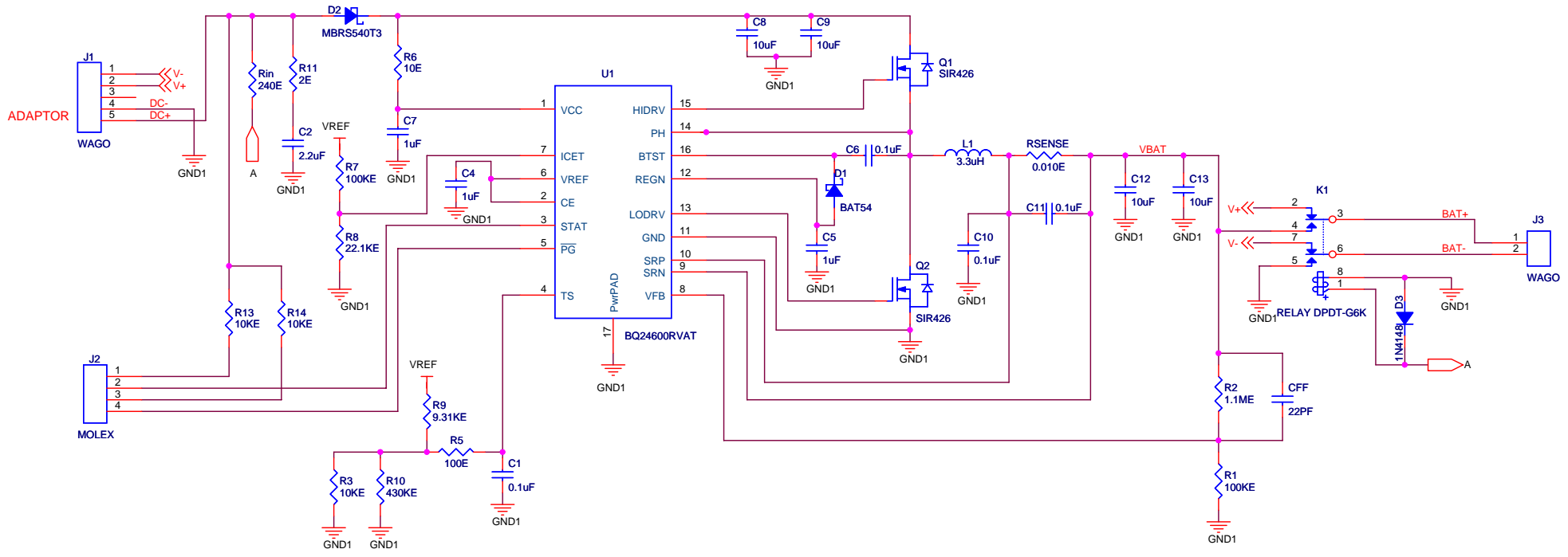


# BATTERY CHARGING



Title		<b>BATTERY CHARGING</b>
Size	Document Number	Rev
B	<Doc>	<RevCode>
Date: Wednesday, November 09, 2016		Sheet 1 of 1