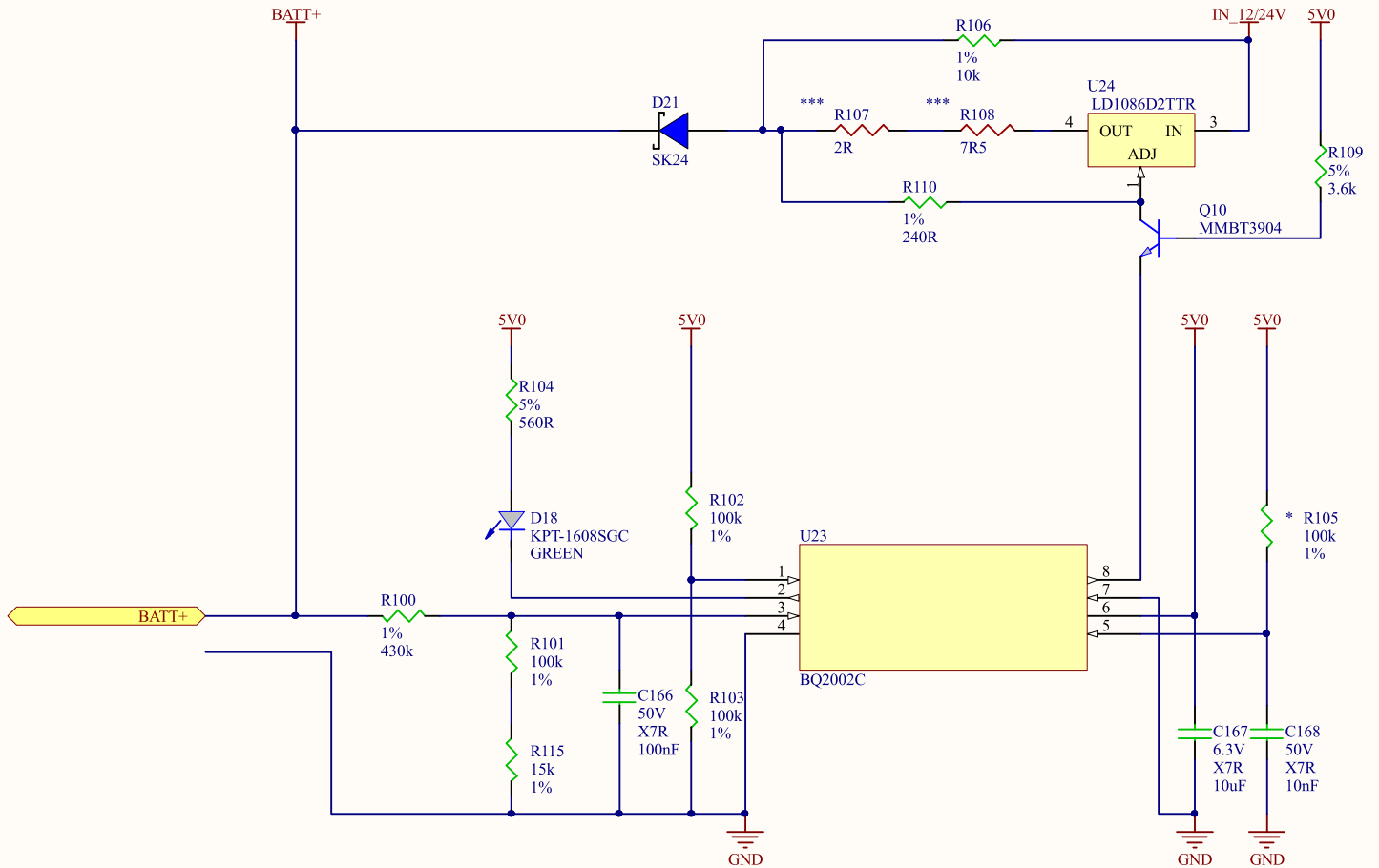


## BATTERY CHARGER



LED Indication		TM Settings**	
ON	Fast Charge	R102 = 100k R103 = 100k	C/2 (default)
Flashing	Vbat too low	R102 = NM R103 = 0R	1C
OFF	Pulse Trickle Charge (Compensate self-discharge)	R102 = 0R R103 = NM	2C

**NOTES:**

- \* R105 - PU disable temperature monitoring;
- \*\* For more details check in Table 1 at BQ2002C datasheet;
- \*\*\* R107+R108 determine 1C charging current ( $I_{ch}=1.25/(R107+R108)$ );