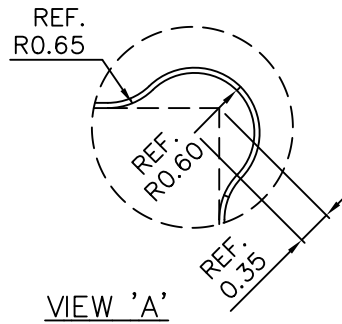
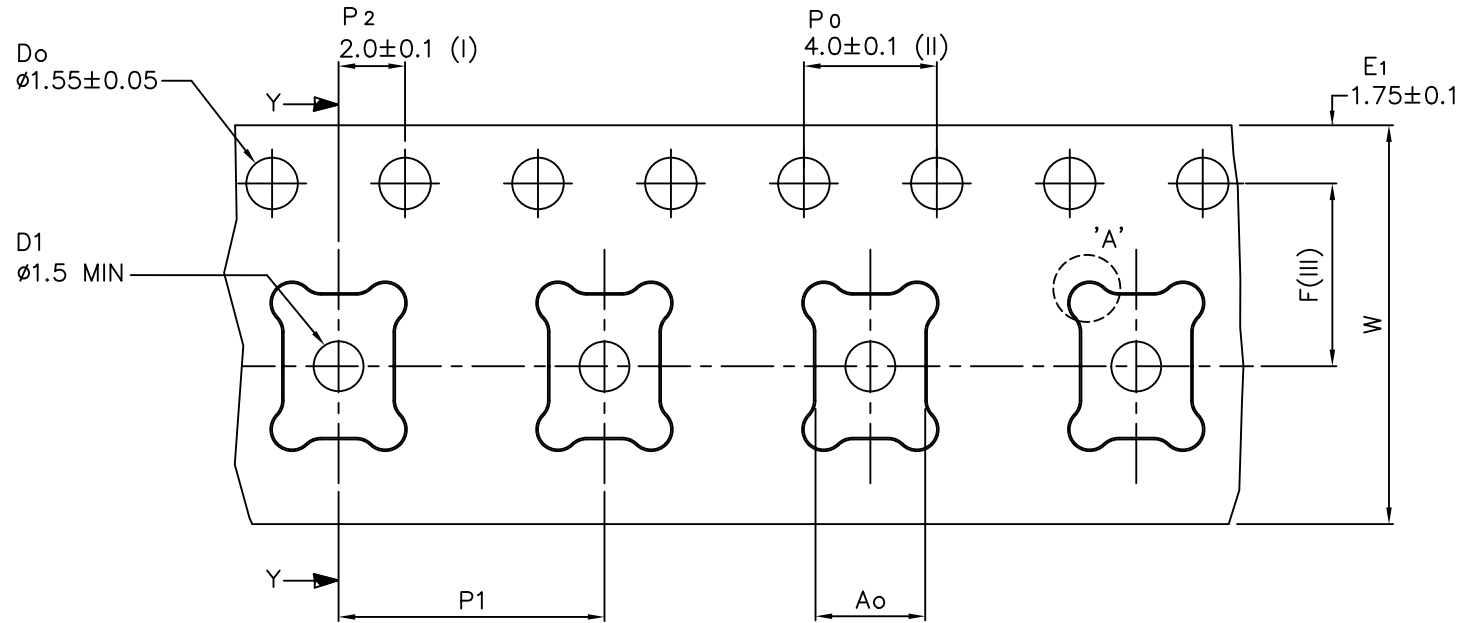


SECTION Y-Y



- (I) Measured from centreline of sprocket hole to centreline of pocket.
- (II) Cumulative tolerance of 10 sprocket holes is ± 0.20 .
- (III) Measured from centreline of sprocket hole to centreline of pocket.
- (IV) Other material available.

ALL DIMENSIONS IN MILLIMETRES UNLESS OTHERWISE STATED.

Ao	3.30	+/-	0.1
Bo	4.30	+/-	0.1
Ko	1.10	+/-	0.1
F	5.50	+/-	0.1
P1	8.00	+/-	0.1
W	12.00	+/-	0.3



C-PAK PTE LTD

MATERIAL: CONDUCTIVE POLYSTYRENE (IV)		1st Angle 3rd Angle	REV	DESCRIPTION	DATE	APPROVED
DRAWN: Rajesh		GENERAL TOLERANCE: ± 0.2		0	NEW DRAWING	04.09.01
DRAWING NO: CP194/01-0		SCALE: NTS		1	Device Description QFN 4x3 is changed to DFN 3x4 Package name is changed from BD0400x0300 to DFN0300x0400A	27.09.01
TITLE: OPEN TOOL EMBOSSED CARRIER TAPE DIMENSIONS DFN 4x3 (BD0300X0400A)				2	Title was DFN3x4 (BD0300x0400A)	28.09.01