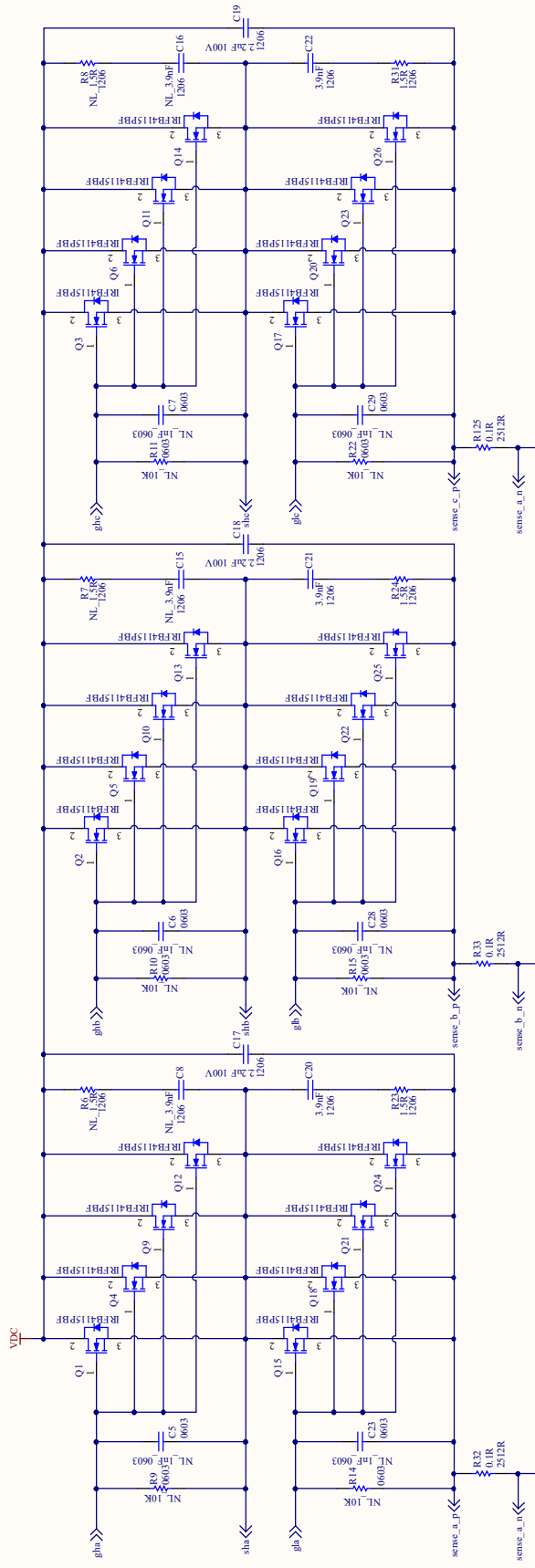


# POWER\_MOSFET\_IRFB4115PBF



## Current Sense Amplifier (V,I)

