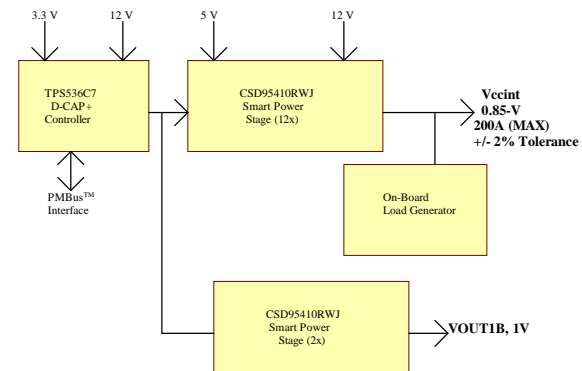
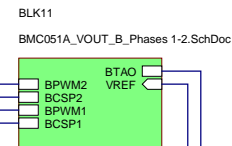
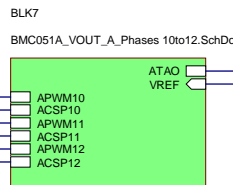
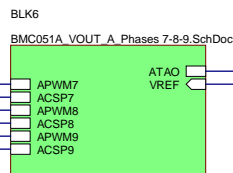
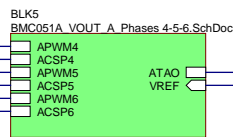
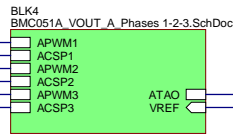
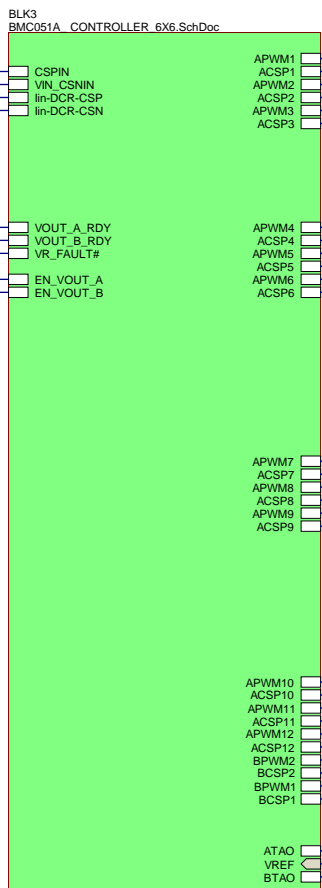
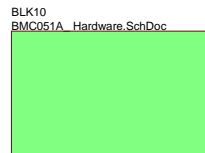
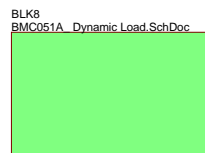
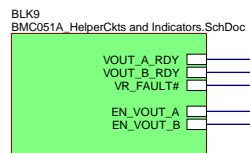
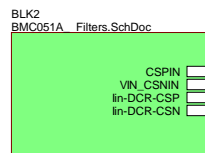
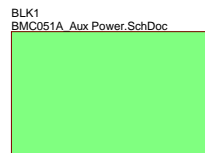


Revision History				
Rev	ECN #	Approved Date	Approved by	Notes
N/A	N/A	N/A	N/A	N/A

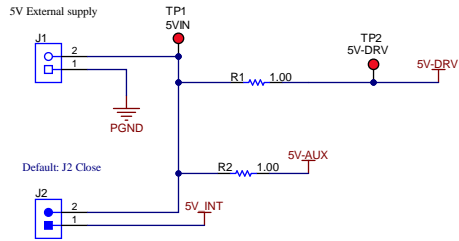


Texas Instruments and/or its licensors do not warrant the accuracy or completeness of this specification or any information contained therein. Texas Instruments and/or its licensors do not warrant that this design will meet the specifications, will be suitable for your application or fit for any particular purpose, or will operate in an implementation. Texas Instruments and/or its licensors do not warrant that the design is production worthy. You should completely validate and test your design implementation to confirm the system functionality for your application.

Orderable: TPS536C7EVM-051	Designed for: Public Release	Mod. Date: 24-06-2020
TID #: N/A	Project Title: BMC051A	
Number: BMC051A	Rev: A	Sheet Title:
SVN Rev: Not in version control	Assembly Variant: 001	Sheet: 1 of 12
Drawn By:	File: BMC051A_CoverSheet.SchDoc	Size: B
Engineer: Pamidi, Ramasiddaiah	Contact: http://www.ti.com/support	http://www.ti.com

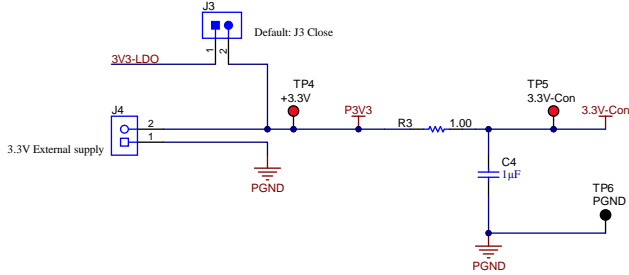


© Texas Instruments, 2019

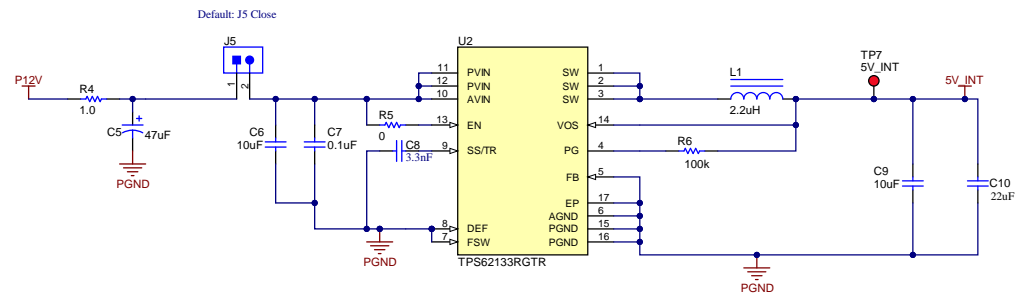
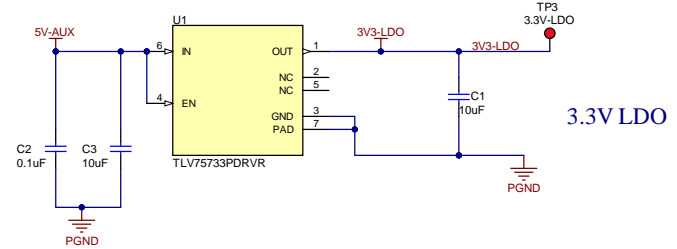


3.3V (controller only) can be supplied externally or from on-board LDO

J3 Short: 3.3V derived from LDO, No External Needed
 J3 Open: 3.3V Externally Supplied



On-board LDO
 3.3V for controller if not supplied externally

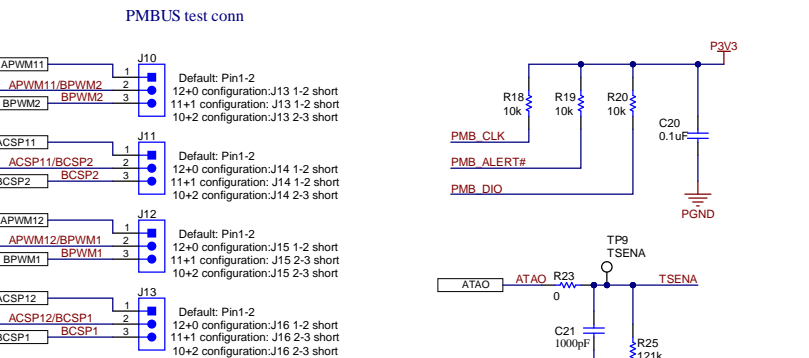
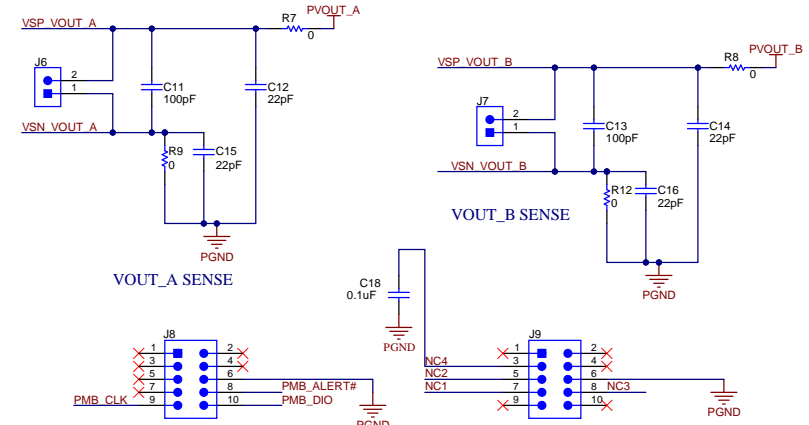
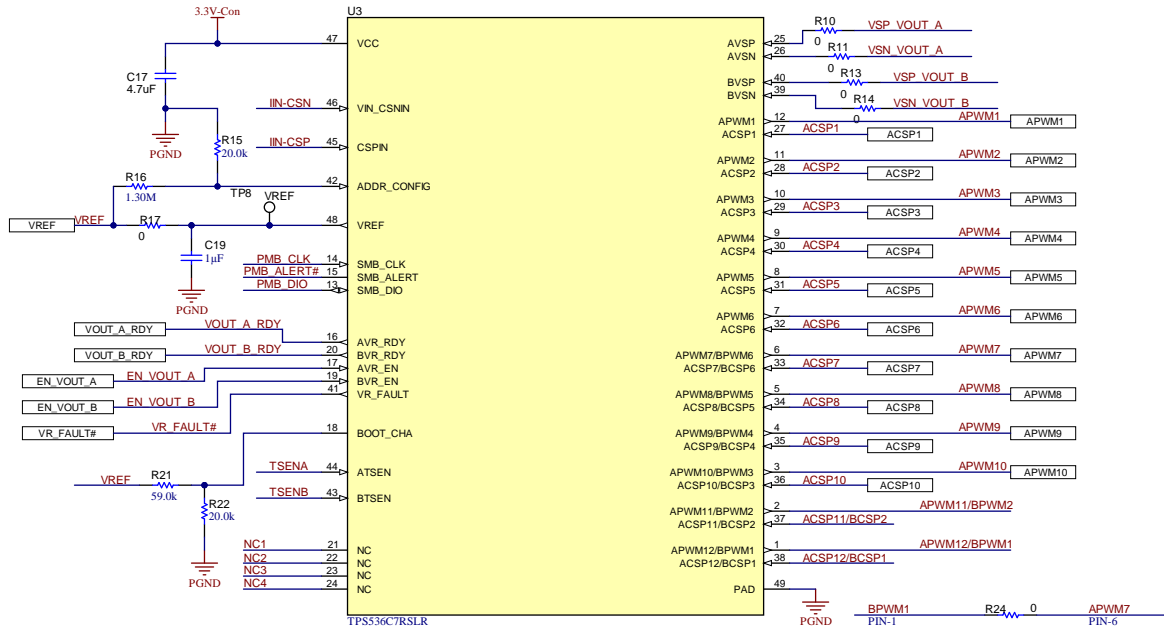


Orderable: TPS536C7EVM-051	Designed for: Public Release	Mod. Date: 19-06-2020
TID #: N/A	Project Title: BMC051A	
Number: BMC051A	Rev: A	Sheet Title:
SVN Rev: Not in version control	Assembly Variant: 001	Sheet 2 of 12
Drawn By:	File: BMC051A_Aux Power_SchDoc	Size: B
Engineer: Pamidi, Ramasiddaiah	Contact: http://www.ti.com/support	http://www.ti.com

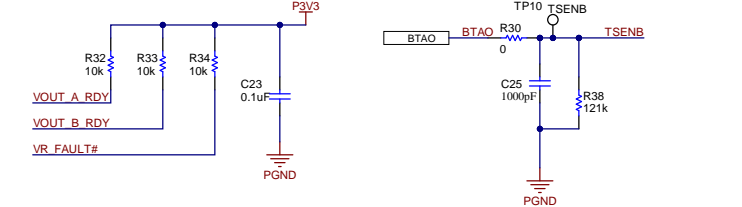
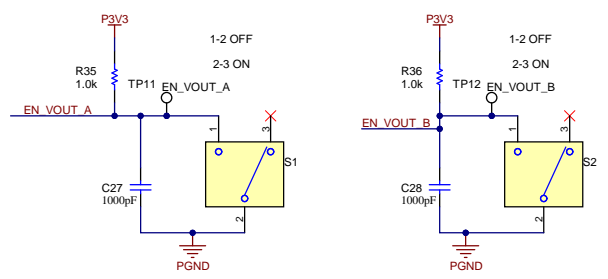
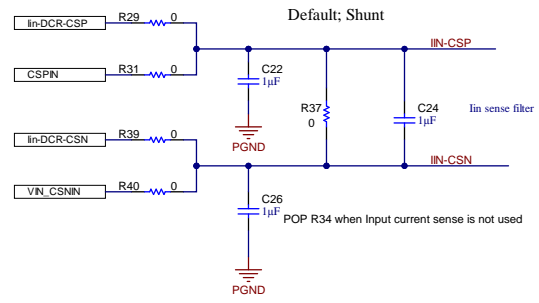
Texas Instruments and/or its licensors do not warrant the accuracy or completeness of this specification or any information contained therein. Texas Instruments and/or its licensors do not warrant that this design will meet the specifications, will be suitable for your application or fit for any particular purpose, or will operate in an implementation. Texas Instruments and/or its licensors do not warrant that the design is production worthy. You should completely validate and test your design implementation to confirm the system functionality for your application.



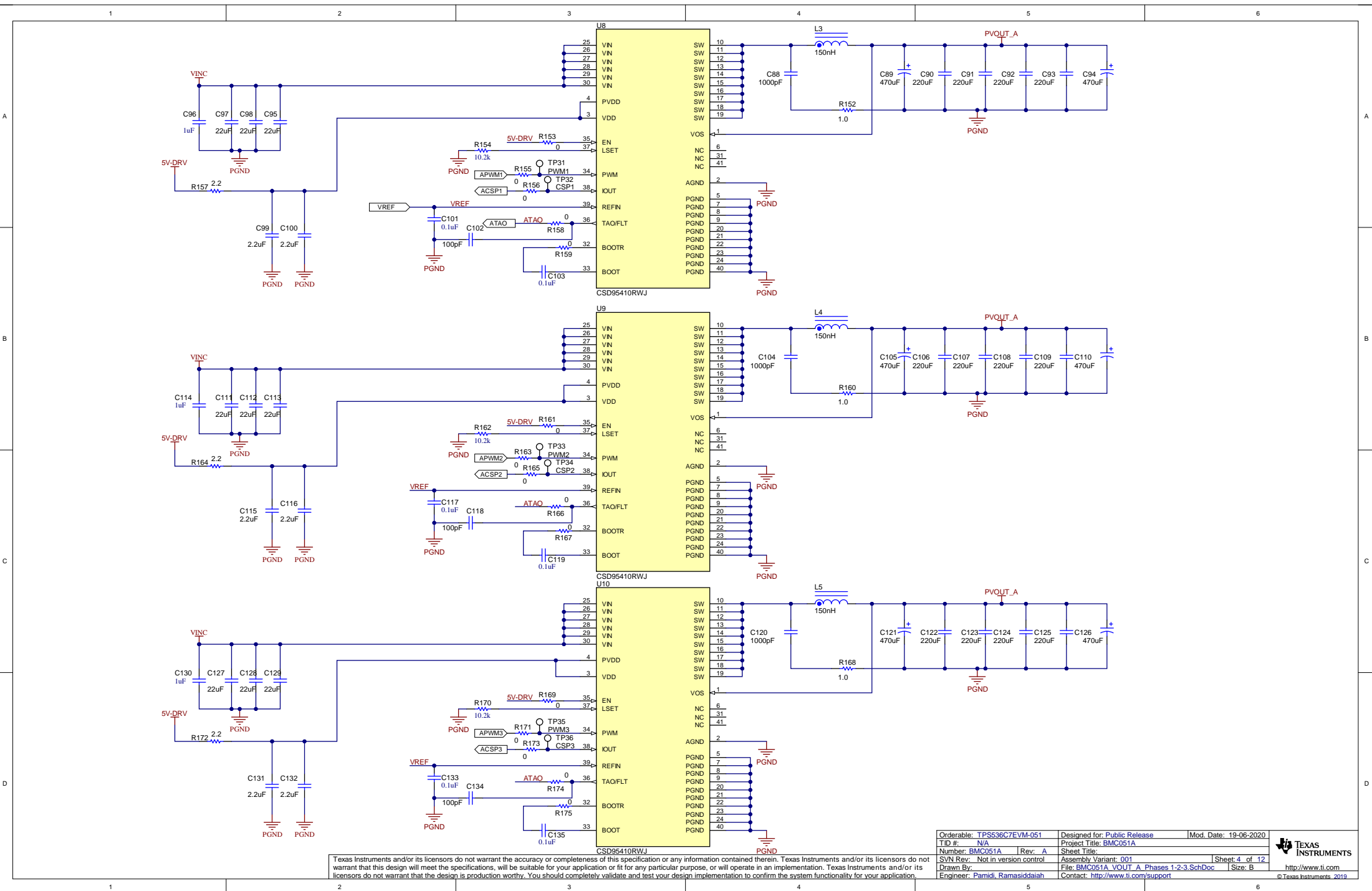
RAILA: VoutA=0.88V
 Iout = 400A Max
 Load step = 225A
 Droop(DCLL) = 0 mohm
 AC+DC ripple = +/- 3%
 Boot voltage = 0.88V
 RAILA: VoutB=1V
 IoutB = 70A Max
 Droop(DCLL) = 0 mohm
 AC+DC ripple = +/- 3%



Select DCR or Shunt
 Default: Shunt



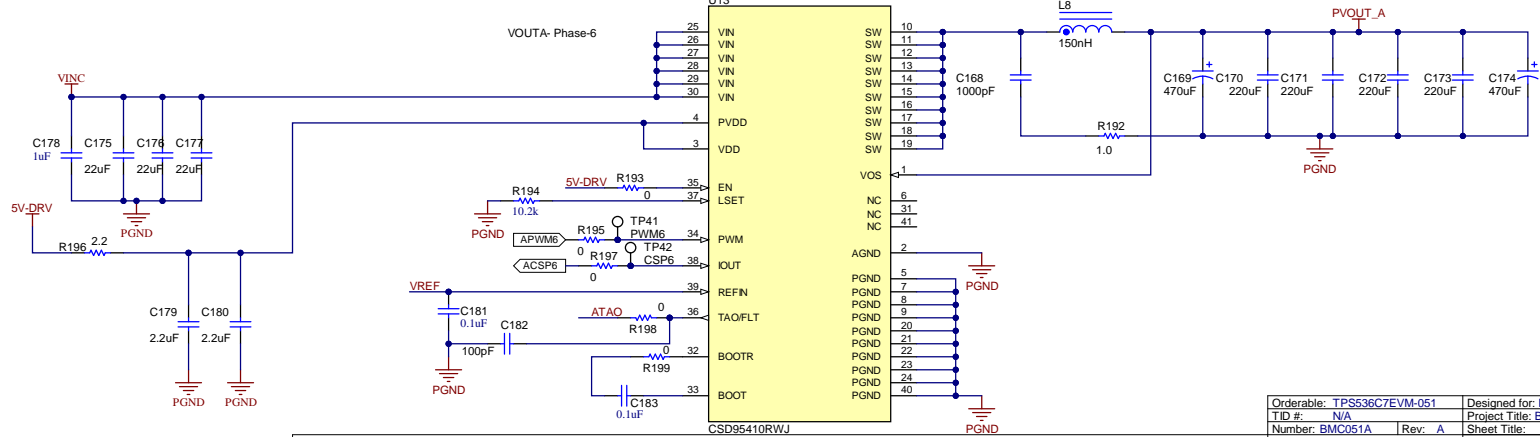
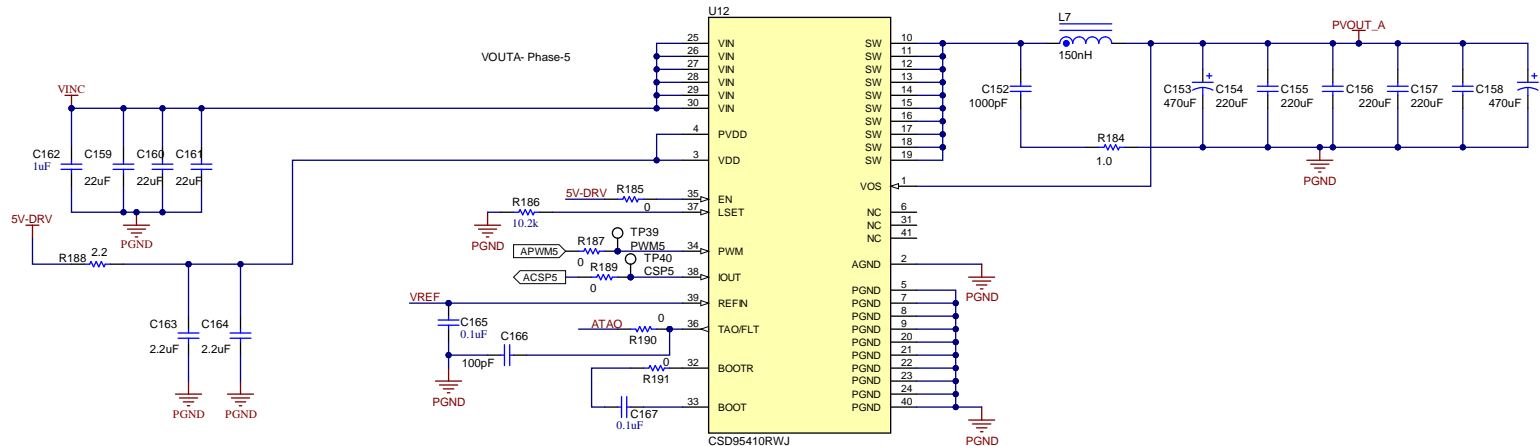
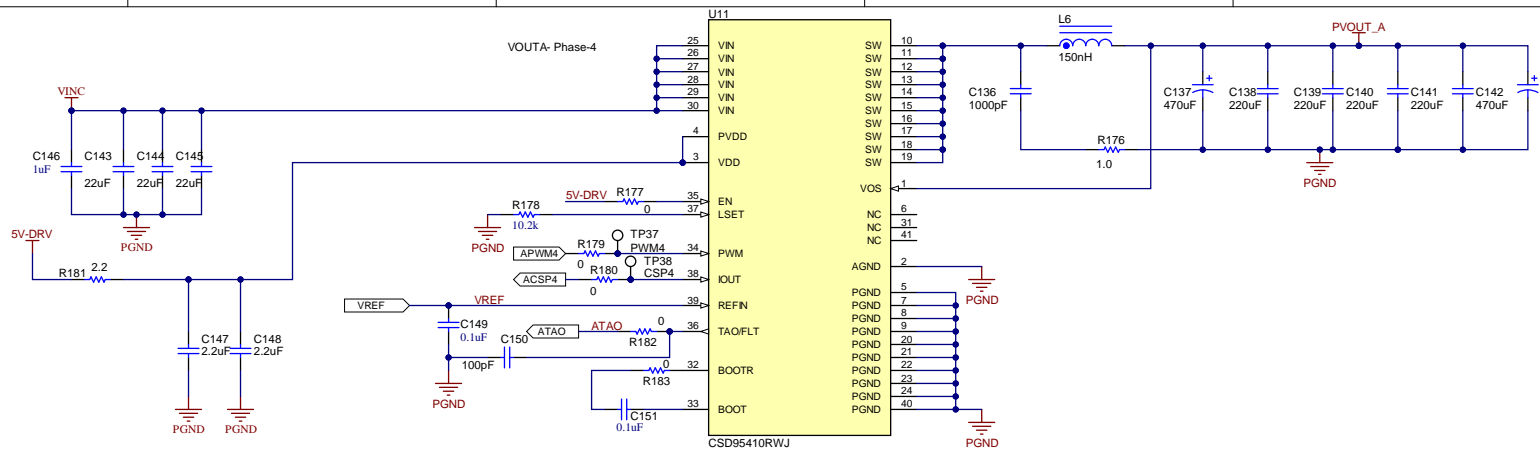
Texas Instruments and/or its licensors do not warrant the accuracy or completeness of this specification or any information contained therein. Texas Instruments and/or its licensors do not warrant that this design will meet the specifications, will be suitable for your application or fit for any particular purpose, or will operate in an implementation. Texas Instruments and/or its licensors do not warrant that the design is production worthy. You should completely validate and test your design implementation to confirm the system functionality for your application.



Texas Instruments and/or its licensors do not warrant the accuracy or completeness of this specification or any information contained therein. Texas Instruments and/or its licensors do not warrant that this design will meet the specifications, will be suitable for your application or fit for any particular purpose, or will operate in an implementation. Texas Instruments and/or its licensors do not warrant that the design is production worthy. You should completely validate and test your design implementation to confirm the system functionality for your application.

Orderable: TPSS367EVM-051	Designed for: Public Release	Mod. Date: 19-06-2020
TID #: N/A	Project Title: BMC051A	
Number: BMC051A	Rev: A	Sheet Title:
SVN Rev: Not in version control	Assembly Variant: 001	Sheet 4 of 12
Drawn By:	File: BMC051A_VOUT_A_Phases 1-2-3_SchDoc	Size: B
Engineer: Pamidi, Ramasiddaiah	Contact: http://www.ti.com/support	http://www.ti.com

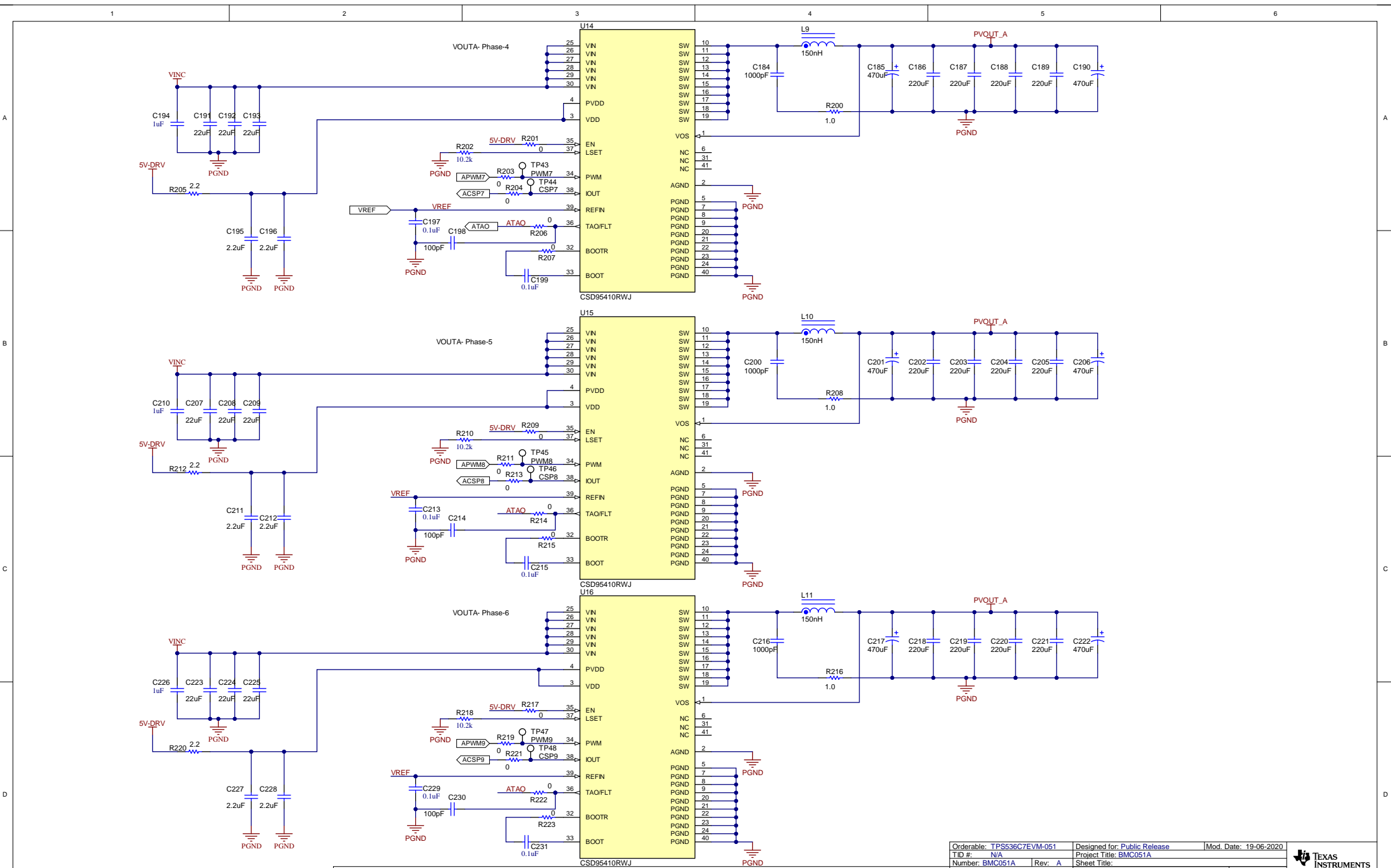




Texas Instruments and/or its licensors do not warrant the accuracy or completeness of this specification or any information contained therein. Texas Instruments and/or its licensors do not warrant that this design will meet the specifications, will be suitable for your application or fit for any particular purpose, or will operate in an implementation. Texas Instruments and/or its licensors do not warrant that the design is production worthy. You should completely validate and test your design implementation to confirm the system functionality for your application.

Orderable: TPSS36CEVM-051	Designed for: Public Release	Mod. Date: 19-06-2020
TID #: N/A	Project Title: BMC051A	
Number: BMC051A	Rev: A	Sheet Title:
SVN Rev: Not in version control	Assembly Variant: 001	Sheet 5 of 12
Drawn By:	File: BMC051A_VOUT_A_Phases 4-5-6_SchDoc	Size: B
Engineer: Pamidi, Ramasiddaiah	Contact: http://www.ti.com/support	http://www.ti.com

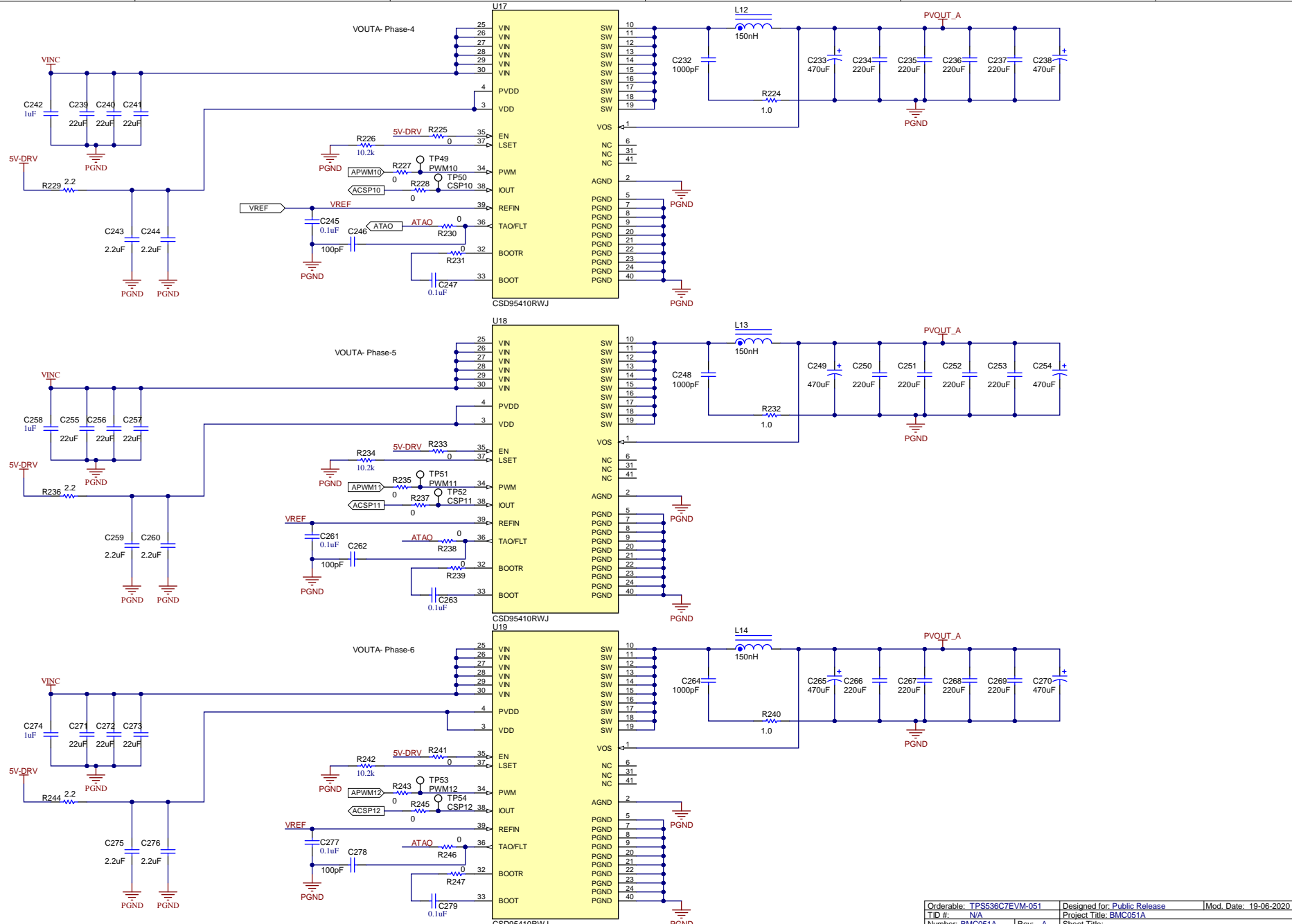




Texas Instruments and/or its licensors do not warrant the accuracy or completeness of this specification or any information contained therein. Texas Instruments and/or its licensors do not warrant that this design will meet the specifications, will be suitable for your application or fit for any particular purpose, or will operate in an implementation. Texas Instruments and/or its licensors do not warrant that the design is production worthy. You should completely validate and test your design implementation to confirm the system functionality for your application.

Orderable: TPSS36C7EVM-051	Designed for: Public Release	Mod. Date: 19-06-2020
TID #: N/A	Project Title: BMC051A	
Number: BMC051A	Rev: A	Sheet Title:
SVN Rev: Not in version control	Assembly Variant: 001	Sheet 6 of 12
Drawn By:	File: BMC051A_VOUT_A_Phases 7-8-9_SchDoc	Size: B
Engineer: Pamidi, Ramasiddaiah	Contact: http://www.ti.com/support	http://www.ti.com

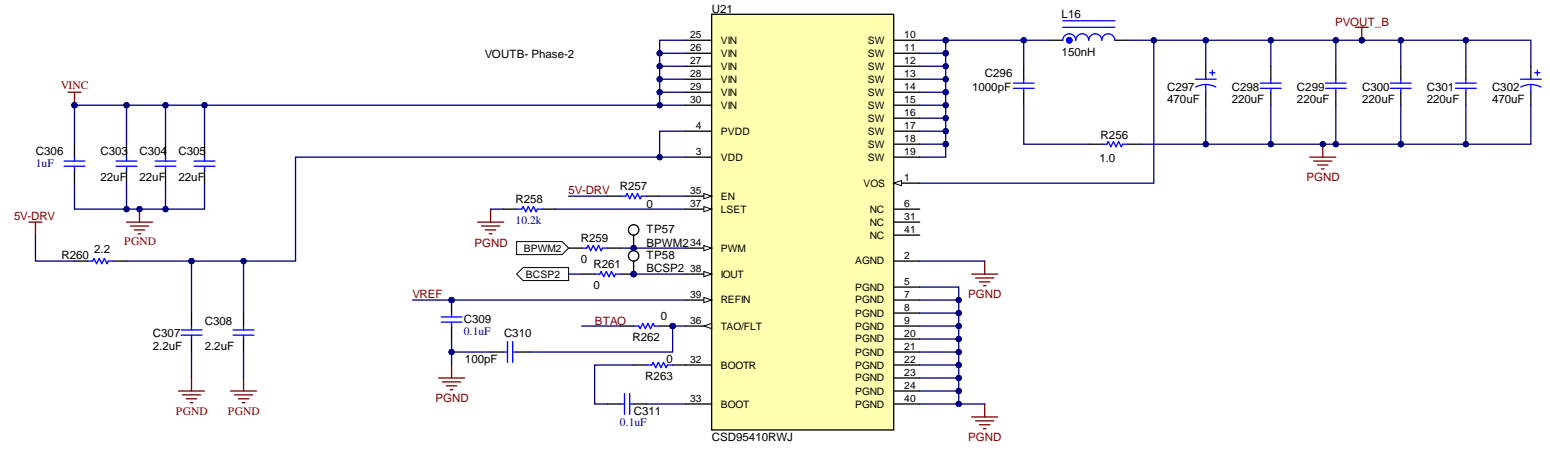
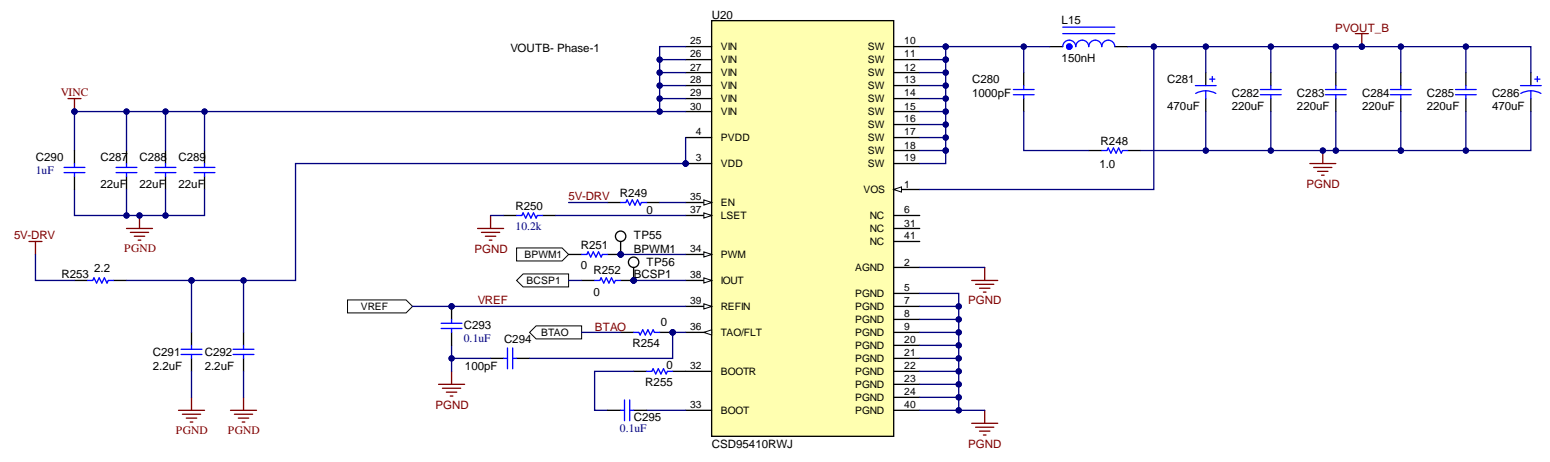




Texas Instruments and/or its licensors do not warrant the accuracy or completeness of this specification or any information contained therein. Texas Instruments and/or its licensors do not warrant that this design will meet the specifications, will be suitable for your application or fit for any particular purpose, or will operate in an implementation. Texas Instruments and/or its licensors do not warrant that the design is production worthy. You should completely validate and test your design implementation to confirm the system functionality for your application.

Orderable: TPSS36C7EVM-051	Designed for: Public Release	Mod. Date: 19-06-2020
TID #: N/A	Project Title: BMC051A	
Number: BMC051A	Rev: A	Sheet Title:
SVN Rev: Not in version control	Assembly Variant: 001	Sheet: 7 of 12
Drawn By:	File: BMC051A_VOUT_A_Phases 10to12.SchDoc	Size: B
Engineer: Pamidi, Ramasiddaiah	Contact: http://www.ti.com/support	



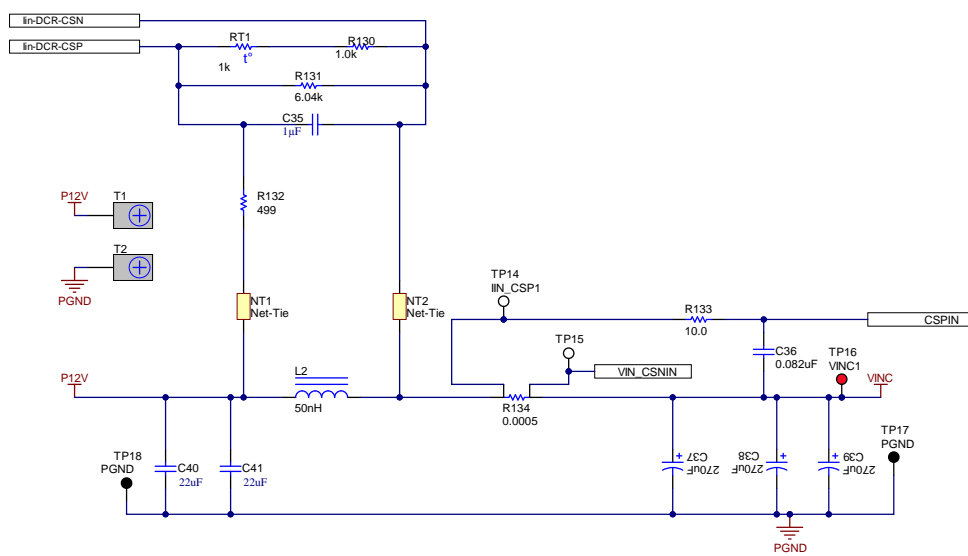


Texas Instruments and/or its licensors do not warrant the accuracy or completeness of this specification or any information contained therein. Texas Instruments and/or its licensors do not warrant that this design will meet the specifications, will be suitable for your application or fit for any particular purpose, or will operate in an implementation. Texas Instruments and/or its licensors do not warrant that the design is production worthy. You should completely validate and test your design implementation to confirm the system functionality for your application.

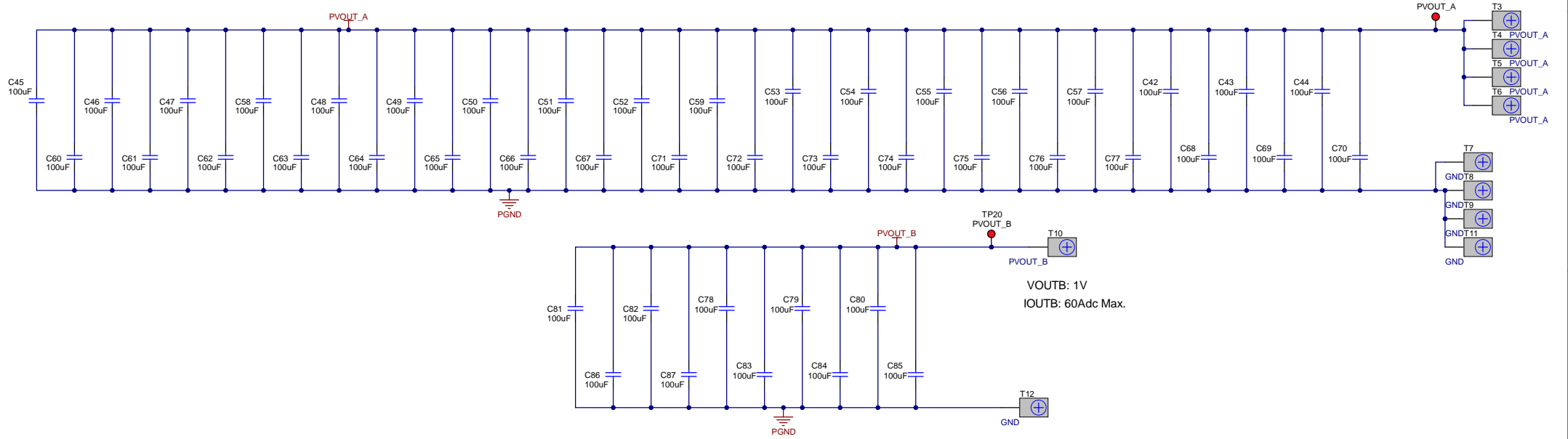
Orderable: TPSS36C7EVM-051	Designed for: Public Release	Mod. Date: 19-06-2020
TID #: N/A	Project Title: BMC051A	
Number: BMC051A	Rev: A	Sheet Title:
	Assembly Variant: 001	Sheet 8 of 12
Drawn By:	File: BMC051A_VOUT_B_Phases 1-2.SchDoc	Size: B
Engineer: Pamidi, Ramasiddaiah	Contact: http://www.ti.com/support	



© Texas Instruments 2019



VOUTA: 0.88V
IOUTA: 400Adc Max.

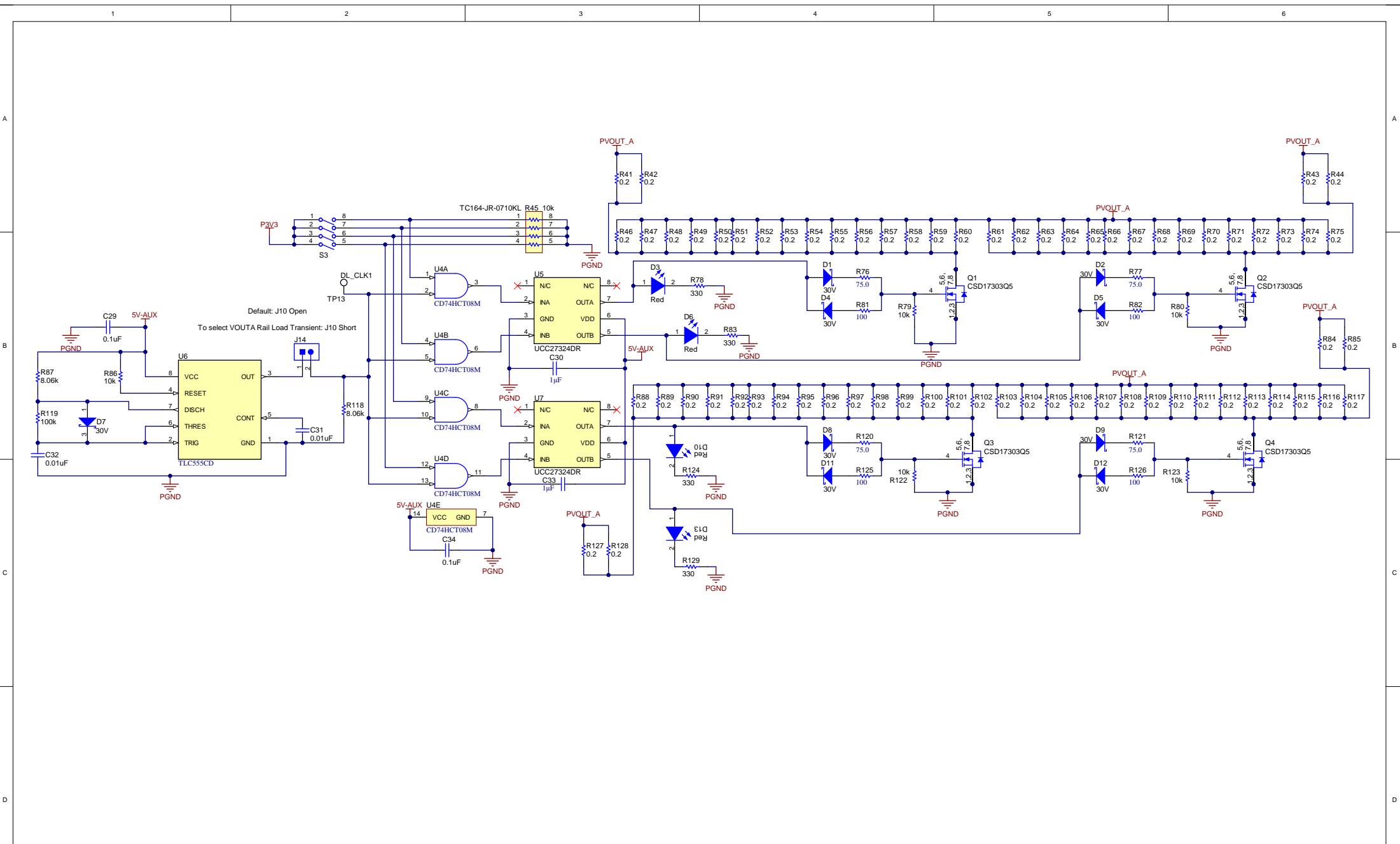


VOUTB: 1V
IOUTB: 60Adc Max.

Orderable: TPSS36C7EVM-051	Designed for: Public Release	Mod. Date: 19-06-2020
TID #: N/A	Project Title: BMC051A	
Number: BMC051A	Rev: A	Sheet Title:
SVN Rev: Not in version control	Assembly Variant: 001	Sheet 9 of 12
Drawn By:	File: BMC051A_Filters_SchDoc	Size: B
Engineer: Pamidi, Ramasiddaiah	Contact: http://www.ti.com/support	http://www.ti.com

Texas Instruments and/or its licensors do not warrant the accuracy or completeness of this specification or any information contained therein. Texas Instruments and/or its licensors do not warrant that this design will meet the specifications, will be suitable for your application or fit for any particular purpose, or will operate in an implementation. Texas Instruments and/or its licensors do not warrant that the design is production worthy. You should completely validate and test your design implementation to confirm the system functionality for your application.



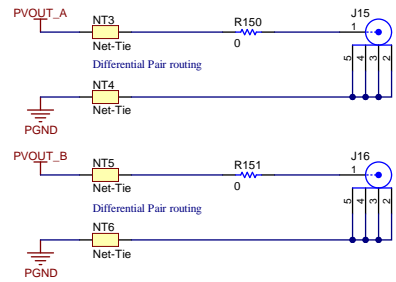
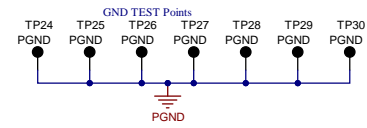
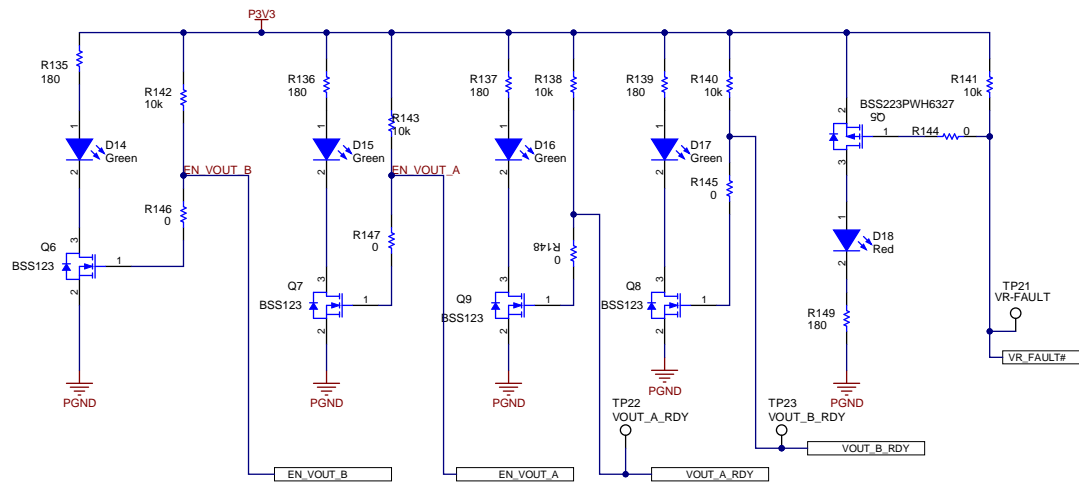


Default: J10 Open
To select VOUTA Rail Load Transient: J10 Short

Orderable: TPSS36C7EVM-051	Designed for: Public Release	Mod. Date: 19-06-2020
TID #: N/A	Project Title: BMC051A	
Number: BMC051A	Rev: A	Sheet Title:
SVN Rev: Not in version control	Assembly Variant: 001	Sheet 10 of 12
Drawn By:	File: BMC051A_Dynamic Load_SchDoc	Size: B
Engineer: Pamidi, Ramasiddaiah	Contact: http://www.ti.com/support	http://www.ti.com

Texas Instruments and/or its licensors do not warrant the accuracy or completeness of this specification or any information contained therein. Texas Instruments and/or its licensors do not warrant that this design will meet the specifications, will be suitable for your application or fit for any particular purpose, or will operate in an implementation. Texas Instruments and/or its licensors do not warrant that the design is production worthy. You should completely validate and test your design implementation to confirm the system functionality for your application.



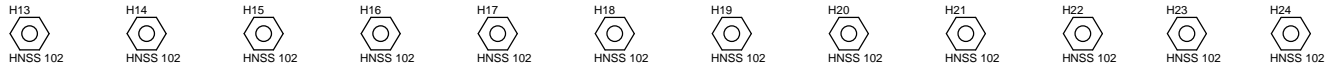
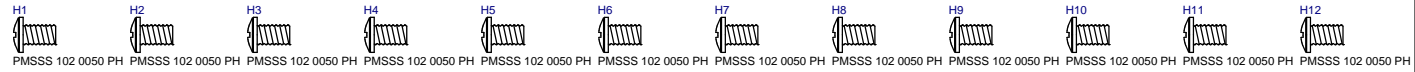


Texas Instruments and/or its licensors do not warrant the accuracy or completeness of this specification or any information contained therein. Texas Instruments and/or its licensors do not warrant that this design will meet the specifications, will be suitable for your application or fit for any particular purpose, or will operate in an implementation. Texas Instruments and/or its licensors do not warrant that the design is production worthy. You should completely validate and test your design implementation to confirm the system functionality for your application.

Orderable: TPSS36C7EVM-051	Designed for: Public Release	Mod. Date: 19-06-2020
TID #: N/A	Project Title: BMC051A	
Number: BMC051A	Rev: A	Sheet Title:
SVN Rev: Not in version control	Assembly Variant: 001	Sheet: 11 of 12
Drawn By:	File: BMC051A_HelperCkts and Indicators.SchDoc	Size: B
Engineer: Pamidi, Ramasiddaiah	Contact: http://www.ti.com/support	http://www.ti.com



1 2 3 4 5 6



PCB Number: BMC051A
PCB Rev: BMC051A
!PCB1

PCB LOGO
Texas Instruments



PCB LOGO
FCC disclaimer

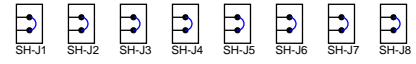
PCB LOGO
WEEE logo



CAUTION HOT SURFACE



CAUTION HOT TEMPERATURE



ZZ1

Assembly Note

These assemblies are ESD sensitive, ESD precautions shall be observed.

ZZ2

Assembly Note

These assemblies must be clean and free from flux and all contaminants. Use of no clean flux is not acceptable.

ZZ3

Assembly Note

These assemblies must comply with workmanship standards IPC-A-610 Class 2, unless otherwise specified.

Orderable: TPSS36C7EVM-051	Designed for: Public Release	Mod. Date: 19-06-2020
TID #: N/A	Project Title: BMC051A	
Number: BMC051A	Rev: A	Sheet Title:
SVN Rev: Not in version control	Assembly Variant: 001	Sheet: 12 of 12
Drawn By:	File: BMC051A_Hardware_Sch.Doc	Size: B
Engineer: Pamidi, Ramasiddaiah	Contact: http://www.ti.com/support	

Texas Instruments and/or its licensors do not warrant the accuracy or completeness of this specification or any information contained therein. Texas Instruments and/or its licensors do not warrant that this design will meet the specifications, will be suitable for your application or fit for any particular purpose, or will operate in an implementation. Texas Instruments and/or its licensors do not warrant that the design is production worthy. You should completely validate and test your design implementation to confirm the system functionality for your application.



© Texas Instruments, 2019

1 2 3 4 5 6