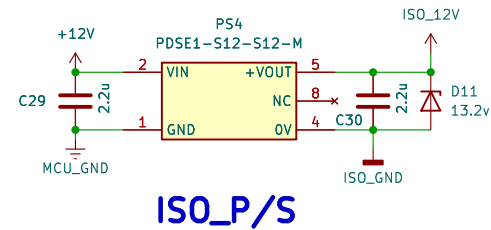
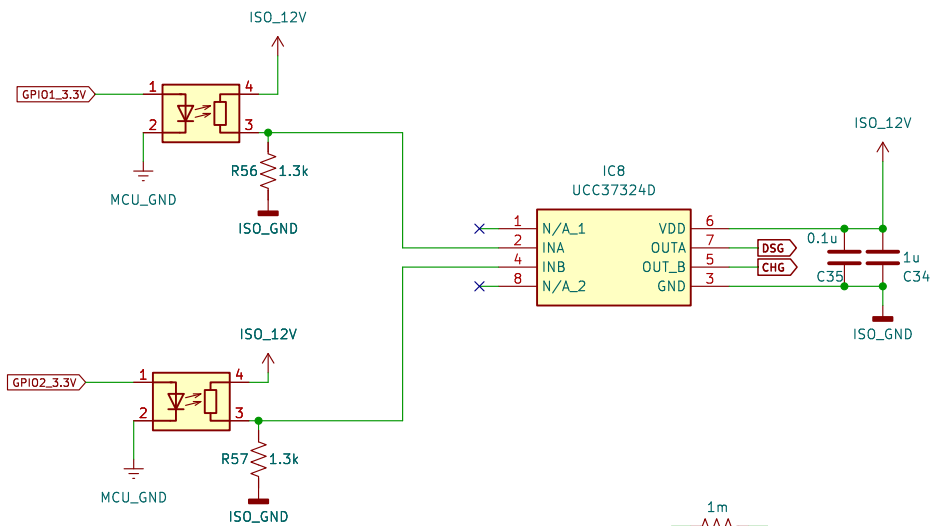


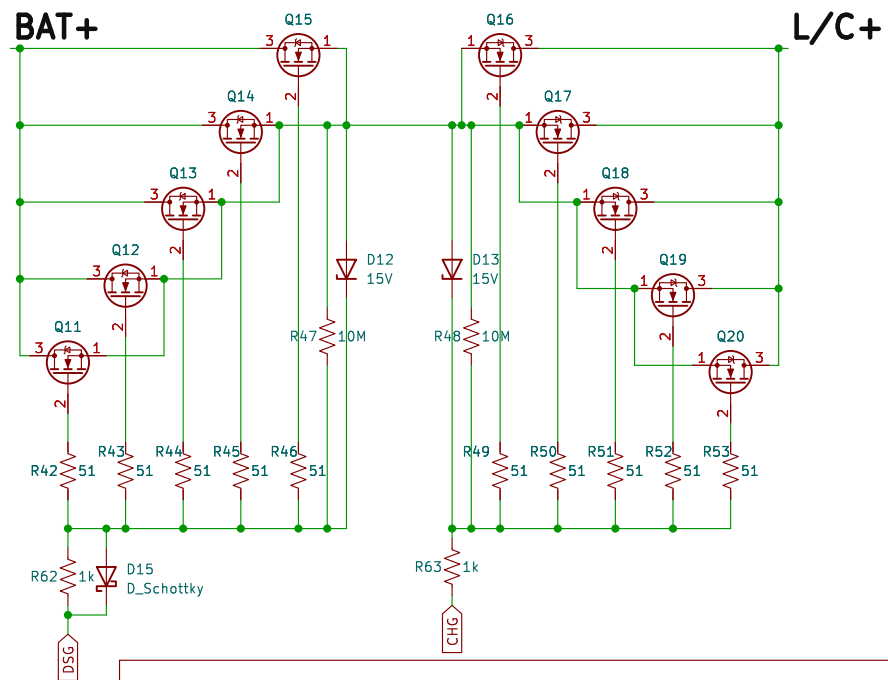
BUCK



ISO_P/S



BAT- L/C-



Sheet: /Gate_Driver/
File: untitled.kicad_sch.kicad_sch

Title:		Rev:	
Size: A4	Date:		
KiCad E.D.A. kicad 7.0.5		Id: 3/3	