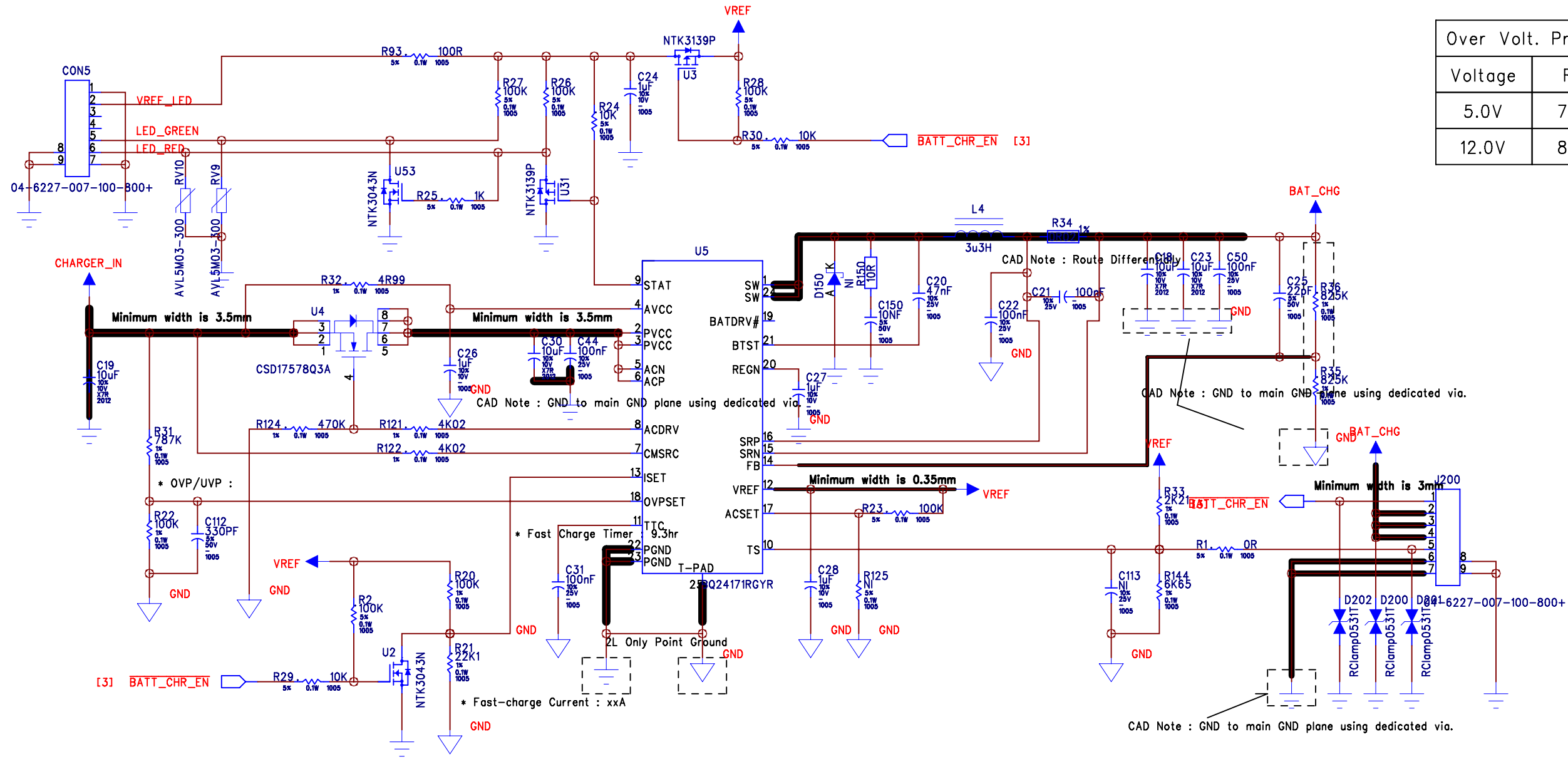


CHARGER

Feedback Resistor Divider Config.		
CELL	R36	R36
4.20V	825K	825K
4.35V	887K	825K
4.40V	910K	825K
* $V_{BAT} = (1 + (R_u/R_d)) \times 2.1V$		

Over Volt. Protection Configuration		
Voltage	R36	R22
5.0V	787K	100K
12.0V	820K	100K



APPROVALS	COMPANY:			
DRAWN BY:	TITLE: CHARGER			
CHECKED BY:	CODE: -	SIZE: A3	MODEL NAME:	REV: REV01
APPROVED BY:	Date: 2018-02-24	SHEET:	3 OF 8	