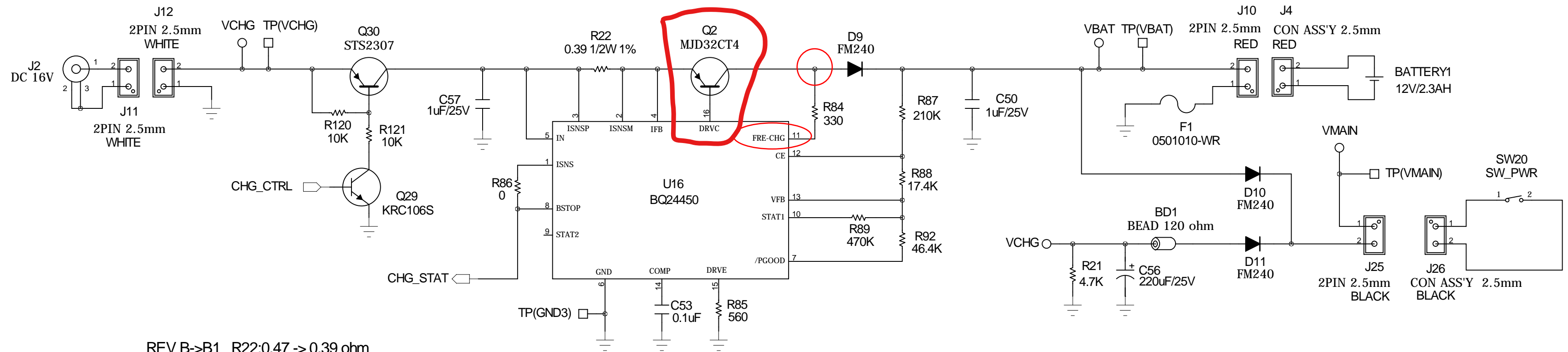
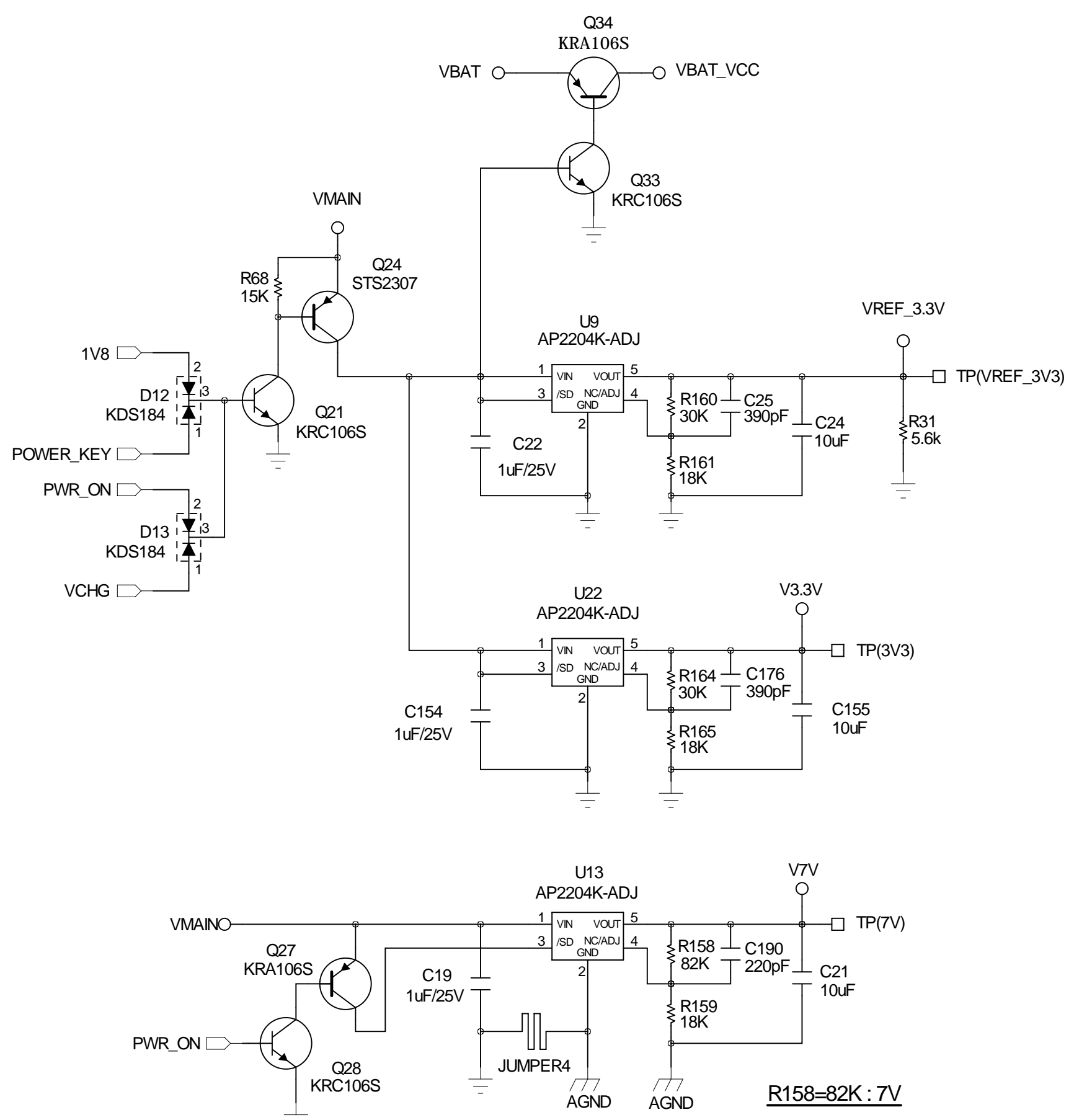


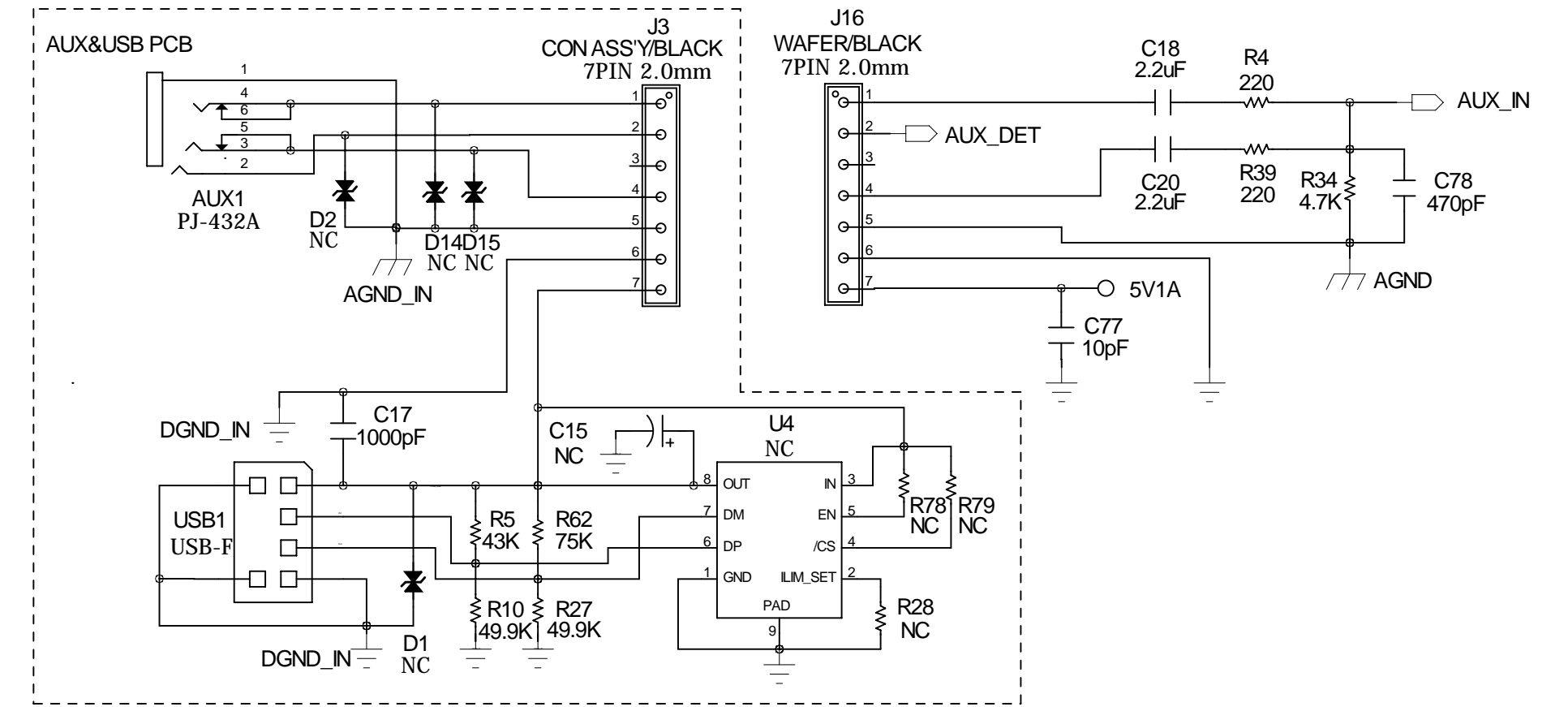
BATTERY CHARGING



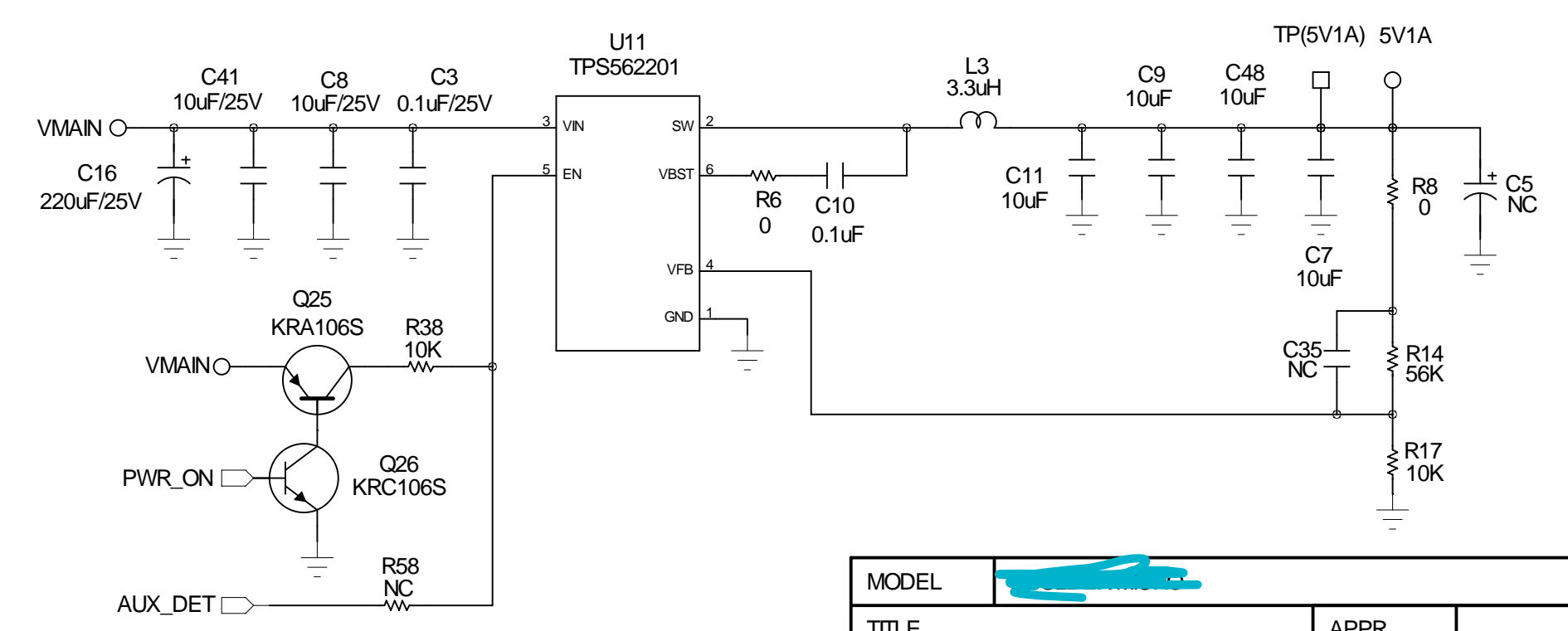
REV B->B1 R22:0.47 -> 0.39 ohm



R158=82K : 7V



5V 1A OUTPUT



REV.0 -> A: ADD R58

|       |            |       |             |
|-------|------------|-------|-------------|
| MODEL | [REDACTED] |       |             |
| TITLE | [REDACTED] |       | APPR.       |
|       |            |       | CHECK.      |
| REV.  | B1         | DATE  | 08 DEC 2017 |
|       |            | SHEET | 3 OF 5      |