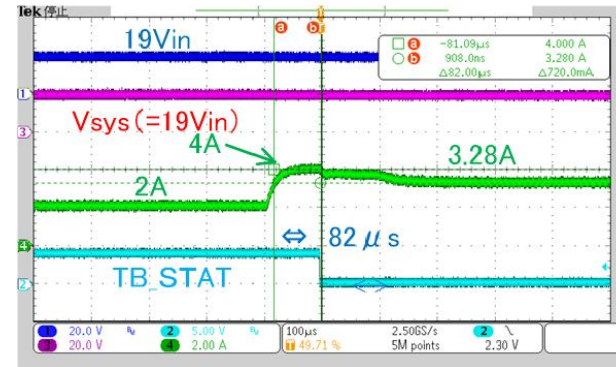
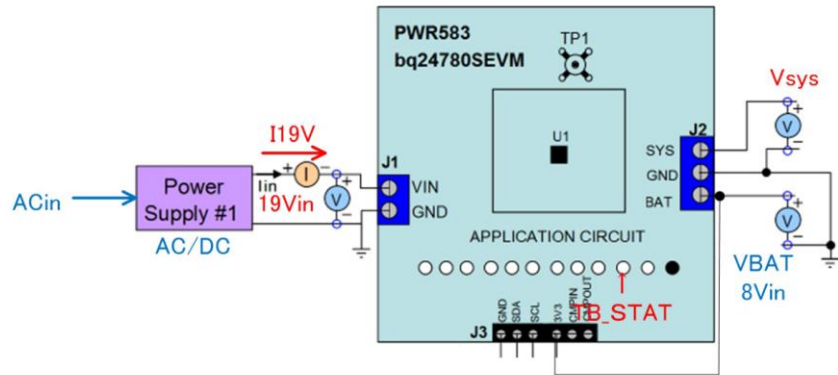
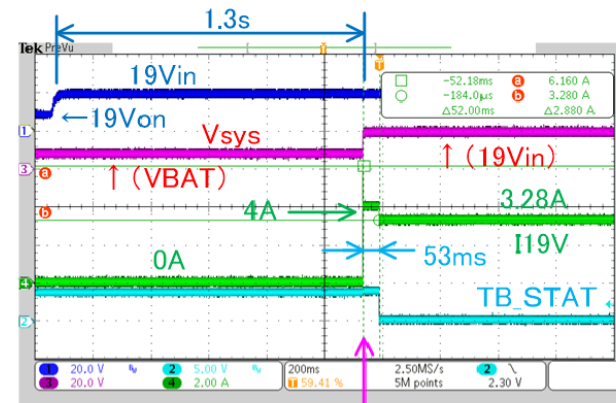


# BQ24780 Hybrid Power Boost



① Input ; 19Vin  
 Current(19V)=3.07A  
 $3.07 \times 1.07 = 3.28A$   
 → TB\_STAT: 82 μs



② BAT → 19Vin  
 Current(19V)=3.07A  
 $3.07 \times 1.07 = 3.28A$   
 → TB\_STAT: 53ms

Expansion

