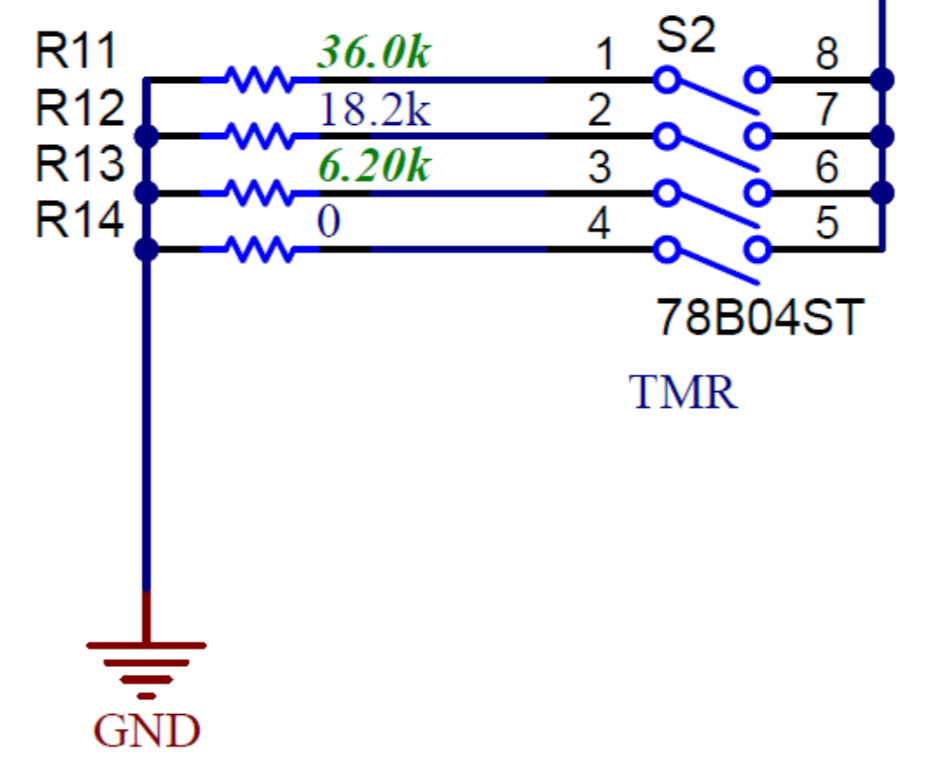


VSET Table - BQ25172

RX / Value	NiMH Configuration
R1 / 27k	2-Cell + Intermittent
R2 / 24k	3-Cell
R3 / 18k	3-Cell + Intermittent
R4 / 11k	4-Cell + Intermittent
R5 / 6.2k	5-Cell + Intermittent
R6 / 4.7k	6-Cell
R7 / 3.6k	6-Cell + Intermittent
R8 / 0 ohm	Short Circuit -- No Charge



TMR Table - BQ25172

RX / Value	Charge Timer (HR)
R11 / 36k	4hr
R12 / 18.2k	10hr
R13 / 6.2k	18hr
R14 / 0	No Charge (Short-Circuit)