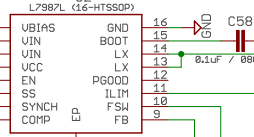


MOLEX\_10-32-1031

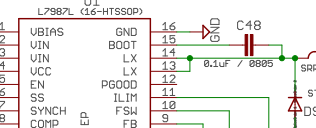
24VAC Input

J1-3 GDT 90V 30% 2KA

### 24 volt Power Supply



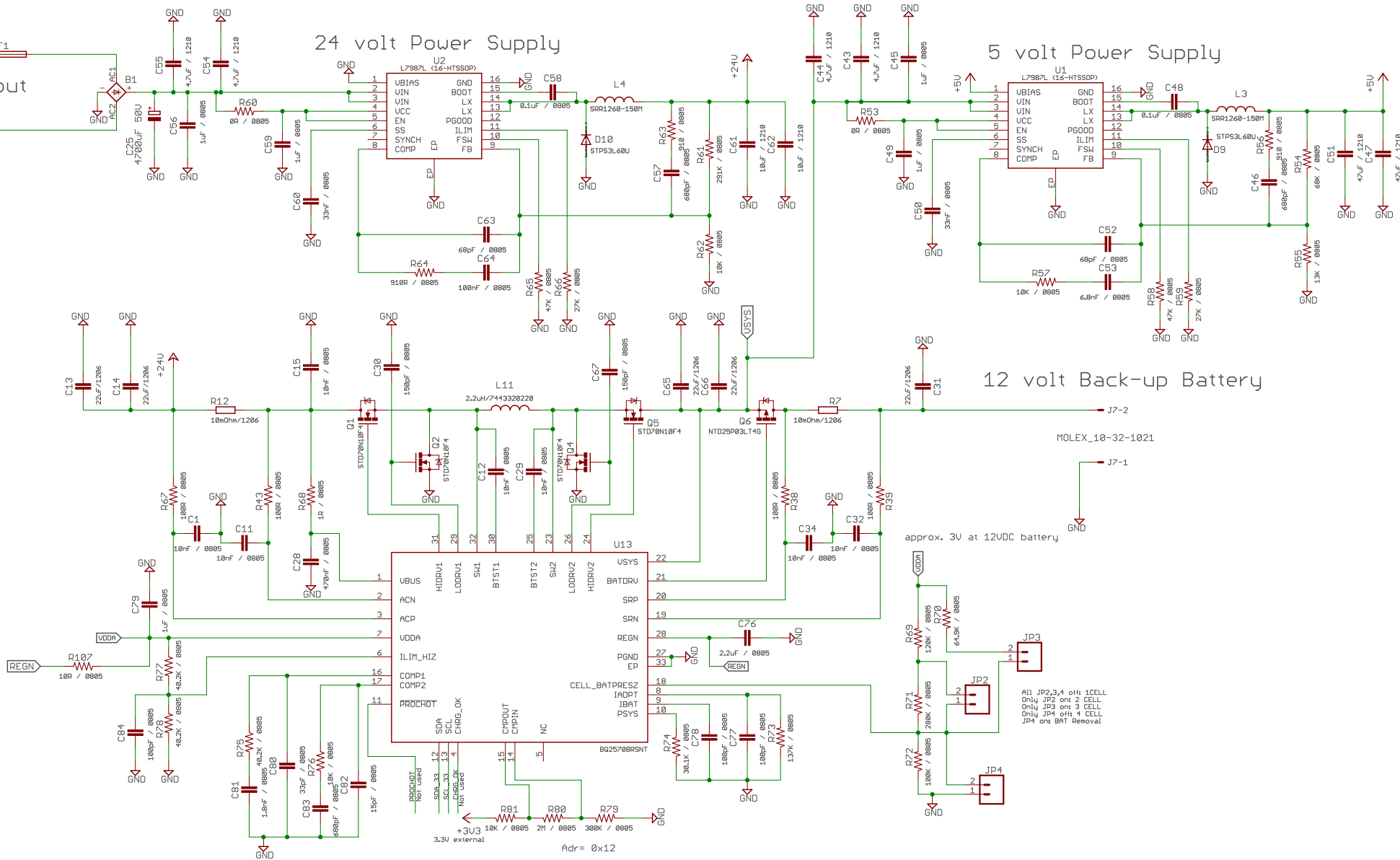
### 5 volt Power Supply



### 12 volt Back-up Battery

approx. 3V at 12VDC battery

All JP2,3,4 off: 1CELL  
 On: 2 CELL  
 On: 3 CELL  
 On: 4 CELL  
 JP4 on: BAT Removal



Adr = 0x12