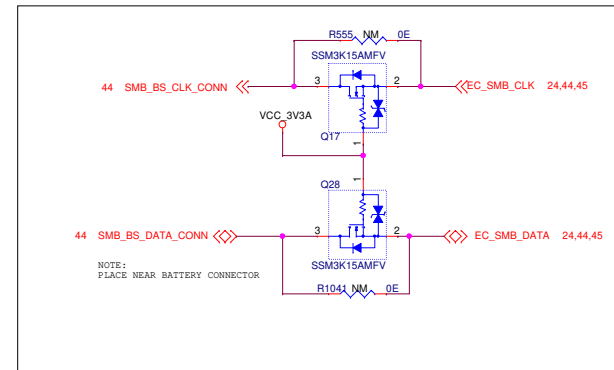
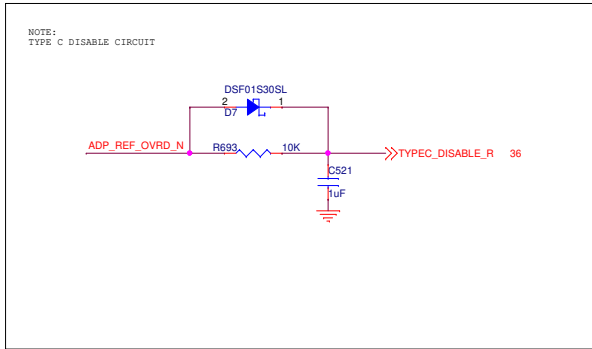
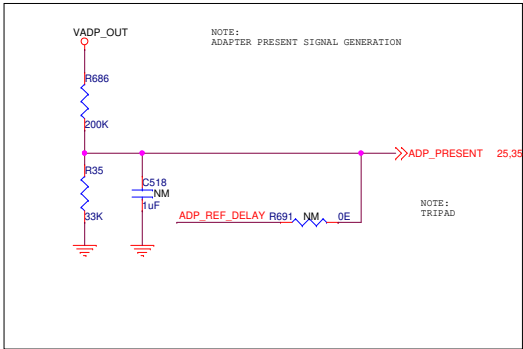
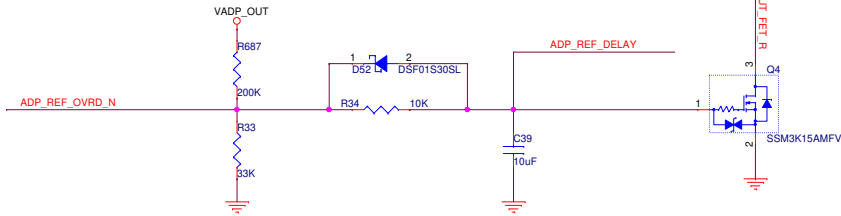
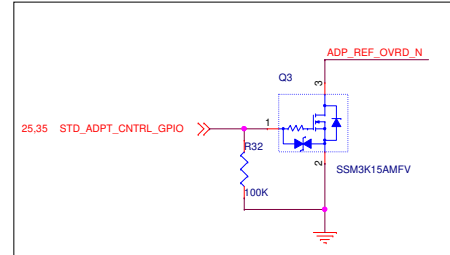
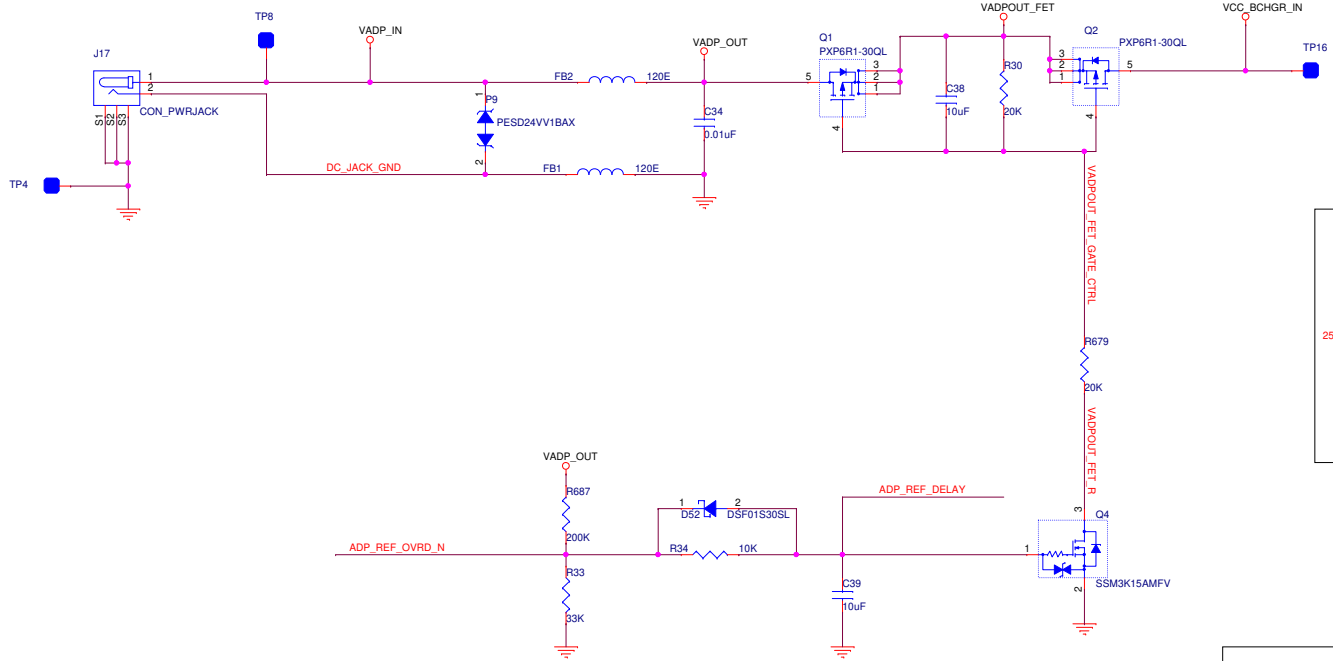


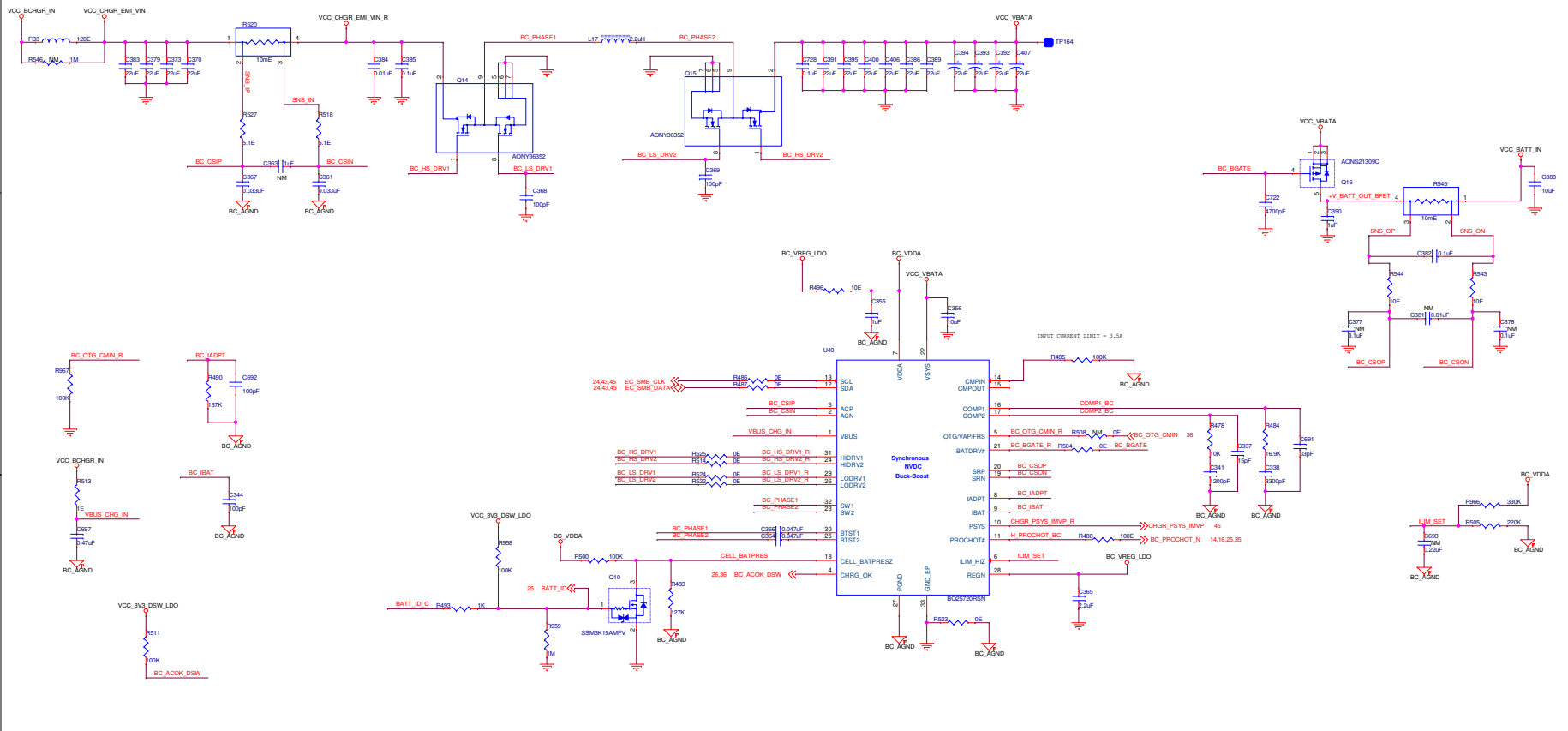
DC_JACK



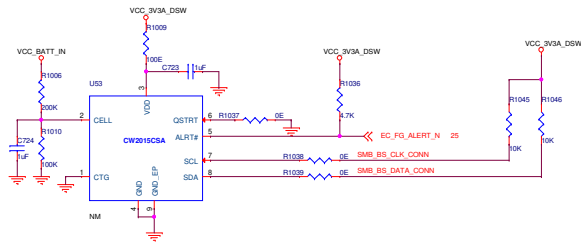
ALDERLAKE LAPTOP

	A3	Title : DC JACK	Rev: A2
	Fab No : 501-1-02897		Sheet 43 of 60
	Asy No : 701-1-03418		

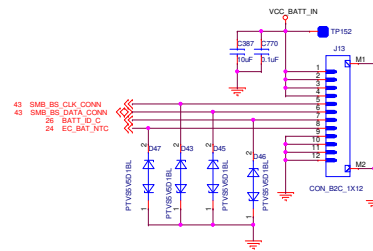
BATTERY CHARGER SECTION



FUEL GAUGE



BATTERY CHARGER CONN



ALDERLAKE LPTOP

	A2	Title : BATTERY CHARGER	
	Fab No : 501-1-02897		Rev: A2
	Asy No : 701-1-03418		Sheet 44 of 60