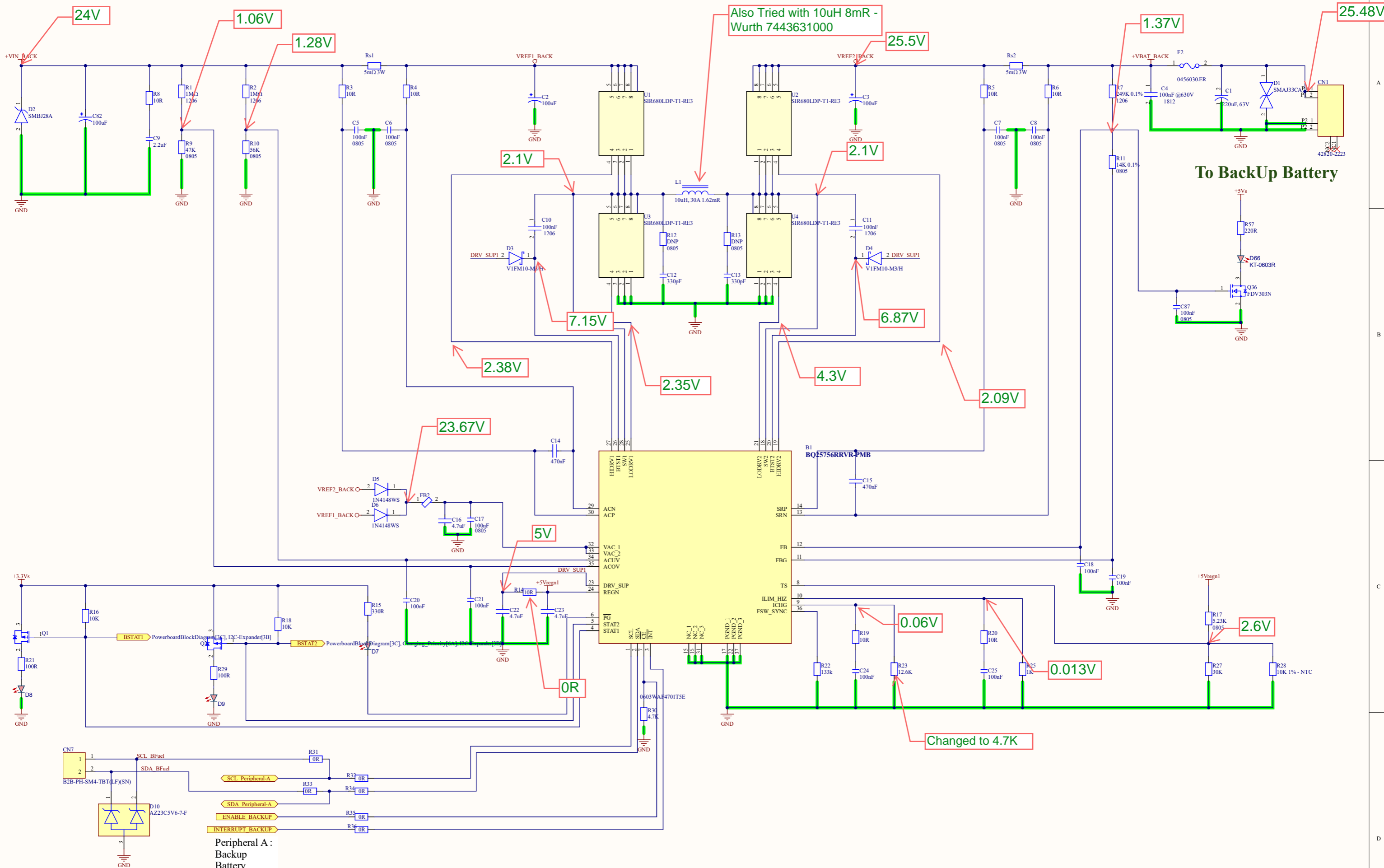


This document is the copyright of Industrial Design Consultancy Ltd and the information thereon may be the subject of a pending or granted patent. It may not be reproduced or used for any purpose other than that for which it is supplied without the written permission of Industrial Design Consultancy Ltd.



To BMS I2C Bus

Peripheral A:
Backup
Battery
Charge IC and
Fuel Gauge

idc INDUSTRIAL DESIGN CONSULTANCY LTD THE PORTLAND BUSINESS CENTRE DATCHET, SLOUGH, BERKS SL3 9EG TEL.01753 547 610 FAX.01753 549 224 INDUSTRIAL DESIGN CONSULTANCY E-MAIL CONTACT@IDC.UK.COM

TITLE: BackupCharger.SchDoc
A2 SHEET 11 OF 13 ISSUE A