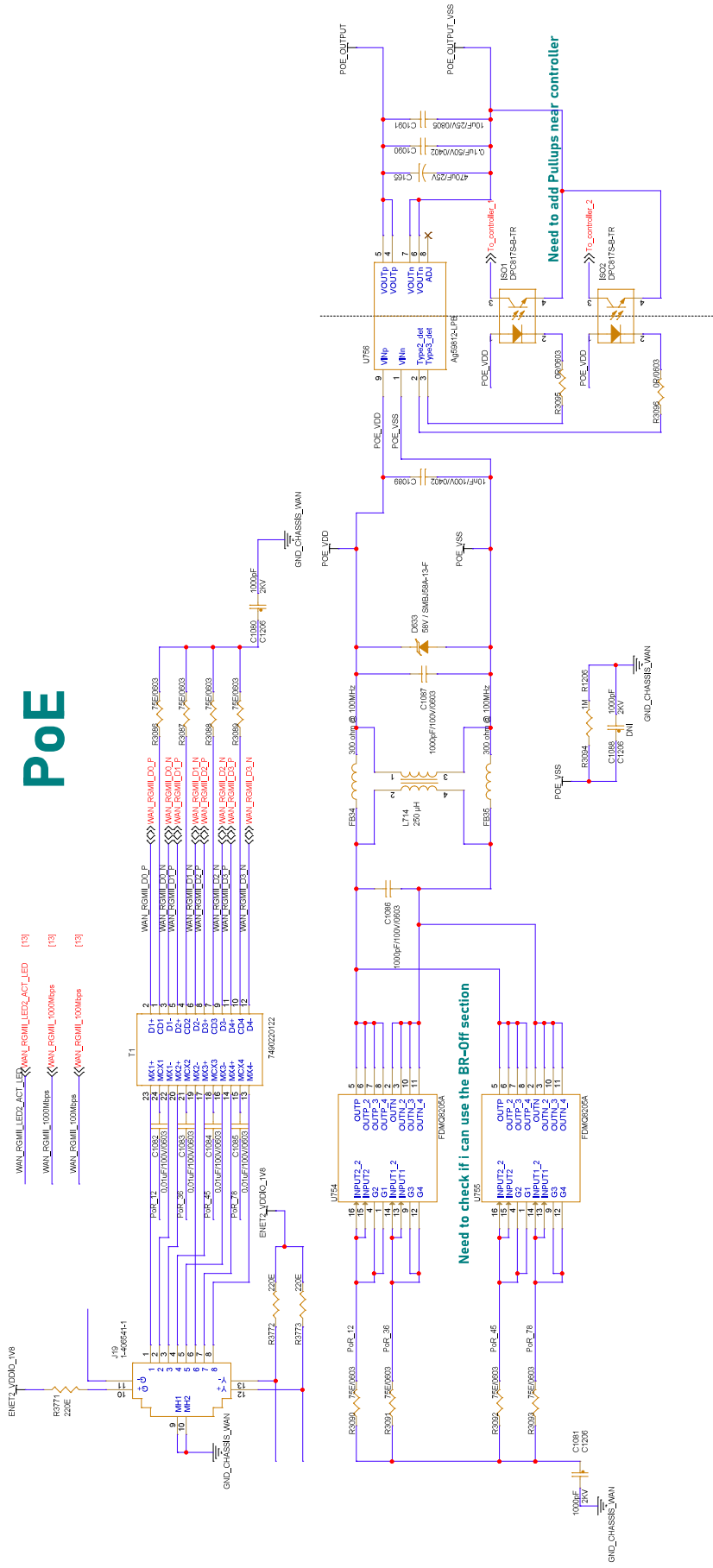


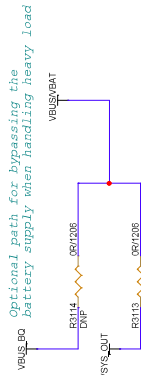
PoE

WAN_RGMIL_LED2_ACT_LED (13)
 WAN_RGMIL_100Mbps (13)
 WAN_RGMIL_100Mbps (13)



Need to check if i can use the BR-Off section

Need to add Pullups near controller



LTC4417 better for 3 input power muxing

		Kemsys Technologies Pvt. Ltd. Golden Exchare, Tower A, Third floor Hill, Old Airport Rd, Nungesh Pally, Bengaluru, Karnataka 560017, India	
Project Name:	KT_CAFE_56_ROUTER-ALPHA_SCH_REV1.01	Sheet	6 of 20
Schematic Name:	POWER SECTION	Size	C
Document Number:	<Document Number>	Rev	A
Author :	<Author Name>	Copyright Kemsys Technologies 20xx	
Date :	Wednesday, October 08, 2025		