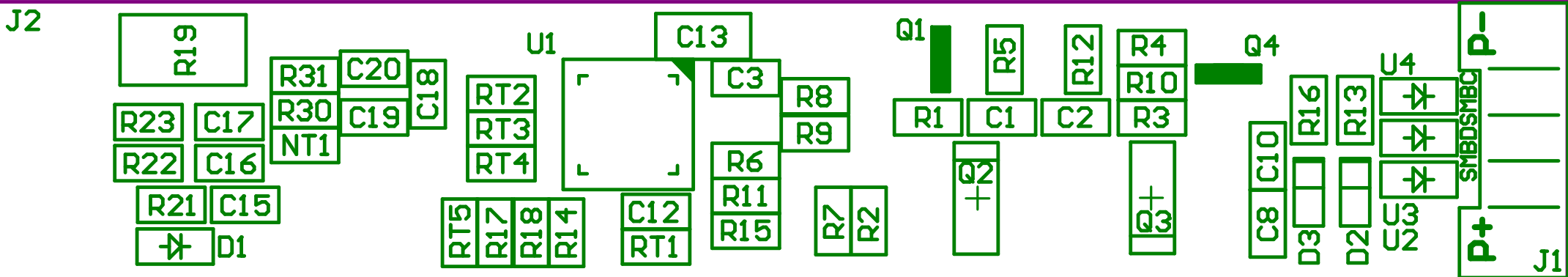
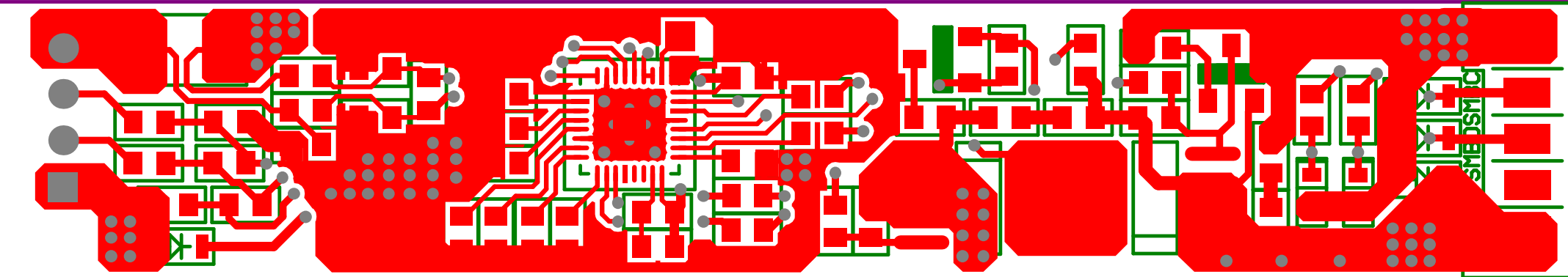


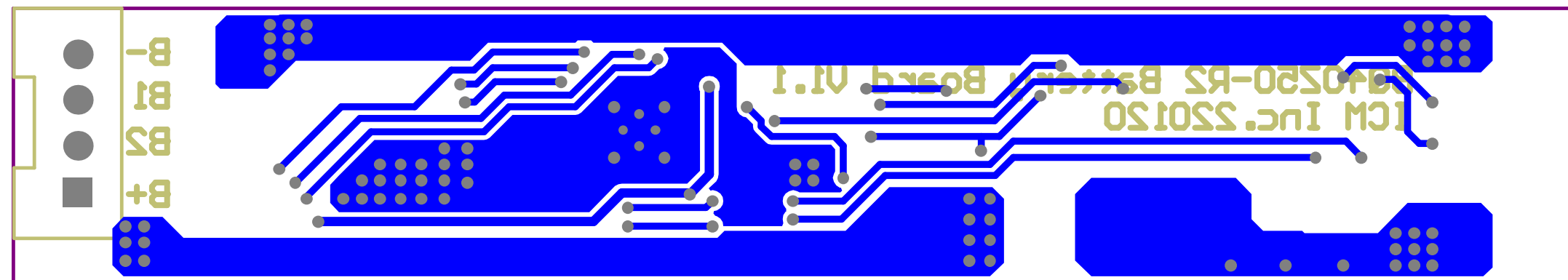
Title		
Size	Number	Revision
A3		
Date:	2022/5/22	Sheet of
File:	D:\Altium Designer 10 DATA\SCH V1	D:\sch10b



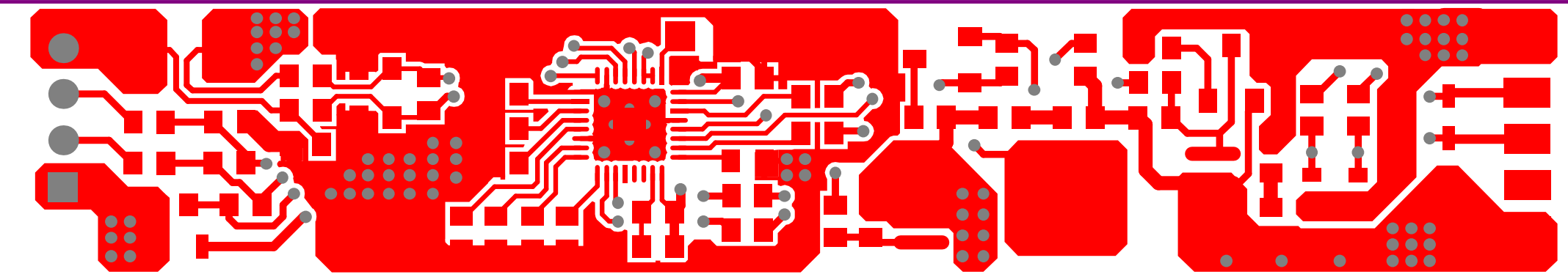
FR-4 1oz 1.0t  
 SIZE: (68.0mm\*12.0mm)



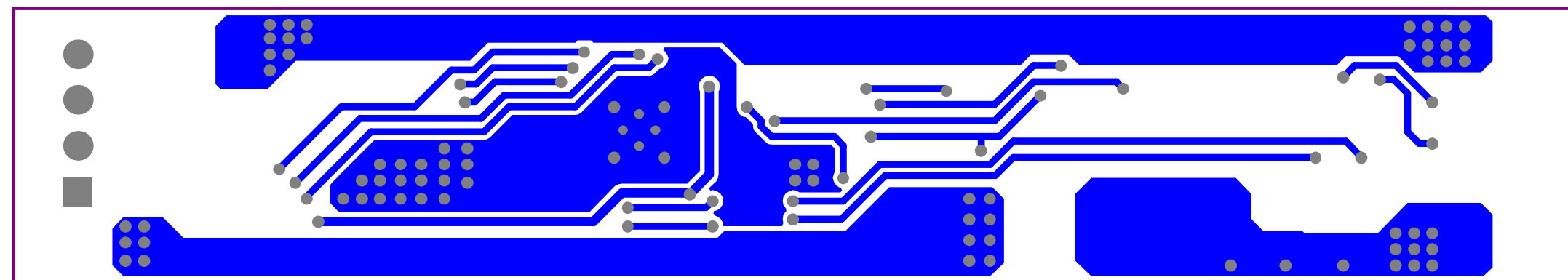
FR-4 1oz 1.0t  
SIZE: (68.0mm\*12.0mm)



FR-4 1oz 1.0t  
SIZE: (68.0mm\*12.0mm)



FR-4 1oz 1.0t  
SIZE: (68.0mm\*12.0mm)



FR-4 1oz 1.0t  
SIZE: (68.0mm\*12.0mm)