

4

3

2

1

A

B

C

D

4

3

2

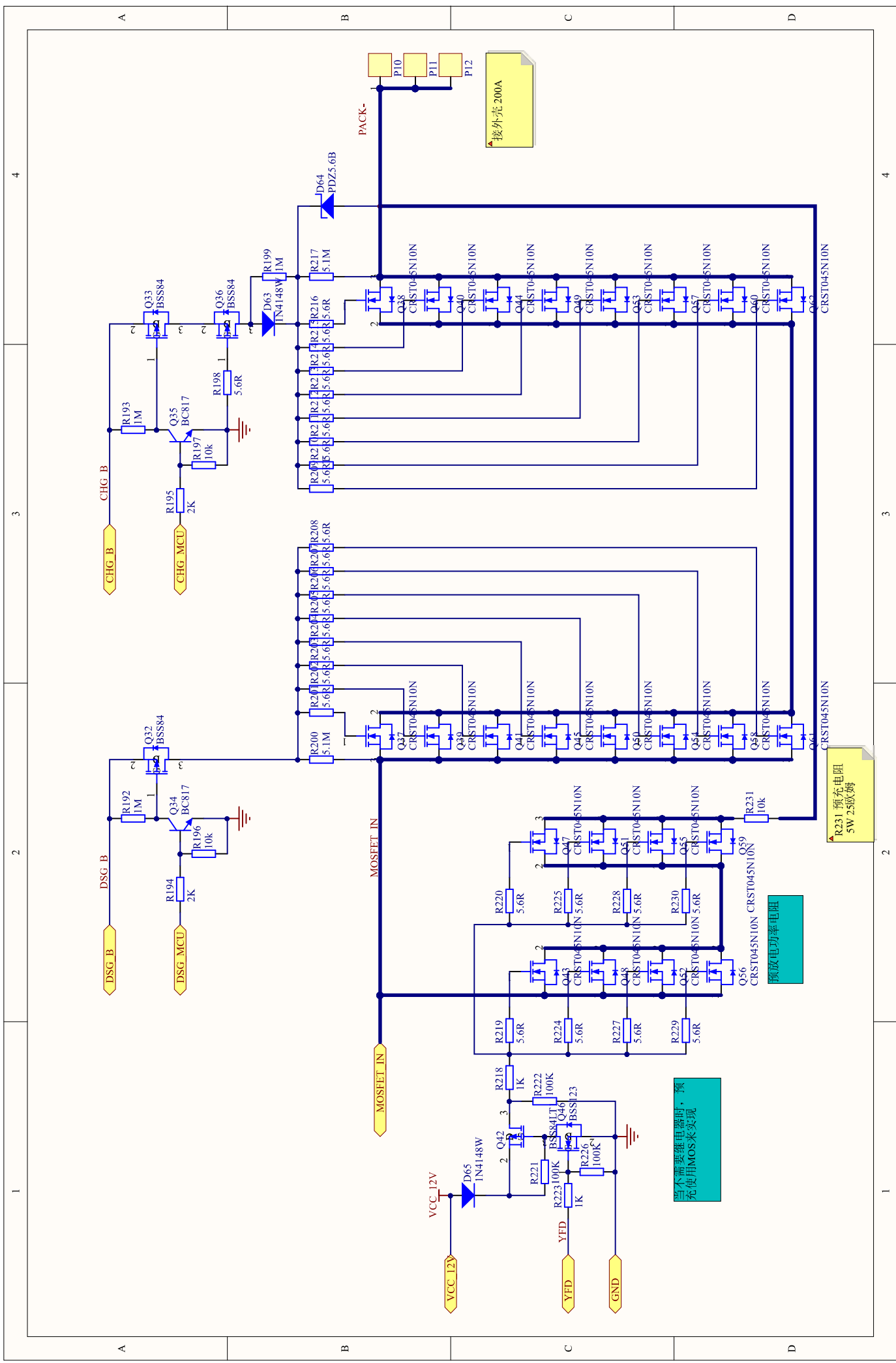
1

A

B

C

D



当不需要继电器时，预充电用MOS管来实现

预放电功率电阻

R231 预充电电阻  
5W 25欧姆

接外壳 200A

4

3

2

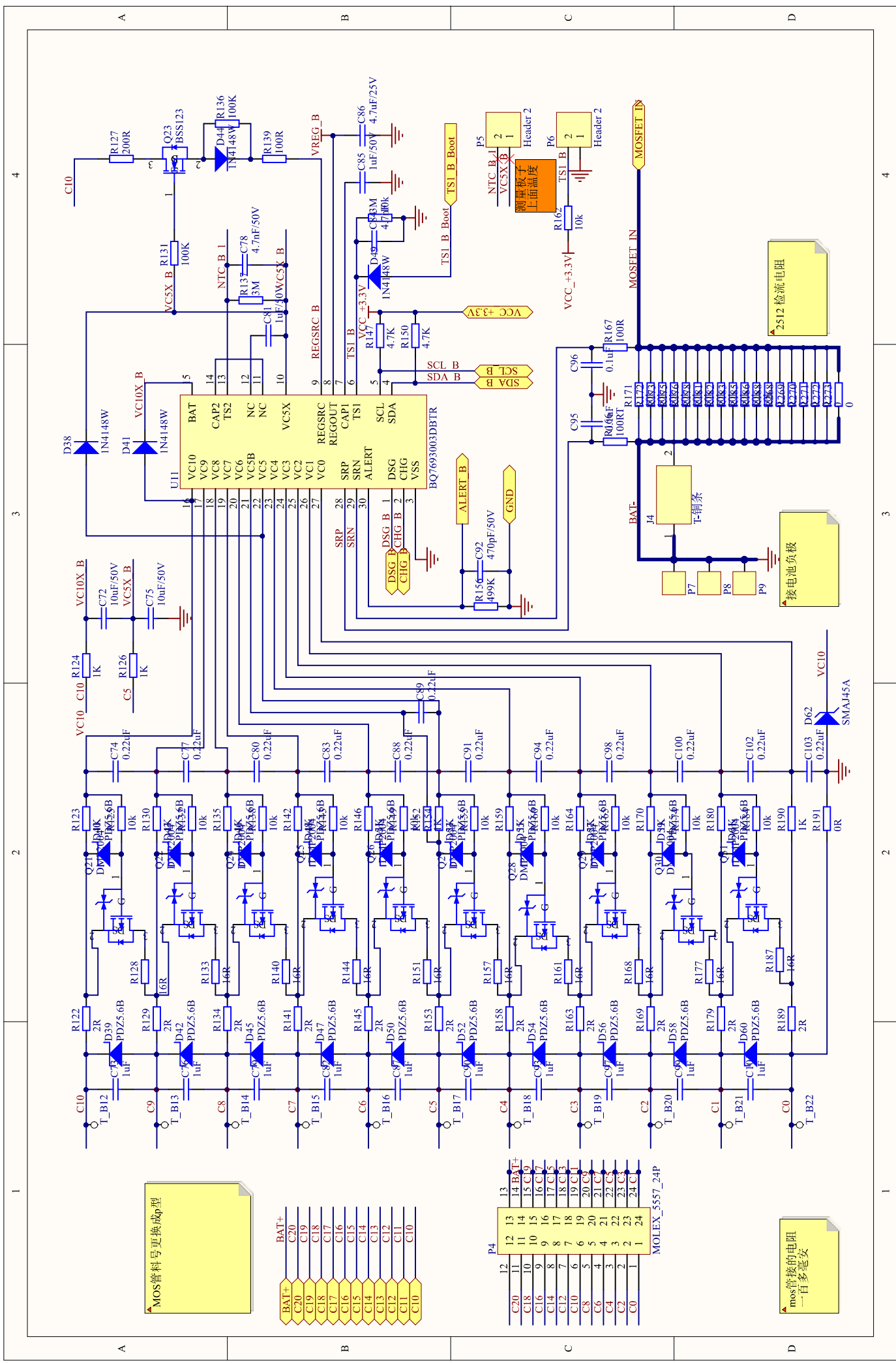
1

4

3

2

1



MOS管料号更换成p型

BAT+	C20
C19	C19
C18	C18
C17	C17
C16	C16
C15	C15
C14	C14
C13	C13
C12	C12
C11	C11
C10	C10

P4	12	13	14	BAT+
C20	11	14	14	BAT+
C18	10	15	15	C19
C16	9	16	16	C17
C14	8	17	17	C15
C12	7	18	18	C13
C10	6	19	19	C11
C8	5	20	20	C9
C6	4	21	21	C7
C4	3	22	22	C5
C2	2	23	23	C3
C0	1	24	24	C1

MOLEX\_5557\_24P

mos管接的电阻  
一百多毫安

2512 检流电阻

接电池负极

4

3

2

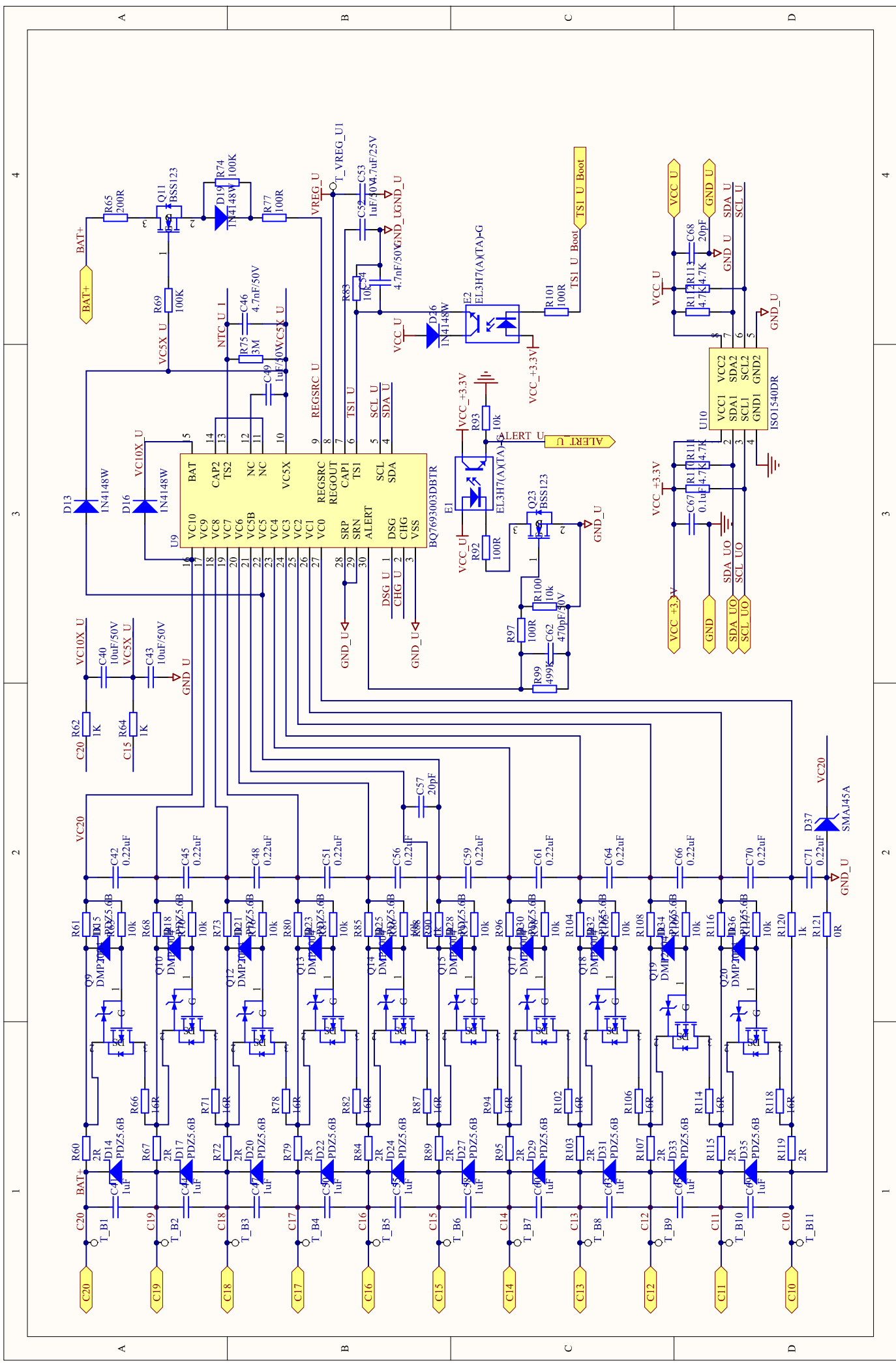
1

4

3

2

1



4

3

2

1

A

B

C

D

A

B

C

D

4

3

2

1