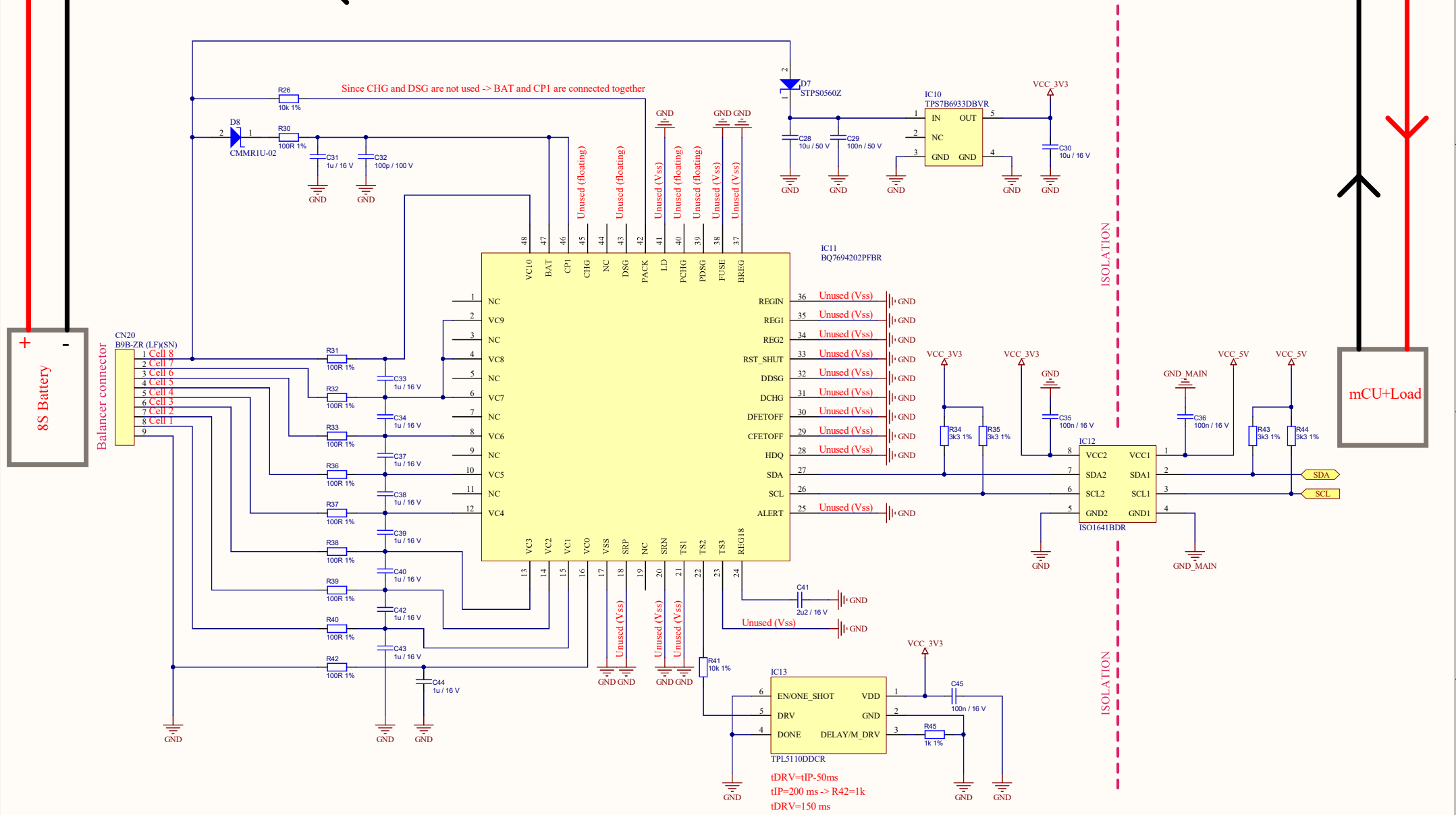


Positive power wire

Negative power wire



Since CHG and DSG are not used -> BAT and CP1 are connected together

ISOLATION

ISOLATION