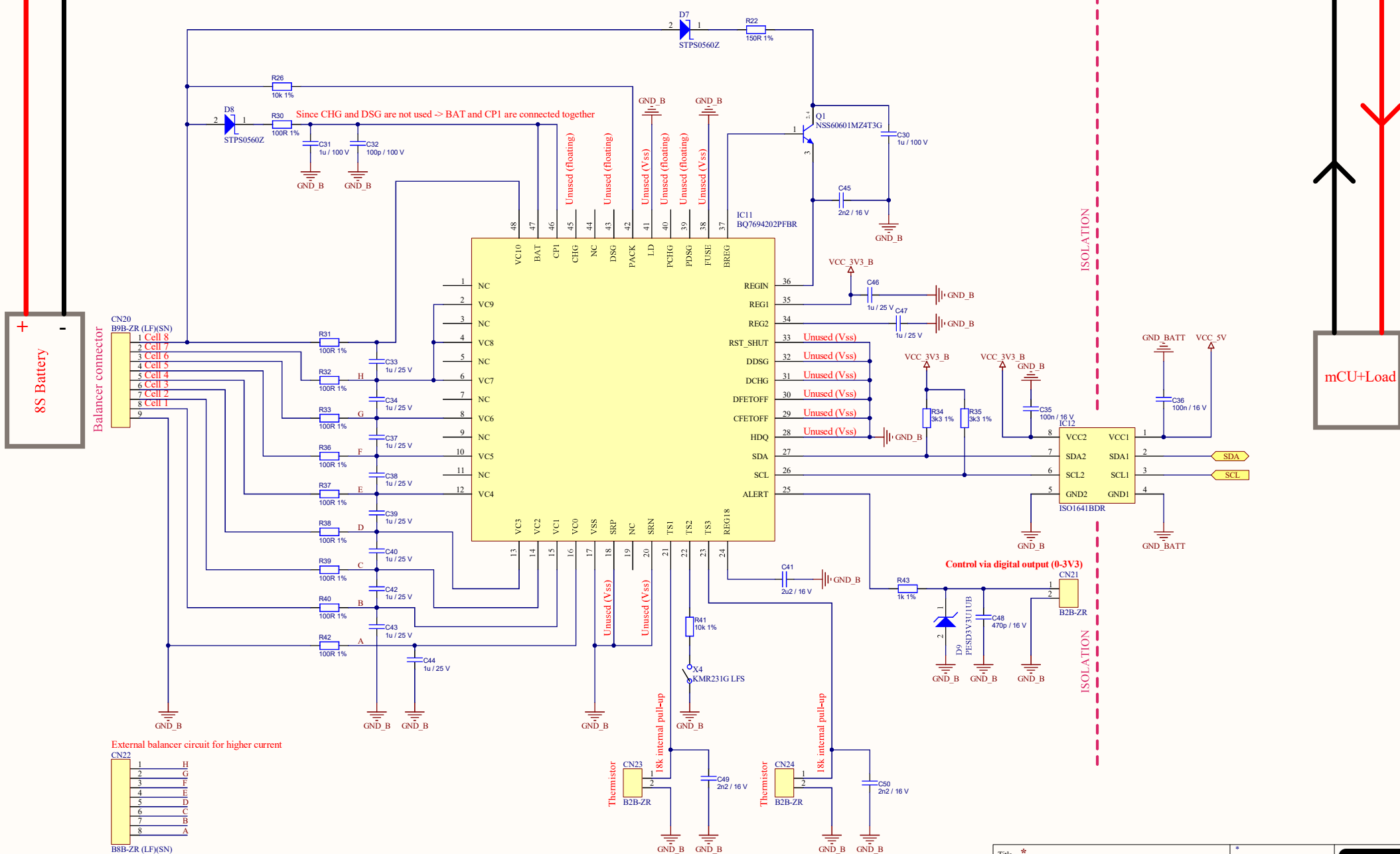


Positive power wire

Negative power wire



Since CHG and DSG are not used -> BAT and CP1 are connected together

Control via digital output (0-3V3)

ISOLATION

ISOLATION

mCU+Load

External balancer circuit for higher current

